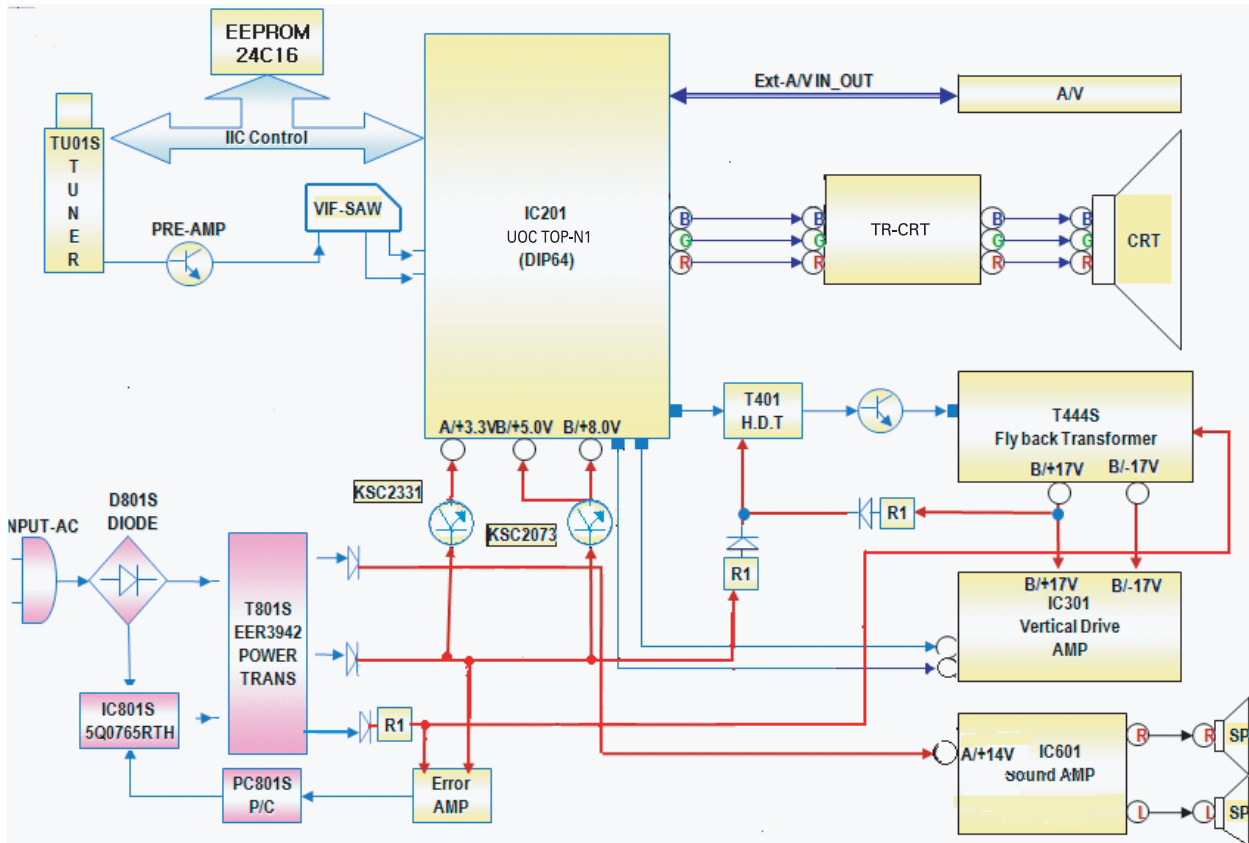


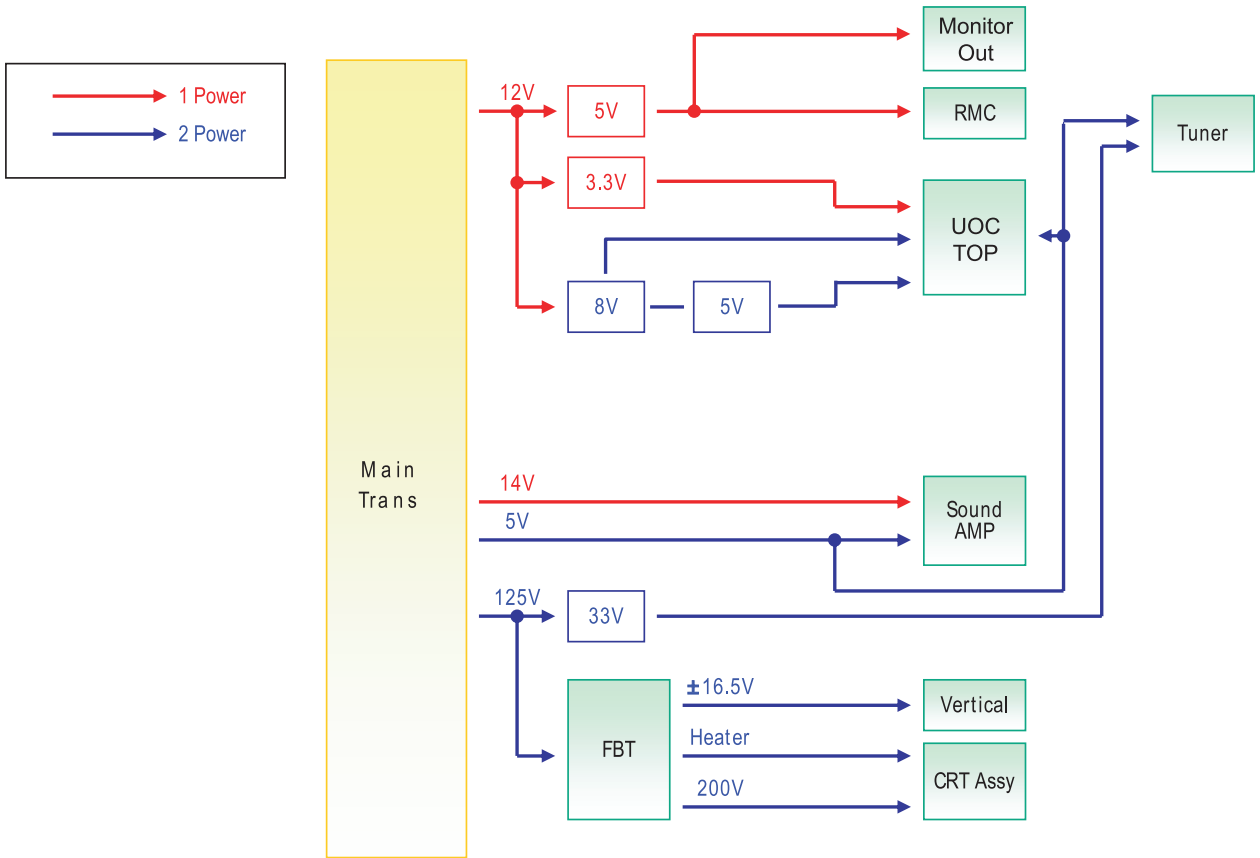
7. Schematic Diagram

7-1 Circuit Description

7-1-1 Overall Block Description

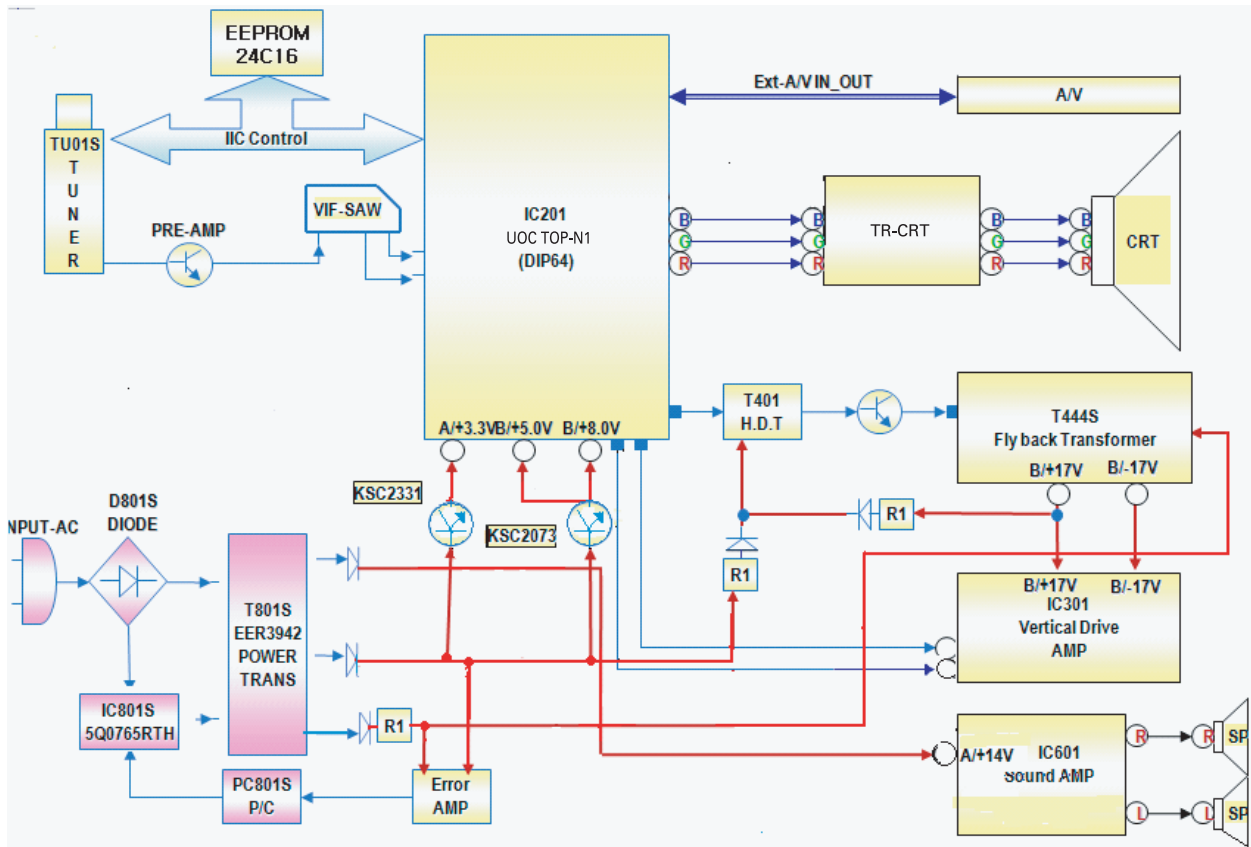


7-1-2 Power Signal



7-1-3 Partial Block Diagram

1. Main Block Description



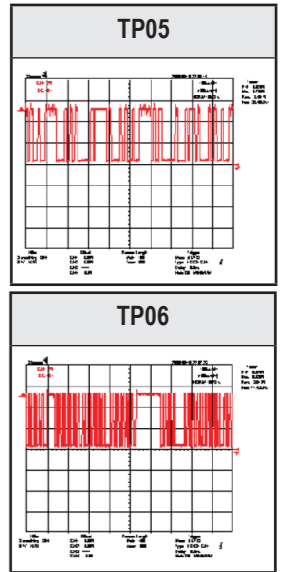
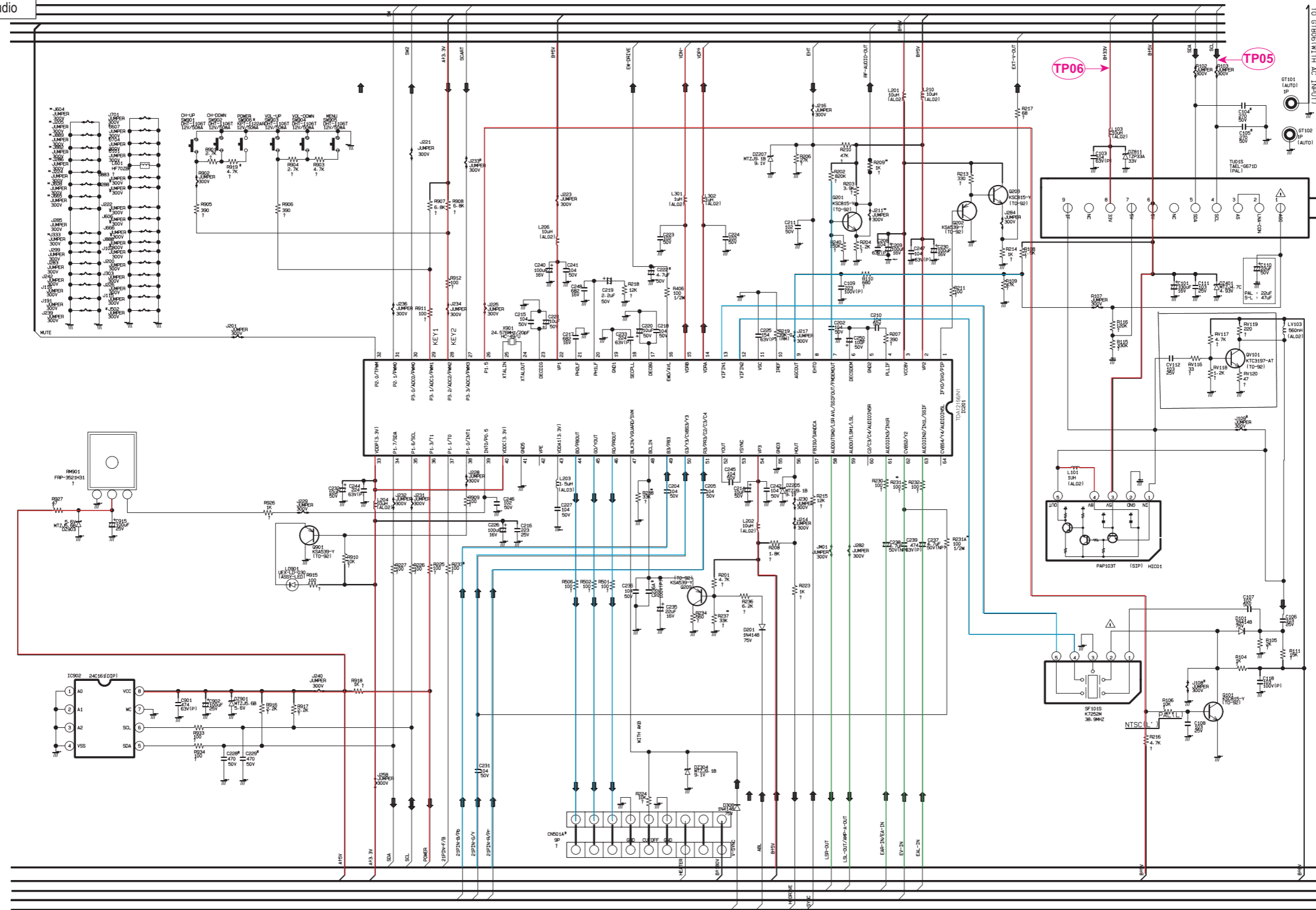
MEMO

7-2 Schematic Diagram

7-2-1 Main Board

This Document can not be used without Samsung's authorization.

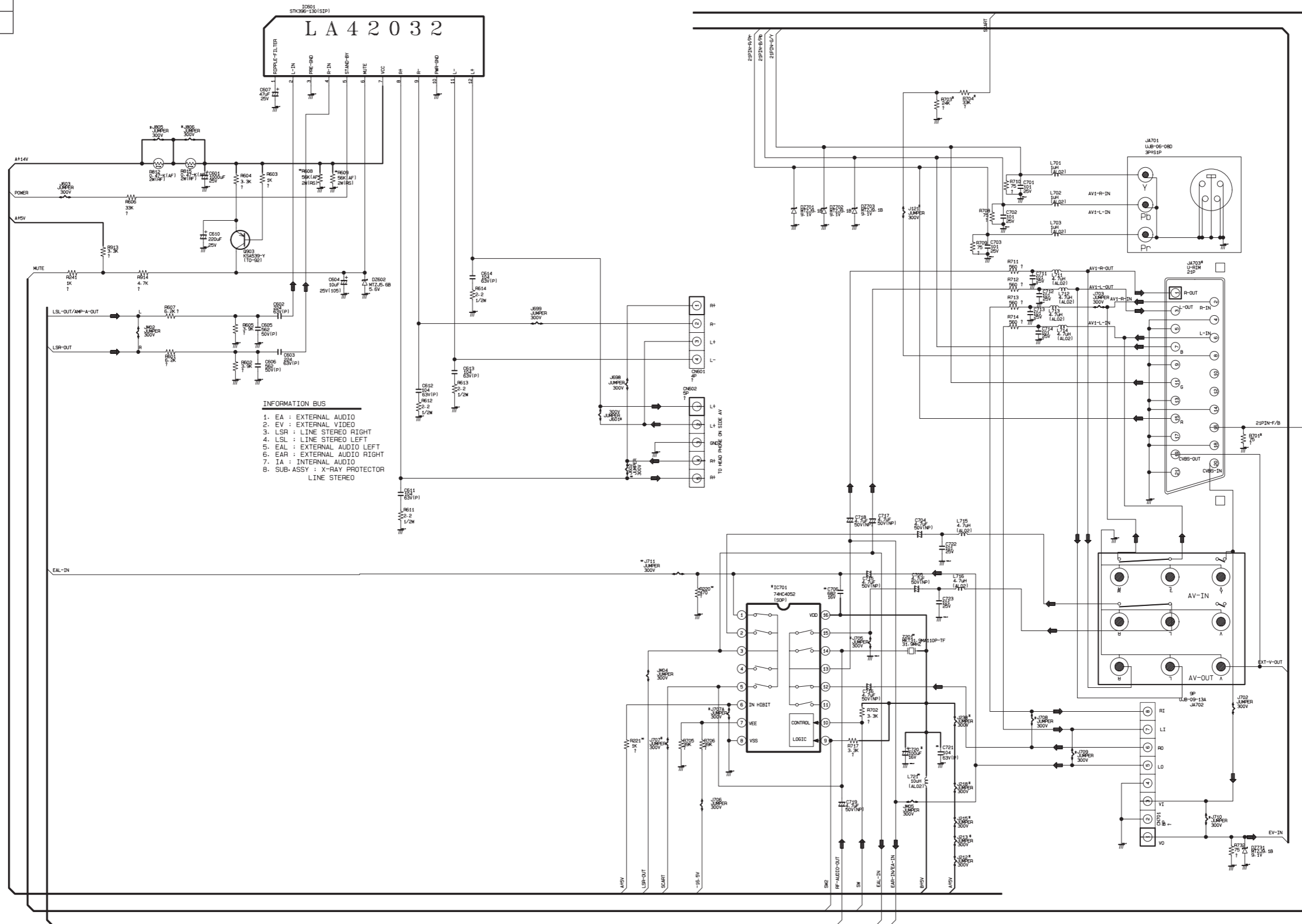
—	Power
—	Video
—	Audio



7-2-2 Sound

This Document can not be used without Samsung's authorization.

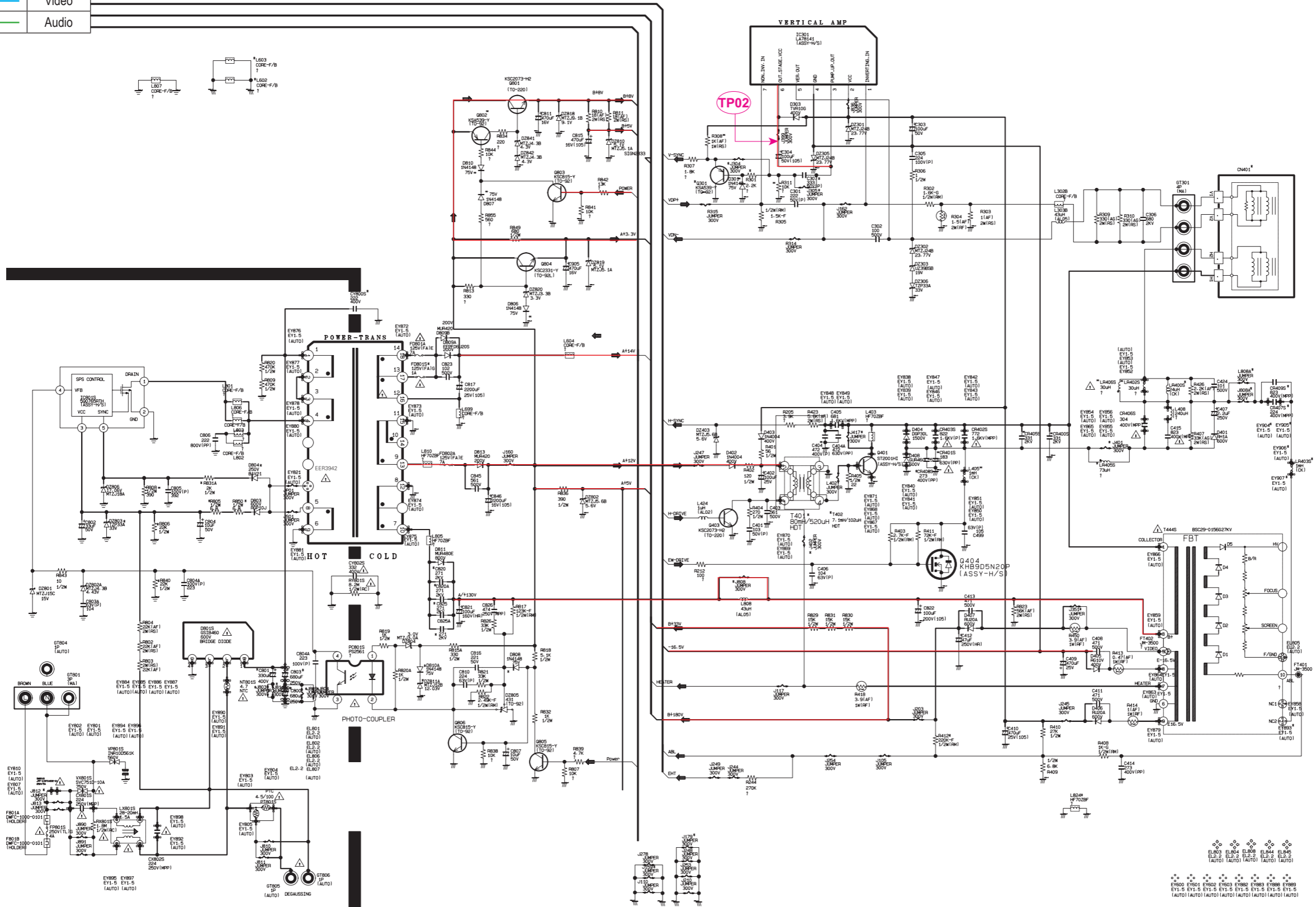
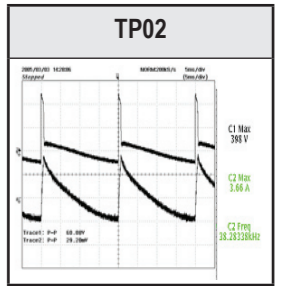
	Power
	Video
	Audio



7-2-3 Power

This Document can not be used without Samsung's authorization.

—	Power
—	Video
—	Audio



7-2-4 CRT

This Document can not be used without Samsung's authorization.

—	Power
—	Video
—	Audio

