

HCD-EX6/EX6T/EX8/ EX8T/EX9/EX9T

SERVICE MANUAL

E Model

Ver. 1.1 2010.12



Photo: HCD-EX9T

- HCD-EX6 is the amplifier, USB, CD player and tuner section in MHC-EX6.
- HCD-EX6T is the amplifier, USB, CD player, tape deck and tuner section in MHC-EX6T.
- HCD-EX8 is the amplifier, USB, CD player and tuner section in MHC-EX8.
- HCD-EX8T is the amplifier, USB, CD player, tape deck and tuner section in MHC-EX8T.
- HCD-EX9 is the amplifier, USB, CD player and tuner section in MHC-EX9.
- HCD-EX9T is the amplifier, USB, CD player, tape deck and tuner section in MHC-EX9T.

- MPEG Layer-3 audio coding technology and patents licensed from Fraunhofer IIS and Thomson.
- Windows Media is a registered trademark of Microsoft Corporation in the United States and/or other countries.

CD Section	Model Name Using Similar Mechanism	New
	Mechanism Type	CDM88CL-D1BD74UR
	Optical Pick-up Block Name	DA11MMVGP
Tape Deck Section (HCD-EX6T/EX8T/EX9T)	Model Name Using Similar Mechanism	HCD-EC69T/EC79T/EC99T
	Tape Transport Mechanism Type	TCM-J1 or CS-21SC-901TP

SPECIFICATIONS

Amplifier section

The following measured at AC 127 V, 60 Hz (Mexican model)
The following measured at AC 220 V, 50/60 Hz (Argentine model)
The following measured at AC 120 V, 220 V, 240 V, 50/60 Hz (Other models)

HCD-EX9/EX9T

Front Speaker:
Power output (rated):
Low channel
40 W + 40 W (at 8 Ω, 1 kHz, 1% THD)
High channel
40 W + 40 W (at 8 Ω, 1 kHz, 1% THD)
RMS output power (reference):
Low channel
85 W + 85 W (per channel at 8 Ω, 1 kHz)
High channel
85 W + 85 W (per channel at 8 Ω, 1 kHz)
Subwoofer:
RMS output power (reference):
125 W (at 4 Ω, 80 Hz)

HCD-EX8/EX8T

Power output (rated):
Low channel
50 W + 50 W (at 8 Ω, 1 kHz, 1% THD)
High channel
50 W + 50 W (at 8 Ω, 1 kHz, 1% THD)

RMS output power (reference):
Low channel
100 W + 100 W (per channel at 8 Ω, 1 kHz)
High channel
100 W + 100 W (per channel at 8 Ω, 1 kHz)

HCD-EX6/EX6T

Power output (rated):
40 W + 40 W (at 6 Ω, 1 kHz, 1% THD)
RMS output power (reference):
90 W + 90 W (per channel at 6 Ω, 1 kHz)

Inputs

PC IN (stereo mini jack):
Sensitivity 800 mV, impedance
22 kilohms

Outputs

PHONES (stereo mini jack):
accepts headphones with an impedance of 8 Ω or more
SPEAKERS: impedance
HCD-EX9/EX9T/EX8/EX8T: 8 Ω
HCD-EX6/EX6T: 6 Ω
SUBWOOFER (HCD-EX9/EX9T only):
impedance 4 Ω

USB section

Supported bit rate:
MP3 (MPEG 1 Audio Layer-3):
32 kbps – 320 kbps, VBR
WMA: 48 kbps – 192 kbps
AAC: 48 kbps – 320 kbps

Sampling frequencies:
MP3 (MPEG 1 Audio Layer-3):
32/44.1/48 kHz
WMA: 44.1 kHz
AAC: 44.1 kHz
(USB) port:
Maximum current:
500 mA

CD player section

System:
Compact disc and digital audio system
Laser Diode Properties
Emission Duration: Continuous
Laser Output*: Less than 44.6μW
*This output is the value measurement at a distance of 200mm from the objective lens surface on the Optical Pick-up Block with 7mm aperture.
Frequency response: 20 Hz – 20 kHz
Signal-to-noise ratio: More than 90 dB
Dynamic range: More than 88 dB

Tape deck section (HCD-EX9T/EX8T/EX6T only)

Recording system: 4-track 2-channel, stereo

Tuner section

FM stereo, FM/AM superheterodyne tuner
Antenna:
FM lead antenna
AM loop antenna

FM tuner section:

Tuning range:
87.5 MHz – 108.0 MHz (50 kHz step)
Intermediate frequency: 225 kHz

AM tuner section:

Tuning range
Latin American models:
530 kHz – 1,710 kHz (10 kHz step)
531 kHz – 1,710 kHz (9 kHz step)
Other models:
531 kHz – 1,602 kHz (9 kHz step)
530 kHz – 1,610 kHz (10 kHz step)
Intermediate frequency: 53 kHz

– Continued on next page –

HCD-EX6/EX8/EX9
COMPACT DISC RECEIVER
HCD-EX6T/EX8T/EX9T
COMPACT DISC DECK RECEIVER

9-889-803-02

2010L04-1

© 2010.12

Sony Corporation

Published by Sony Techno Create Corporation

SONY®

General

Power requirements

- Mexican model:
AC 127 V, 60 Hz
- Argentine model:
AC 220 V, 50/60 Hz
- Other models:
AC 120 V, 220 V or 230 V – 240 V,
50/60 Hz, adjustable with voltage
selector

Power consumption

- HCD-EX9/EX9T: 175 W
(0.5 W at the Power Saving Mode)
- HCD-EX8/EX8T: 170 W
(0.5 W at the Power Saving Mode)
- HCD-EX6/EX6T: 110 W
(0.5 W at the Power Saving Mode)

Dimensions (W/H/D) (excl. speakers)

- Approx. 200 mm × 306 mm ×
350 mm

Mass (excl. speakers)

- HCD-EX9: Approx. 6.7 kg
- HCD-EX9T: Approx. 7.0 kg
- HCD-EX8: Approx. 6.6 kg
- HCD-EX8T: Approx. 6.9 kg
- HCD-EX6: Approx. 5.6 kg
- HCD-EX6T: Approx. 5.9 kg

Design and specifications are subject to
change without notice.

NOTES ON CHIP COMPONENT REPLACEMENT

- Never reuse a disconnected chip component.
- Notice that the minus side of a tantalum capacitor may be damaged by heat.

FLEXIBLE CIRCUIT BOARD REPAIRING

- Keep the temperature of soldering iron around 270 °C during repairing.
- Do not touch the soldering iron on the same conductor of the circuit board (within 3 times).
- Be careful not to apply force on the conductor when soldering or unsoldering.

CAUTION

Use of controls or adjustments or performance of procedures other than those specified herein may result in hazardous radiation exposure.

CLASS 1 LASER PRODUCT
LUOKAN 1 LASERLAITE
KLASS 1 LASERAPPARAT

This appliance is classified as
a CLASS 1 LASER product.
This marking is located on the
rear exterior.

TABLE OF CONTENTS

1. SERVICING NOTES	3
2. DISASSEMBLY	
2-1. Side Panel (R)/(L)	7
2-2. Top Panel Section	7
2-3. Tape Mechanism Deck (HCD-EX6T/EX8T/EX9T).....	8
2-4. Front Panel Section	8
2-5. MAIN Board	9
2-6. Back Panel Section	10
2-7. CD Mechanism Section	11
2-8. Belt (DLM3A)	11
2-9. Base Unit.....	12
2-10. BD74 Board	12
3. TEST MODE	13
4. MECHANICAL ADJUSTMENTS	15
5. ELECTRICAL ADJUSTMENTS	15
6. DIAGRAMS	
6-1. Block Diagram –CD/Tuner Section–.....	21
6-2. Block Diagram –Tape/Audio Section–	22
6-3. Block Diagram –Display/Power Supply Section–.....	23
6-4. Printed Wiring Board –CD Section–	24
6-5. Schematic Diagram –CD Section–	25
6-6. Printed Wiring Board –USB Section–	26
6-7. Schematic Diagram –USB Section–.....	27
6-8. Printed Wiring Board –Panel Section–	28
6-9. Schematic Diagram –Panel Section–.....	29
6-10. Printed Wiring Board –USB-JACK Section–.....	30
6-11. Schematic Diagram –USB-JACK Section–.....	30
6-12. Printed Wiring Boards –MAIN-AMP Section–	31
6-13. Schematic Diagram –MAIN-AMP Section (1/2)–.....	32
6-14. Schematic Diagram –MAIN-AMP Section (2/2)–.....	33
6-15. Printed Wiring Board –Power Supply Section–	34
6-16. Schematic Diagram –Power Supply Section–	35
6-17. Schematic Diagram –Tape Deck Section (HCD-EX6T/EX8T/EX9T)–	36
6-18. Printed Wiring Board –Tape Deck Section (HCD-EX6T/EX8T/EX9T)–	37
7. EXPLODED VIEWS	
7-1. Overall Section	46
7-2. Front Panel Section	47
7-3. Top Panel Section (HCD-EX6T/EX8T/EX9T)	48
7-4. Chassis Section	49
7-5. MAIN Board Section	50
7-6. CD Mechanism Section (CDM88CL-D1BD74UR)	51
8. ELECTRICAL PARTS LIST	52

Accessories are given in the last of the electrical parts list.

SAFETY-RELATED COMPONENT WARNING!

COMPONENTS IDENTIFIED BY MARK \triangle OR DOTTED LINE WITH MARK \triangle ON THE SCHEMATIC DIAGRAMS AND IN THE PARTS LIST ARE CRITICAL TO SAFE OPERATION. REPLACE THESE COMPONENTS WITH SONY PARTS WHOSE PART NUMBERS APPEAR AS SHOWN IN THIS MANUAL OR IN SUPPLEMENTS PUBLISHED BY SONY.

SECTION 1 SERVICING NOTES

NOTES ON HANDLING THE OPTICAL PICK-UP BLOCK OR BASE UNIT

The laser diode in the optical pick-up block may suffer electrostatic break-down because of the potential difference generated by the charged electrostatic load, etc. on clothing and the human body. During repair, pay attention to electrostatic break-down and also use the procedure in the printed matter which is included in the repair parts.

The flexible board is easily damaged and should be handled with care.

NOTES ON LASER DIODE EMISSION CHECK

The laser beam on this model is concentrated so as to be focused on the disc reflective surface by the objective lens in the optical pickup block. Therefore, when checking the laser diode emission, observe from more than 30 cm away from the objective lens.

UNLEADED SOLDER

Boards requiring use of unleaded solder are printed with the lead-free mark (LF) indicating the solder contains no lead.

(Caution: Some printed circuit boards may not come printed with the lead free mark due to their particular size)

LF : LEAD FREE MARK

Unleaded solder has the following characteristics.

- Unleaded solder melts at a temperature about 40 °C higher than ordinary solder.
Ordinary soldering irons can be used but the iron tip has to be applied to the solder joint for a slightly longer time.
Soldering irons using a temperature regulator should be set to about 350 °C.
Caution: The printed pattern (copper foil) may peel away if the heated tip is applied for too long, so be careful!
- Strong viscosity
Unleaded solder is more viscous (sticky, less prone to flow) than ordinary solder so use caution not to let solder bridges occur such as on IC pins, etc.
- Usable with ordinary solder
It is best to use only unleaded solder but unleaded solder may also be added to ordinary solder.

RELEASING THE DISC TRAY LOCK

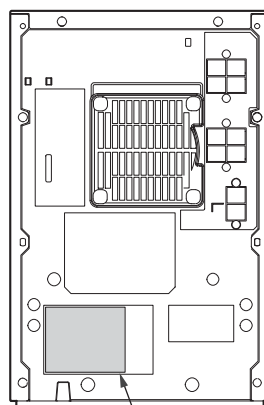
The disc tray lock function for the antitheft of an demonstration disc in the store is equipped.

Releasing Procedure:

1. Press [I/⏻] button to turn the power on.
2. Press the [FUNCTION] button to select CD function.
3. While pressing the [■] button, press the [▲] button for more 5 seconds).
4. The message “UNLOCKED” is displayed and the disc tray is unlocked.

Note: When “LOCKED” is displayed, the slot lock is not released by turning power on/off with the [I/⏻] button.

**MODEL IDENTIFICATION
– Back Panel –**



Model Number Label

Model	Part No.
EX6T: E4 model	4-178-730-0□
EX6: AR model	4-178-731-0□
EX8T: E4 model	4-178-733-0□
EX8: AR model	4-178-734-0□
EX8: MX model	4-178-735-0□
EX9T: E4 model	4-178-736-0□
EX9: AR model	4-178-737-0□
EX9: MX model	4-178-738-0□
EX6: E2, E51 models	*
EX8: E2, E51 models	*
EX9: E2, E51 models	*

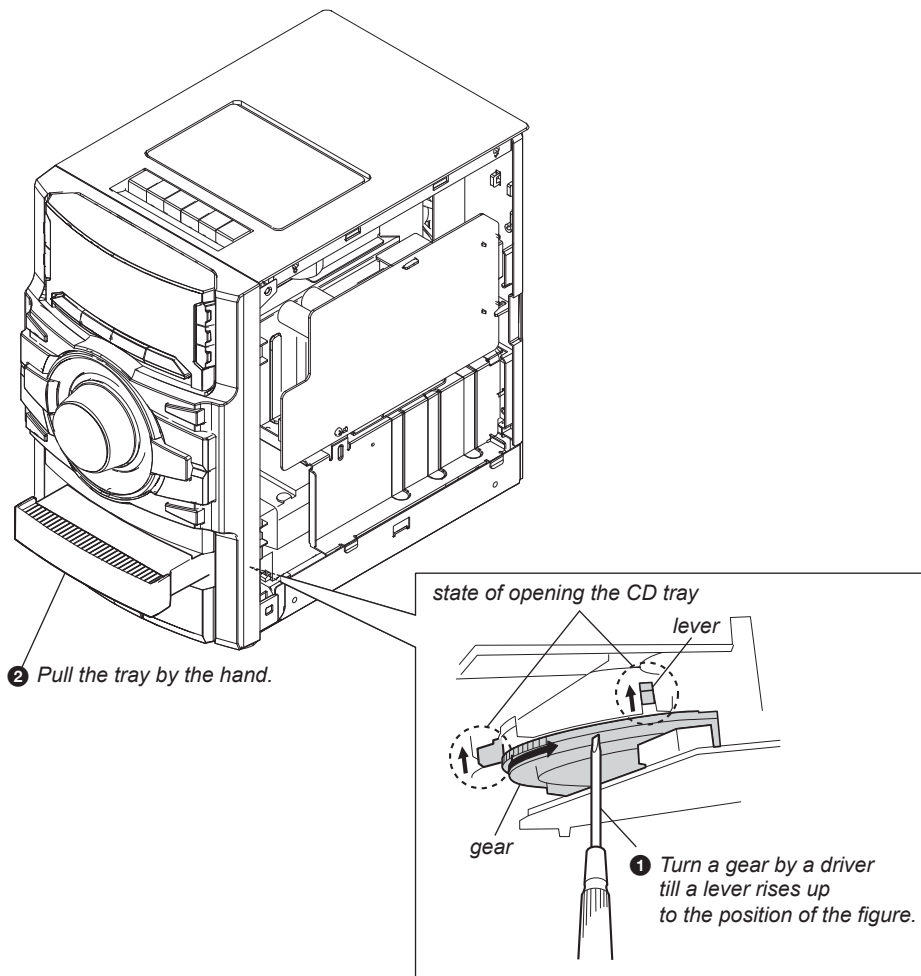
- Abbreviation
E4 : 220 – 240V AC area in E model
AR : Argentina model
MX : Mexican model
E2 : 120V AC area in E model
E51 : Chilean and Peruvian models

*: Since the HCD-EX6/EX8/EX9: E2 and E51 models have their model number labels marked directly on the back panel, the model number labels have no relative part numbers. Because of this, determine the model through the marked model number when comparing the difference between these models.

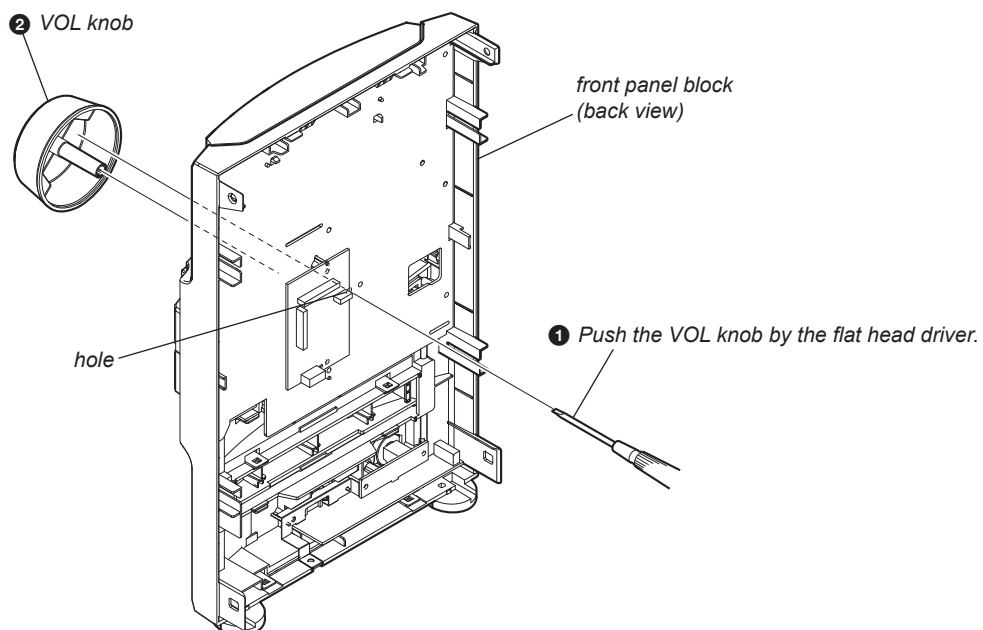
HCD-EX6/EX6T/EX8/EX8T/EX9/EX9T

HOW TO OPEN THE TRAY WHEN POWER SWITCH TURN OFF

Note: Please take out the side panel (R) from a set refer to DISASSEMBLY (page 7).

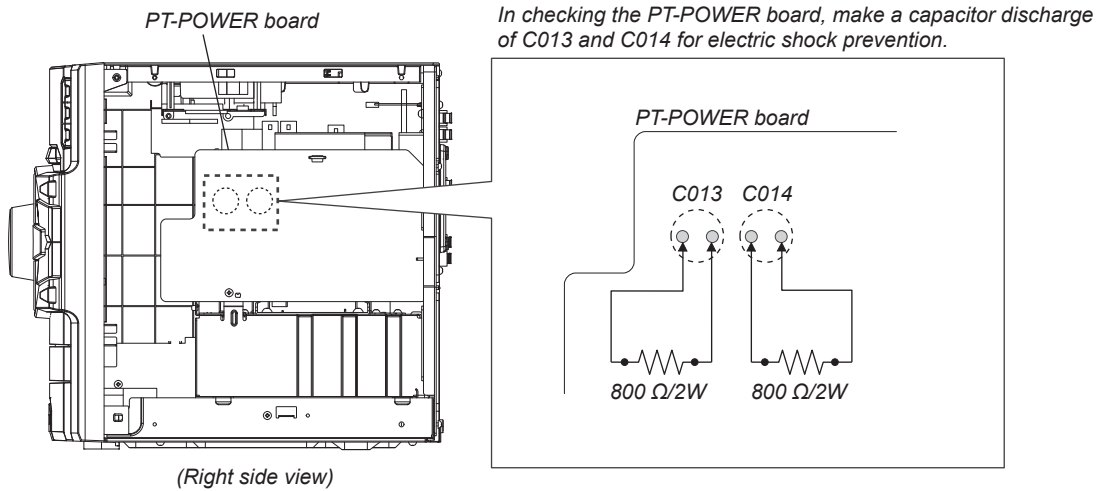


HOW TO REMOVE THE KNOB (VOL)

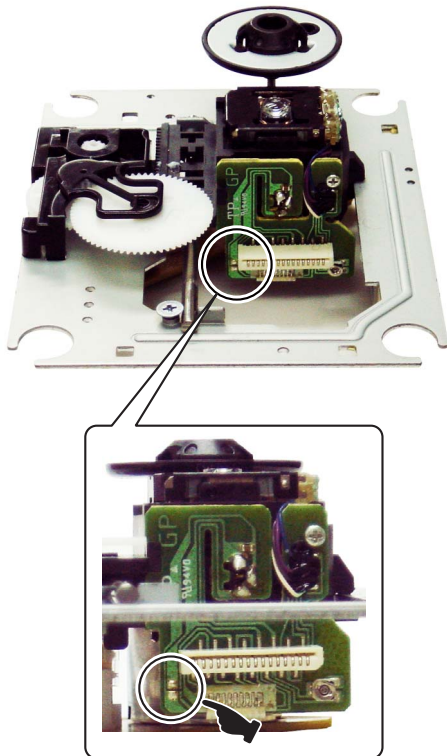


CAPACITOR DISCHARGE FOR ELECTRIC SHOCK PREVENTION

Note: Please take out the side panel (R) from a set refer to DISASSEMBLY (page 7).



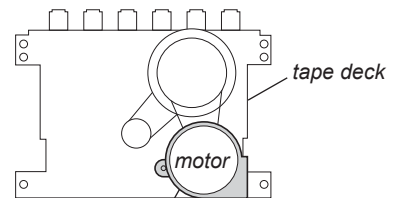
**PRECAUTION WHEN INSTALLING A NEW OP UNIT/
PRECAUTION BEFORE UNSOLDERING THE STATIC
ELECTRICITY PREVENTION SOLDER BRIDGE**



**HOW TO DISTINGUISH TAPE MECHANISM DECK
(HCD-EX6T/EX8T/EX9T only)**

Two kinds of tape mechanism decks installed by this set exist.

Please do the repair exchange after confirming which tape mechanism deck set of the repair according to how to distinguish the figure below.



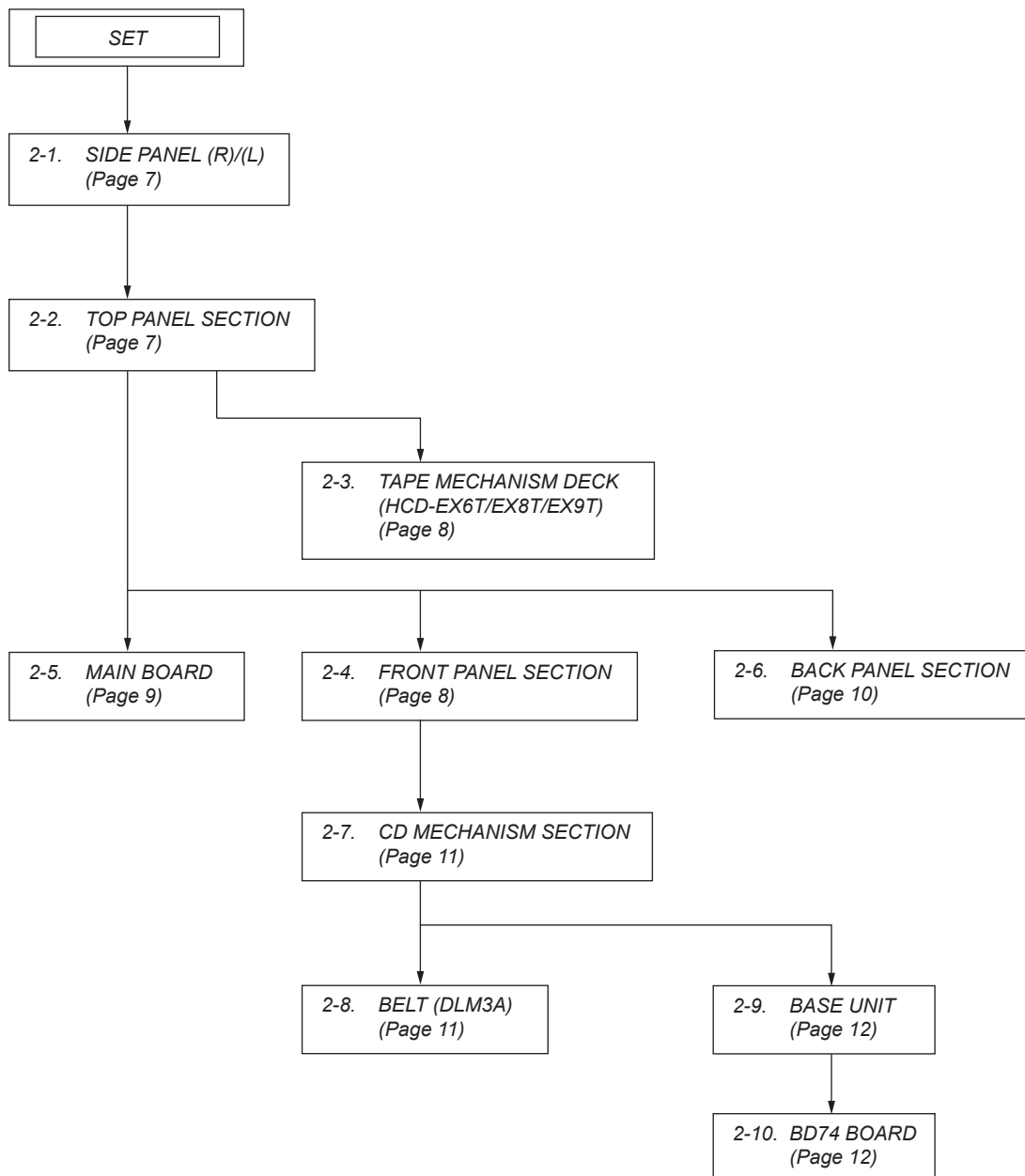
Metal part: TCM-J1
Mold part: CS-21SC-901TP

Tape Deck Name	Tape Deck Part No.	Belt Part No.
TCM-J1	A-1527-851-A	2-670-389-01 BELT (1) 3-214-817-01 BELT (FR)
CS-21SC-901TP	1-797-575-11	2-688-621-01 BELT (R/F) 2-688-622-01 BELT (MAIN)

When installing a new OP unit, be sure to connect the flexible printed circuit board first of all before removing the static electricity prevention solder bridge by unsoldering.
Remove the static electricity prevention solder bridge by unsoldering after the flexible printed circuit board has already been connected.
(Do not remove nor unsolder the solder bridge as long as the OP unit is kept standalone.)

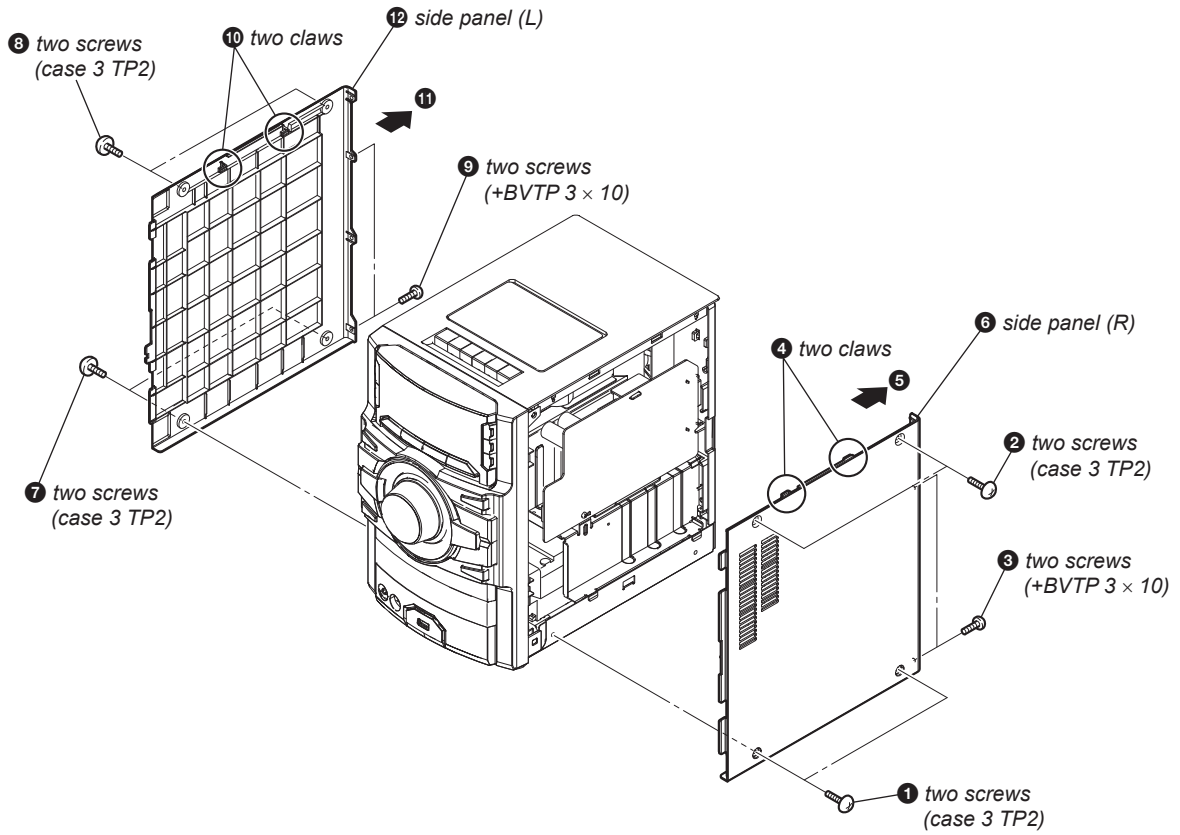
**SECTION 2
DISASSEMBLY**

- This set can be disassembled in the order shown below.

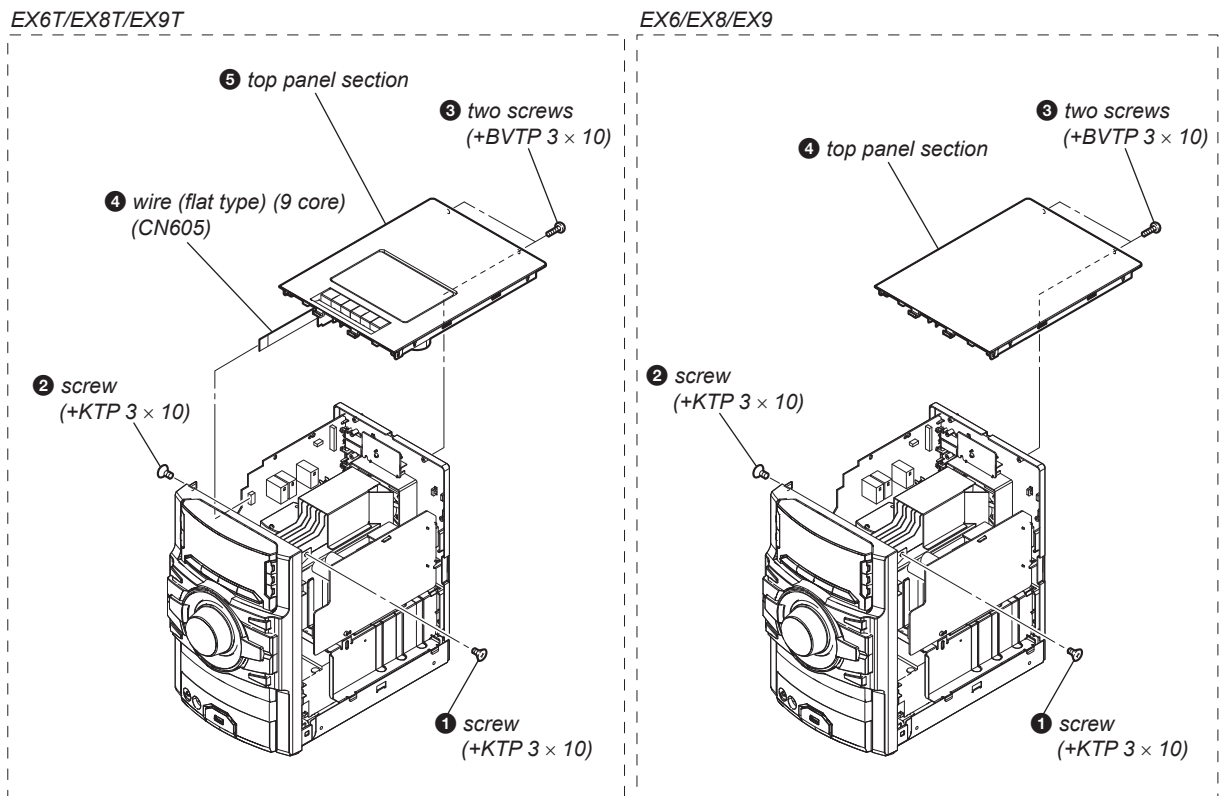


Note: Follow the disassembly procedure in the numerical order given.

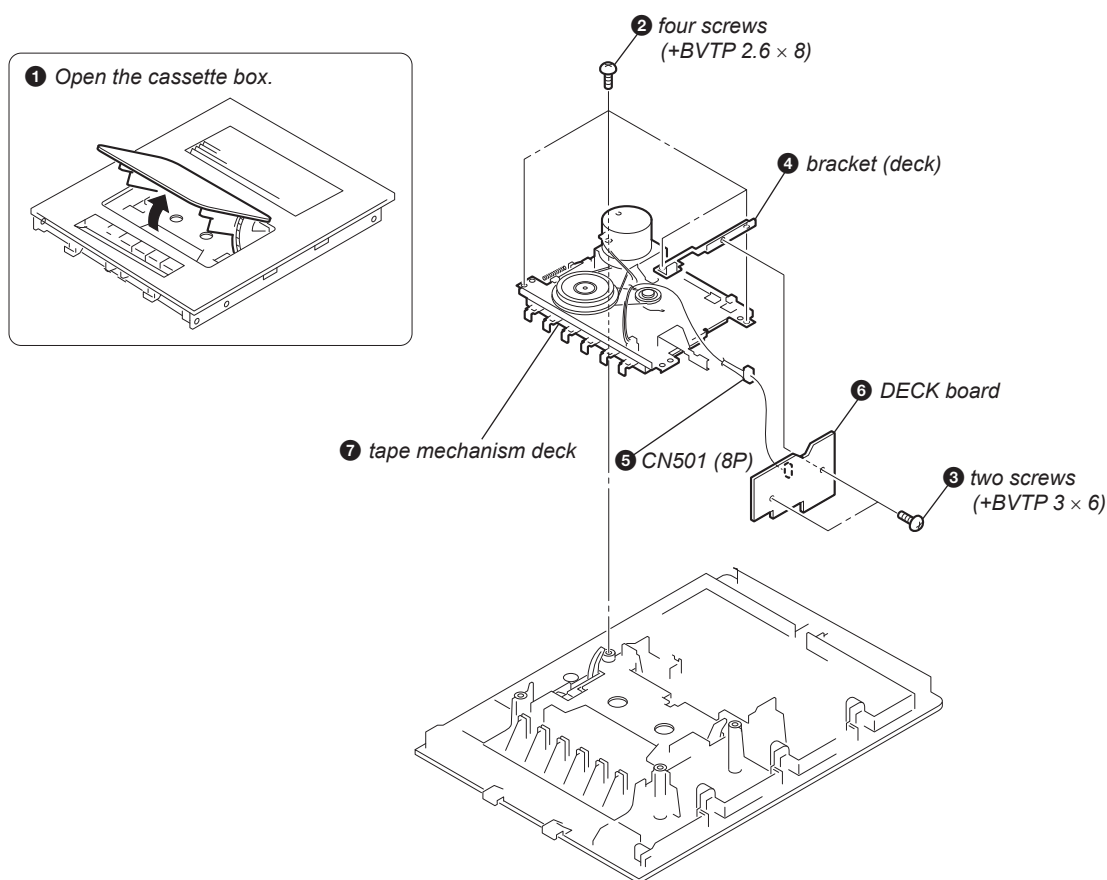
2-1. SIDE PANEL (R)/(L)



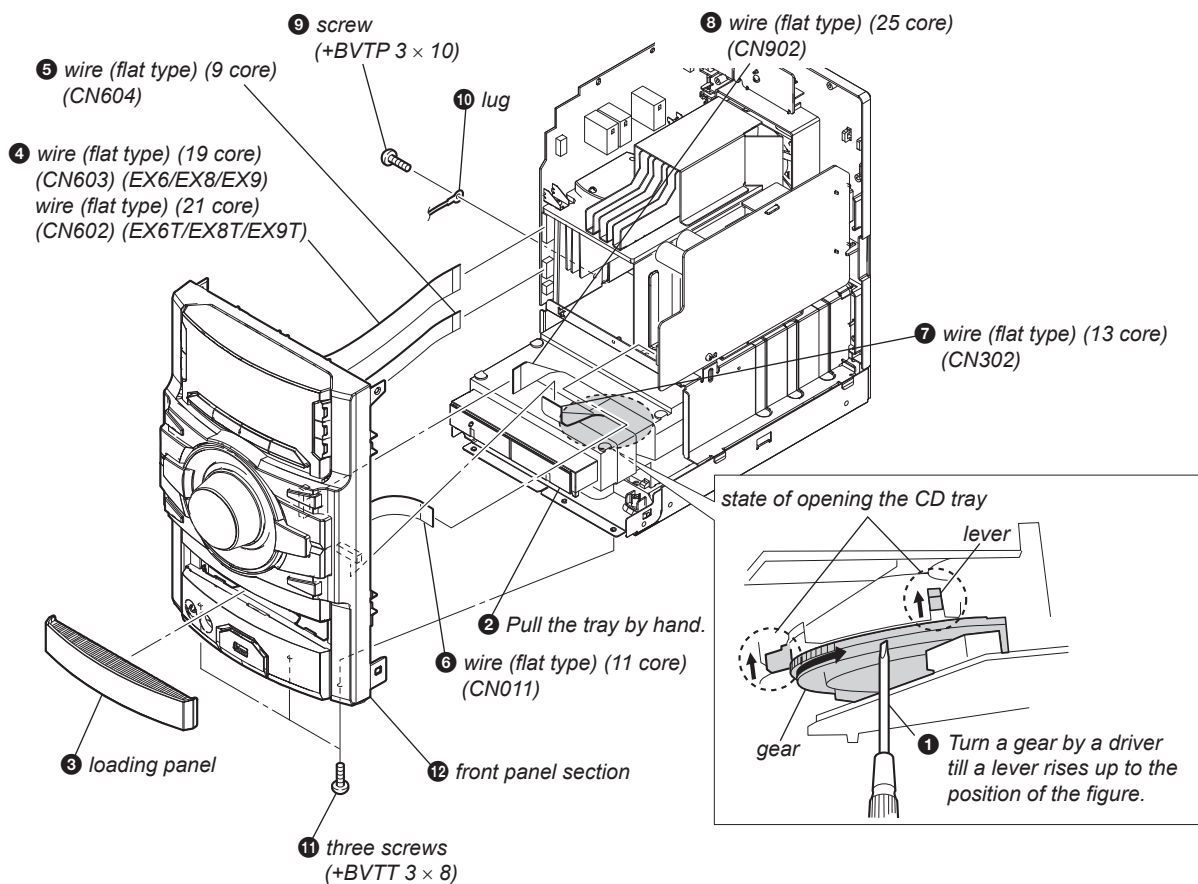
2-2. TOP PANEL SECTION



2-3. TAPE MECHANISM DECK (HCD-EX6T/EX8T/EX9T)

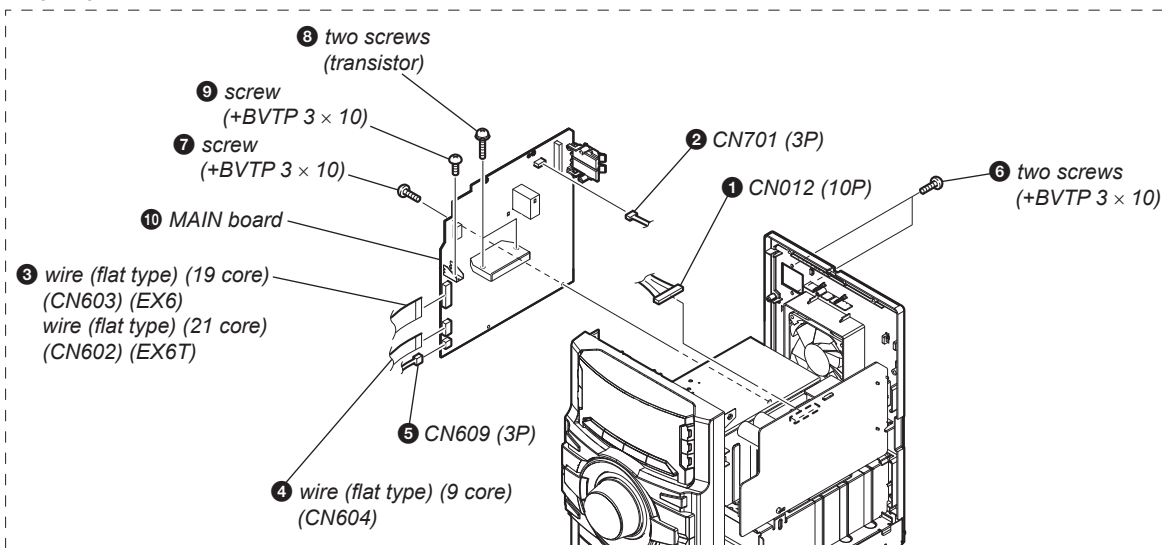


2-4. FRONT PANEL SECTION

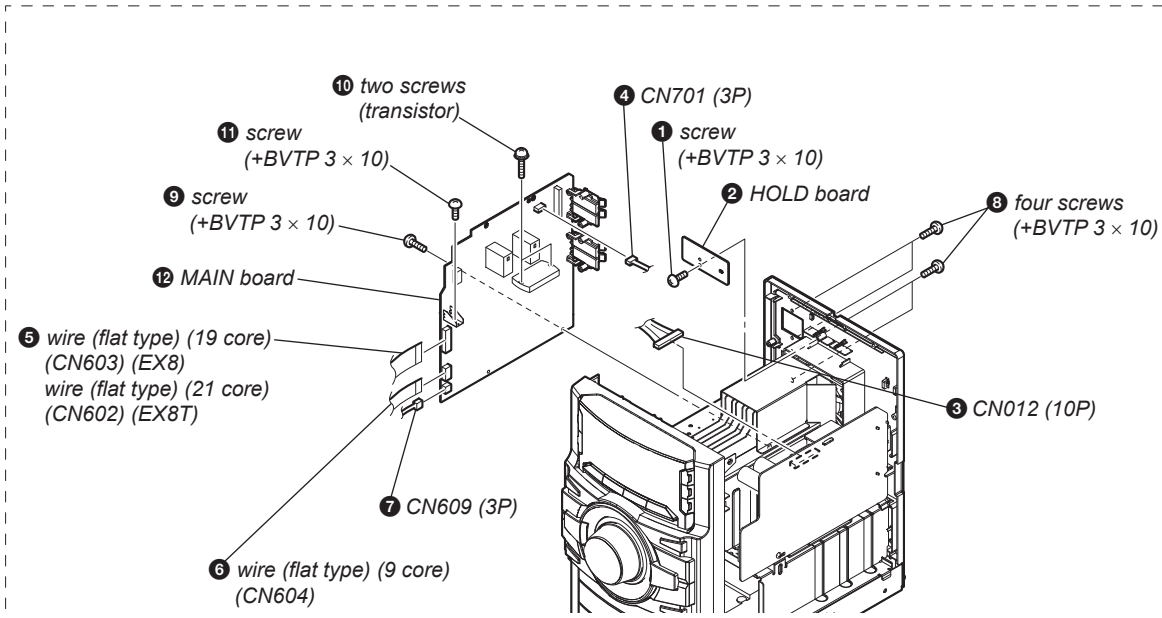


2-5. MAIN BOARD

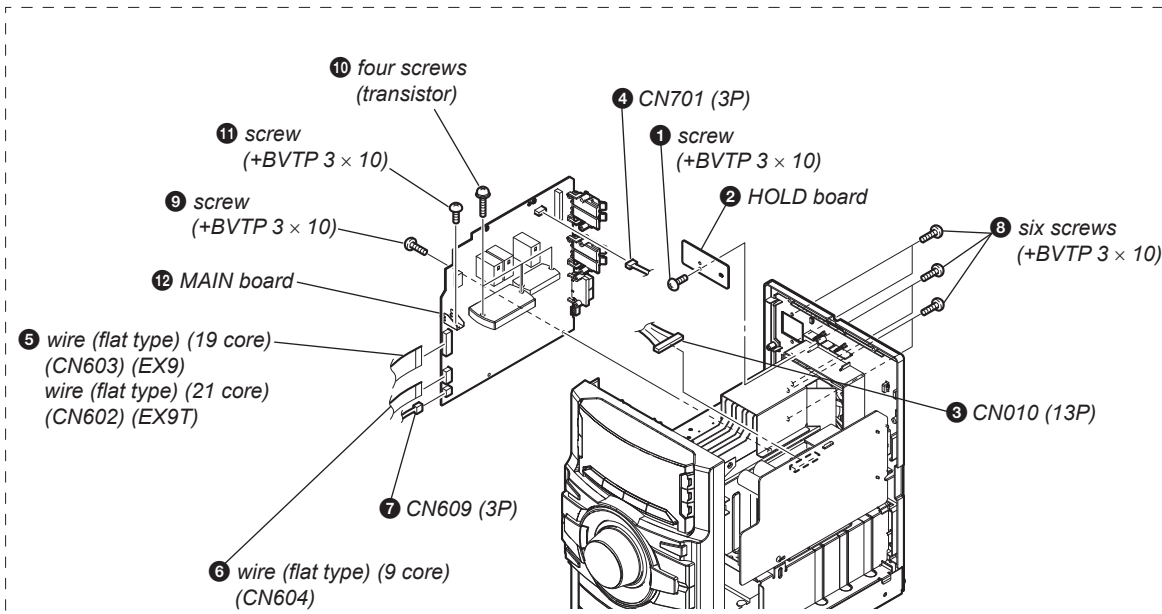
EX6/EX6T



EX8/EX8T

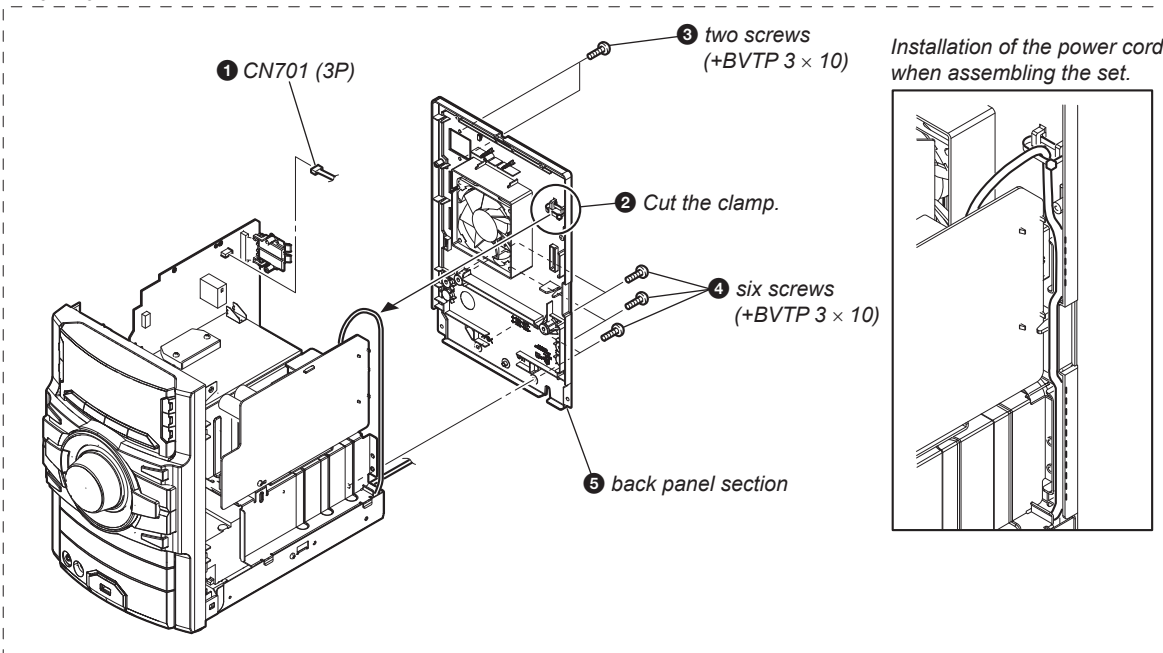


EX9/EX9T

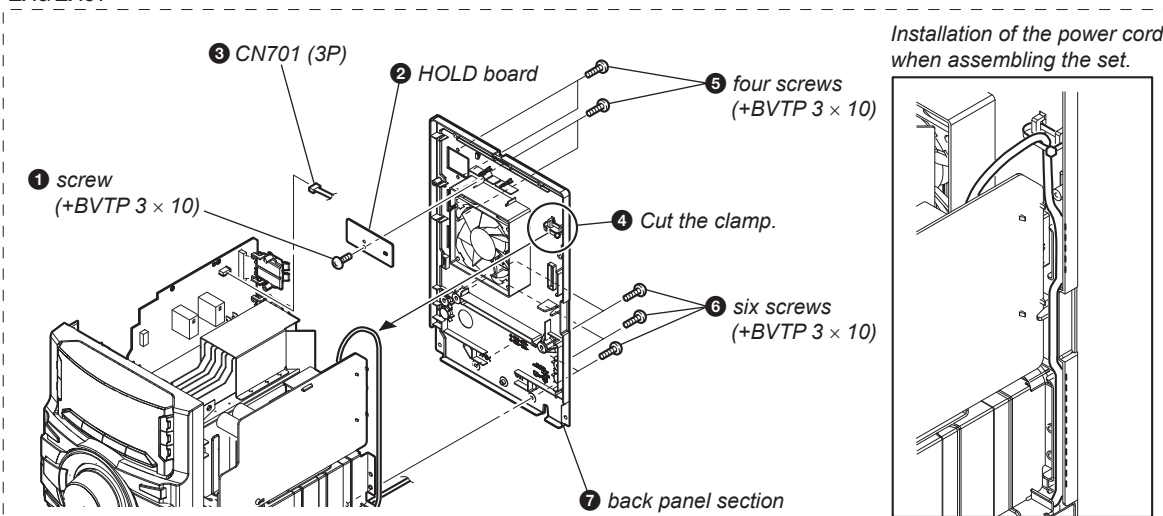


2-6. BACK PANEL SECTION

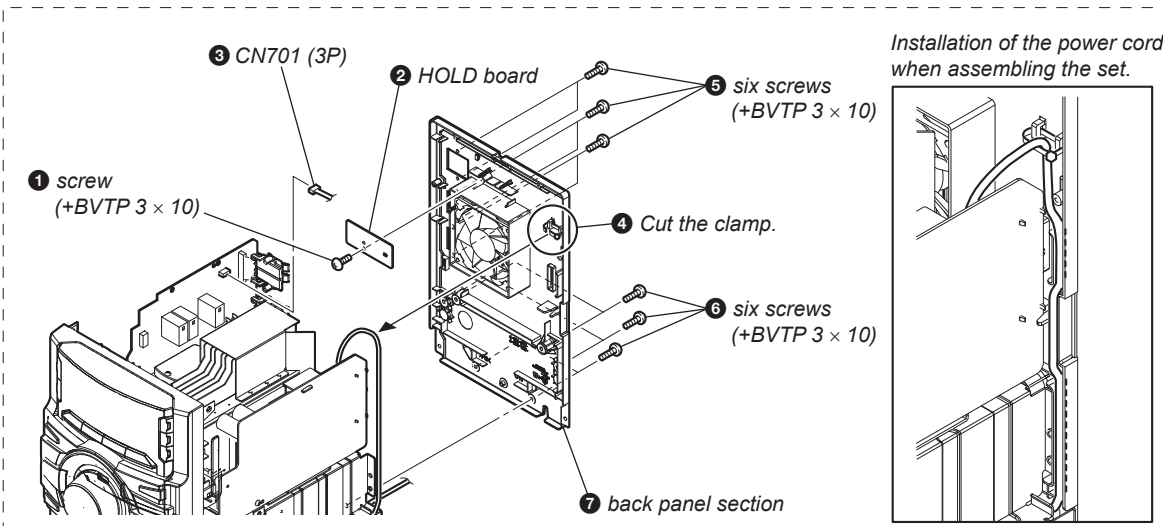
EX6/EX6T



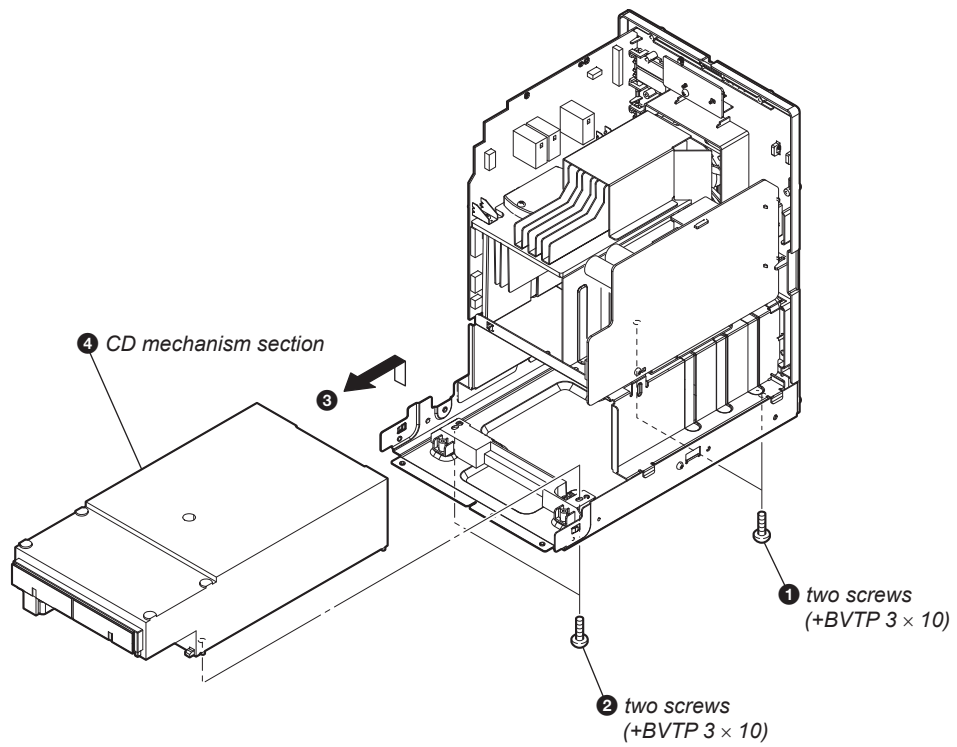
EX8/EX8T



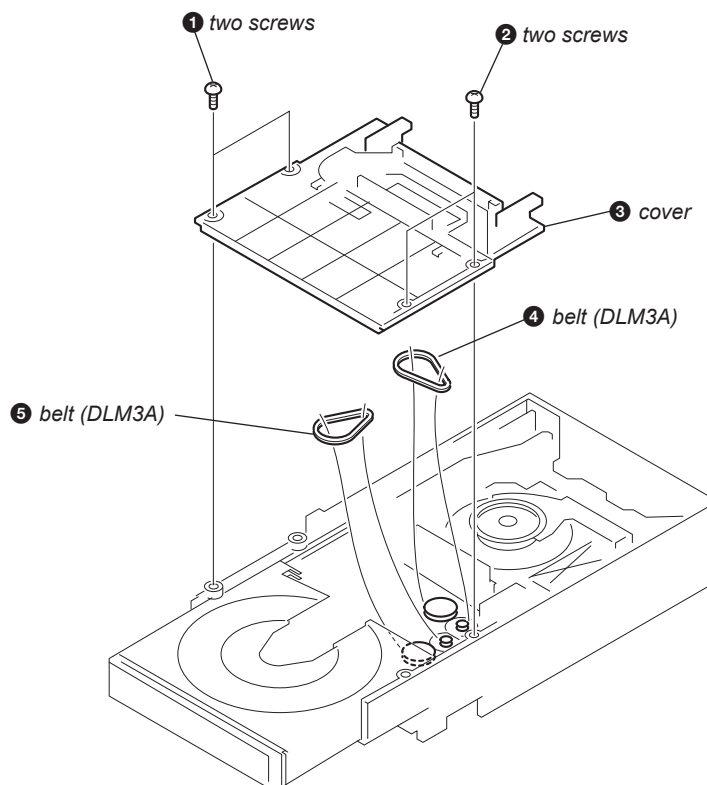
EX9/EX9T



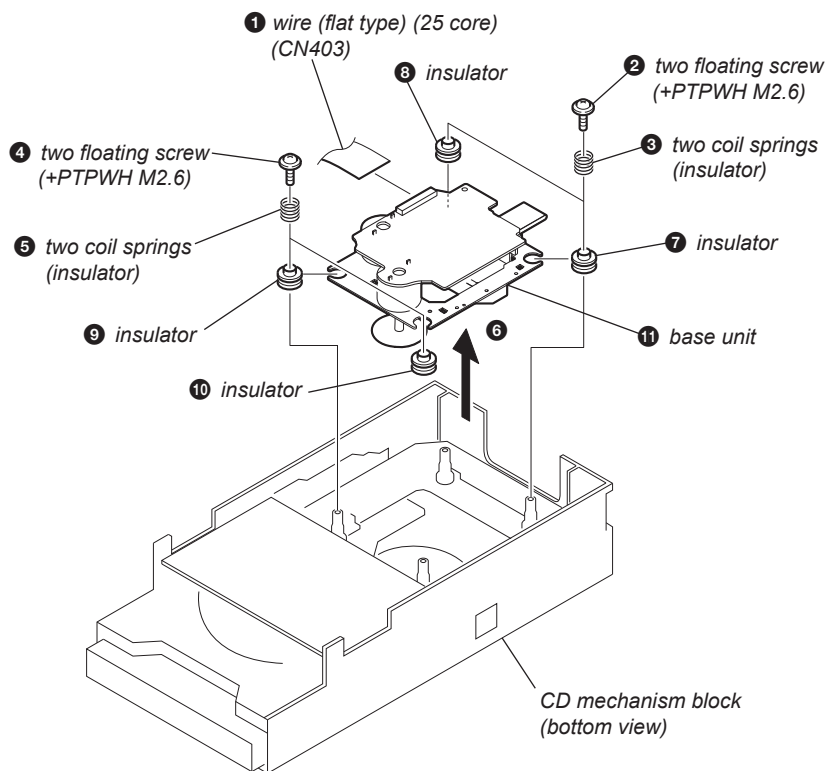
2-7. CD MECHANISM SECTION



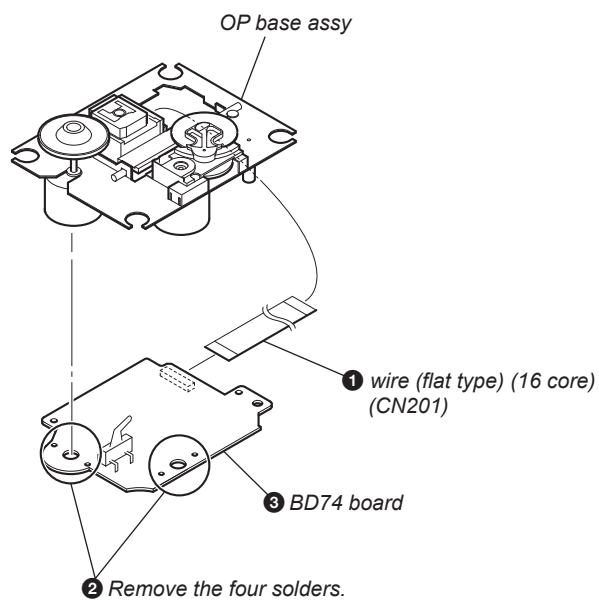
2-8. BELT (DLM3A)



2-9. BASE UNIT



2-10. BD74 BOARD



SECTION 3 TEST MODE

COLD RESET

The cold reset clears all data including preset data stored in the memory to initial conditions. Execute this mode when returning the set to the customer.

Procedure:

1. In the standby status, press the [I/⏻] button to turn the power on.
2. Press three buttons of [■], [FUNCTION] and [I/⏻] simultaneously.
3. When “RESET” appears, the set enters standby status.

PANEL TEST MODE

Enter The Panel Test Mode

Procedure:

1. In the standby status, press the [I/⏻] button to turn the power on.
2. Press three buttons of [DISPLAY], [■] and [OPTIONS] simultaneously.
3. When the panel test mode is activated, all LEDs and segments of the liquid crystal display panel are all turned on.

Version Check

Procedure:

1. In the panel test mode (all LEDs and segments of the liquid crystal display panel are turned on), press the [FUNCTION] button.
2. On the liquid crystal display panel, date and version are displayed “xxxxVxxx”.
3. From this status, press the [▶||] button, and the destination and model name are displayed.
4. To release from this mode, press three buttons of [DISPLAY], [■] and [OPTIONS] simultaneously.

Key Test Mode

Procedure:

1. In the panel test mode (all LEDs and segments of the liquid crystal display panel are turned on), press the [■] button.
2. The message “KEY0 0 0” displayed. Whenever any buttons are pressed and the [VOLUME] control is turned, the value is changed.
3. To release from this mode, press three buttons of [DISPLAY], [■] and [OPTIONS] simultaneously.

CD REPEAT 5 LIMIT CANCEL MODE

Number of repeats for CD playback is 5 times when the repeat mode is “REPEAT”. This mode enables CD to repeat playback for limitless times.

Procedure:

1. Press the [I/⏻] button to turn the power on.
2. Press the [FUNCTION] button to select CD function.
3. Press three buttons of [DISPLAY], [■] and [TUNING + ▶▶ ▷▷] simultaneously.
4. It enters the CD repeat 5 limit cancel mode and displays “NO LIMIT”.
5. To release this mode, press the [I/⏻] button to turn the power off.

CD TRAY LOCK

This mode is for the antitheft of CD disc in shop. (not for transport)

Procedure:

1. Press the [I/⏻] button to turn the power on.
2. Press the [FUNCTION] button to select CD function.
3. Insert a disc.
4. While pressing the [■] button, press the [▲] button for more 5 seconds.
5. The message “LOCKED” is displayed and the disc tray is locked. (Even if releasing from this mode, the disc tray is still locked)
6. If press the [▲] button to eject the disc, the message “LOCKED” is displayed and can not eject the disc.
7. To release this lock, while pressing the [■] button, press the [▲] button for 5 seconds again.
8. The message “UNLOCKED” is displayed and the disc tray is unlocked.

CD POWER MANAGE

This mode is for switch the CD power supply on/off. Even if this state pulls out AC plug, it is held.

Procedure:

1. Press the [I/⏻] button to turn the power on.
2. Press the [FUNCTION] button to select CD function.
3. Press the [I/⏻] button again to turn the power off (standby).
4. After pressing the [DISPLAY] button, while pressing the [■] button, press the [I/⏻] button.
5. It turns power on and display “CD/USB”, then display “PWR ON” or “PWR OFF”.

CHANGE-OVER THE AM TUNING INTERVAL

The AM tuning interval can be changed over 9 kHz or 10 kHz.

Procedure:

1. Press the [I/⏻] button to turn the power on.
2. Press the [FUNCTION] button to select TUNER AM function.
3. Press the [I/⏻] button again to turn the power off (standby).
4. After pressing the [DISPLAY] button, while pressing the [TUNING + ▶▶ ▷▷] button, press the [I/⏻] button.
5. It turns power on and display “9k STEP” or “10k STEP”, and thus the tuning interval is changed over.

CD SHIP MODE

This mode can run the CD sled motor optionally. Use this mode, for instance, when cleaning the optical pick-up.

Procedure:

1. Press the [I/⏻] button to turn the power on.
2. Confirm there is no disc in all trays.
3. Press the [FUNCTION] button to select CD function.
4. Press two buttons of [▶||] and [I/⏻] simultaneously.
5. Set to the CD ship mode (chucking on).
6. After blink “STANDBY”, “LOCK” is displayed, disconnect the AC plug.

CD SHIP AND COLD RESET

Procedure:

1. Press the [I/⏻] button to turn the power on.
2. Confirm there is no disc in all trays.
3. Press the [FUNCTION] button to select CD function.
4. Press three buttons of [CD], [- TUNING ◀◀ ◀◀] and [I/⏻] simultaneously.
5. After blink “STANDBY”, “RESET” is displayed, disconnect the AC plug.

CD SERVO TEST MODE

This mode can check the servo system operations of the optical pick-up system (= optical unit + BD74 board).

Note 1: Do not enter the this mode while any other test mode is in progress.

Note 2: Do not enter any other test mode while the this mode is in progress.

How to Enter the CD Servo Test Mode

Procedure:

1. Press the [I/⏻] button to turn the power on.
2. Press the [FUNCTION] button to select CD function.
3. Press three buttons of [▶▶], [TUNING + ▶▶ ▷▶] and [I/⏻] simultaneously.
4. It enters the CD servo test mode and displays “xx xxxx”.

How to Exit from the CD Servo Test Mode

Procedure:

1. Press three buttons of [▶▶], [TUNING + ▶▶ ▷▶] and [I/⏻] simultaneously.
2. It releases from the CD Servo Test Mode and returns to the ordinary CD function.

Key Operation:

[TUNING + ▶▶ ▷▶], [- TUNING ◀◀ ◀◀]:

Use these keys to move the cursor to the right digit or to the left digit in the six-digit number, when changing the numeric value.

Press [TUNING + ▶▶ ▷▶] to move the cursor to the right, and press [- TUNING ◀◀ ◀◀] to return the cursor to the left.

CD SERVICE MODE

This mode can move the SLED of the optical pick-up, and also can turn the optical pick-up laser power on and off.

Procedure:

1. Press the [I/⏻] button to turn the power on.
2. Press three buttons of [▶▶], [ENTER] and [I/⏻] simultaneously.
3. Press the [FUNCTION] button to select CD function.
4. It enters the CD service mode and displays “SERVICE”.
5. To release from this mode, press three buttons of [▶▶], [ENTER] and [I/⏻] simultaneously.

Key Operation:

[TUNING + ▶▶ ▷▶], [- TUNING ◀◀ ◀◀]:

Use these keys to move the SLED. When [TUNING + ▶▶ ▷▶] is pressed in this mode, the SLED moves to outer circumference and the message “SLED OUT” is displayed.

When [- TUNING ◀◀ ◀◀] is pressed in this mode, the SLED moves to inner circumference and the message “SLED IN” is displayed.

[CD]:

Use this key to turn the optical pick-up laser power on and off. When the laser power is turned on, the message “LD ON” is displayed. When the laser power is turned off, the message “LD OFF” is displayed.

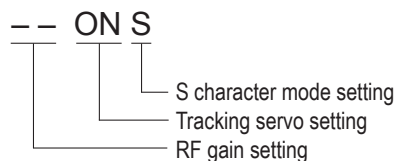
CD FACTORY MODE

Note 1: Do not enter the this mode while any other testmode is in progress.

Note 2: Do not enter any other test mode while the this mode is in progress.

Procedure:

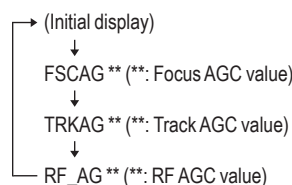
1. Press the [I/⏻] button to turn the power on.
2. Press the [FUNCTION] button to select CD function
3. Press three buttons of [▶▶], [USB] and [I/⏻] simultaneously.
4. It enters the CD factory mode and the message “FACTORY” is displayed. When the [CD] button is pressed four times, the following message (initial display) is displayed.



Key Operation:

[CD]:

The display changes in the following order whenever the button is pressed.



[DSGX]:

RF gain setting changes whenever the button is pressed.

“-- --”: No gain fixation.

“AL”: Fix to the gain for AL disc.

“RW”: Fix to the gain for RW disc.

[USB]:

Tracking servo setting changes whenever the button is pressed.

“ON”: Tracking servo ON.

“OFF”: Tracking servo OFF.

[FUNCTION]:

S character mode setting changes whenever the button is pressed.

“ ”: S character mode OFF.

“S”: S character mode ON.

5. To release from this mode, press three buttons of [▶▶], [USB] and [I/⏻] simultaneously.

SECTION 4 MECHANICAL ADJUSTMENTS

HCD-EX6T/EX8T/EX9T only:

Precaution

1. Clean the following parts with a denatured-alcohol-moistened swab:

record/playback head	pinch roller
erase head	rubber belts
capstan	idlers
2. Demagnetize the record/playback head with a head demagnetizer. (Do not bring the head magnetizer close to the erase head.)
3. Do not use a magnetized screwdriver for the adjustments.
4. After the adjustments, apply suitable locking compound to the parts adjusted.
5. The adjustments should be performed with the rated power supply voltage unless otherwise noted.

Torque Measurement

Mode	Torque meter	Meter reading
FWD	CQ-102AS	2.0 – 8.0 mN • m (20 to 80 g • cm) (0.28 – 1.12 oz • inch)
FWD Back tension	CQ-102C	0.15 – 0.6 mN • m (1.5 to 6 g • cm) (0.021 – 0.083 oz • inch)
FF	CQ-201AS	5 – 17.7 mN • m (50 to 177 g • cm) (0.7 – 2.48 oz • inch)
REV	CQ-201B	5 – 17.7 mN • m (50 to 177 g • cm) (0.7 – 2.48 oz • inch)

Tape Tension Measurement

Mode	Tension meter	Meter reading
FWD	CQ-403A	more than 80 g (more than 2.82 oz)

HCD-EX6/EX6T/EX8/EX8T/EX9/EX9T SECTION 5 ELECTRICAL ADJUSTMENTS

DECK SECTION 0 dB = 0.775V

HCD-EX6T/EX8T/EX9T only:

1. Demagnetize the record/playback head with a head demagnetizer.
2. Do not use a magnetized screwdriver for the adjustments.

TEST TAPE

Tape	Signal	Used for
P-4-A063	6.3 kHz, -10 dB	Azimuth Adjustment

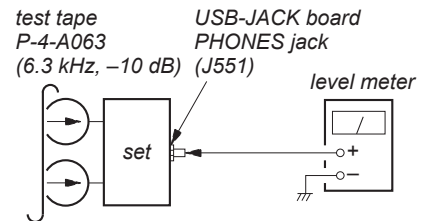
RECORD/PLAYBACK HEAD AZIMUTH ADJUSTMENT

Adjustment Location: Record/Playback Head (See page 16)

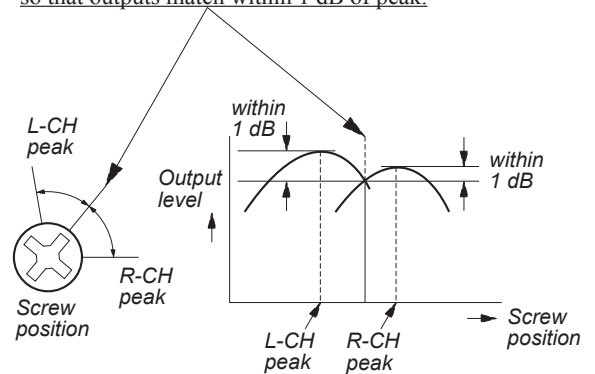
Note: Perform this adjustments for both decks.

Procedure:

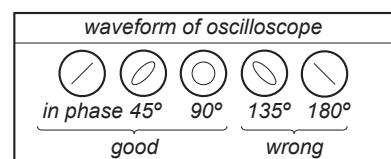
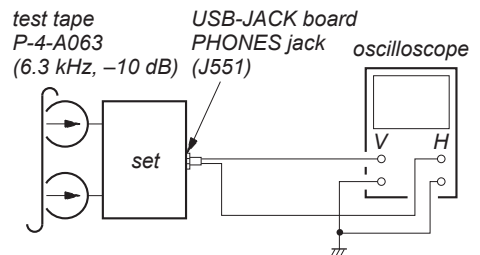
1. Mode: Playback



2. Turn the adjustment screw and check output peaks. If the peaks do not match for L-CH and R-CH, turn the adjustment screw so that outputs match within 1 dB of peak.

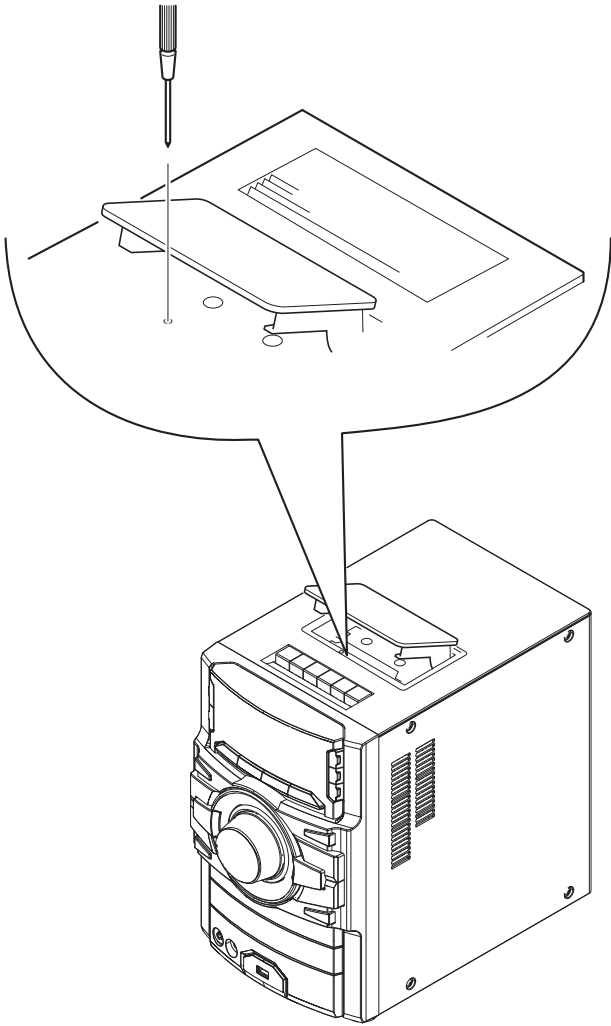


3. Mode: Playback



4. After the adjustments, apply suitable locking compound to the parts adjusted.

Adjustment Location: Record/Playback Head

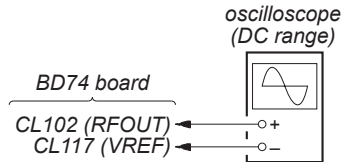


CD SECTION

Note:

1. CD Block is basically constructed to operate without adjustment.
2. Use YEDS-18 disc (Part No. 3-702-101-01) unless otherwise indicated.
3. Use an oscilloscope with more than 10 MΩ impedance.
4. Clean the object lens by an applicator with neutral detergent when the signal level is low than specified value with the following checks.
5. Check the focus bias check when optical pick-up block is replaced.

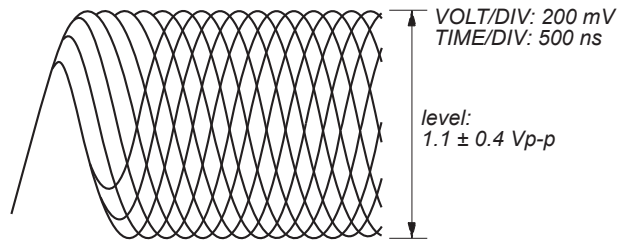
FOCUS BIAS CHECK



Procedure:

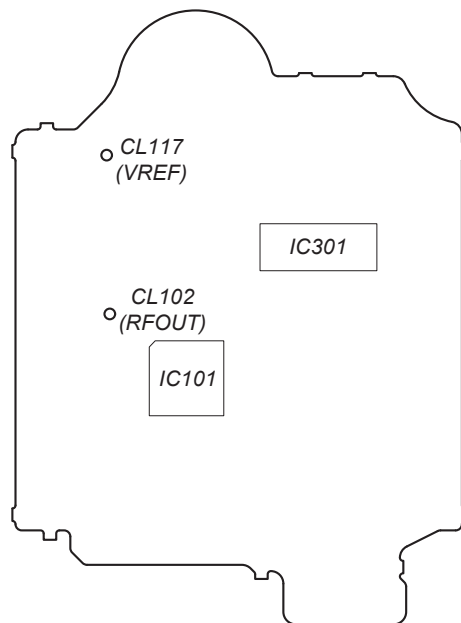
1. Connect the oscilloscope to CL102 (RFOUT) and CL117 (VREF) on the BD74 board.
2. Press the [I/⏻] button to turn the power on, and press the [FUNCTION] button to select CD function.
3. Set disc (YEDS-18) and press the [▶||] button to playback.
4. Confirm that oscilloscope waveform is as shown in the figure below (eye pattern).

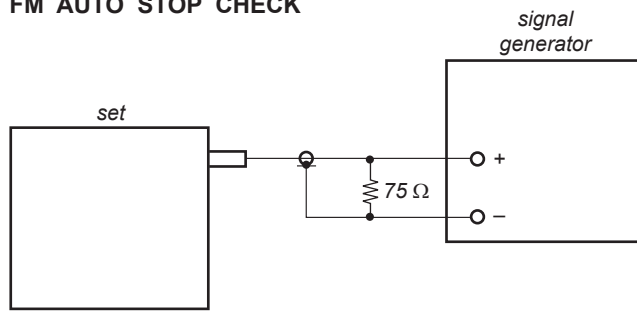
A good eye pattern means that the diamond shape (◇) in the center of the waveform can be clearly distinguished.



Checking Location:

– BD74 Board (Side B) –



TUNER SECTION0 dB = 1 μ V**FM AUTO STOP CHECK****Procedure:**

1. Turn the power on.
2. Input the following signal from Signal Generator to FM antenna input directly.

Carrier frequency : A = 87.5 MHz, B = 98 MHz, C = 108 MHz

Deviation : 75 kHz

Modulation : 1 kHz

ANT input : 35 dBu (EMF)

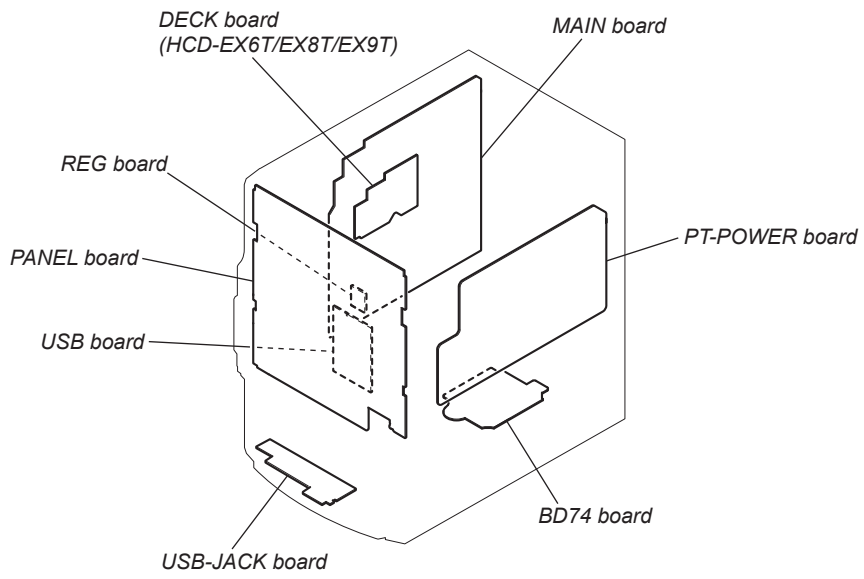
Note: Please use 75 ohm "coaxial cable" to connect SG and the set. You cannot use video cable for checking.
Please use SG whose output impedance is 75 ohm.

3. Set to FM tuner function and scan the input FM signal with automatic scanning.
4. Confirm that input Frequency of A, B and C detected and automatic scanning stops.

The stop of automatic scanning means "The station signal is received in good condition".

**SECTION 6
DIAGRAMS**





• **Circuit Boards Location**



**THIS NOTE IS COMMON FOR PRINTED WIRING BOARDS AND SCHEMATIC DIAGRAMS.
(In addition to this, the necessary note is printed in each block.)**

For Printed Wiring Boards.

Note:

-  : Parts extracted from the component side.
-  : Parts extracted from the conductor side.
-  : Indicates side identified with part number.
-  : Pattern from the side which enables seeing.
(The other layers' patterns are not indicated.)




Caution:

Pattern face side: (SIDE B)	Parts on the pattern face side seen from the pattern face are indicated.
Parts face side: (SIDE A)	Parts on the parts face side seen from the parts face are indicated.











- Abbreviation
 - AR : Argentina model
 - E2 : 120V AC area in E model
 - E4 : 220 – 240V AC area in E model
 - E51 : Chilean and Peruvian models
 - MX : Mexican model

For Schematic Diagrams.

Note:

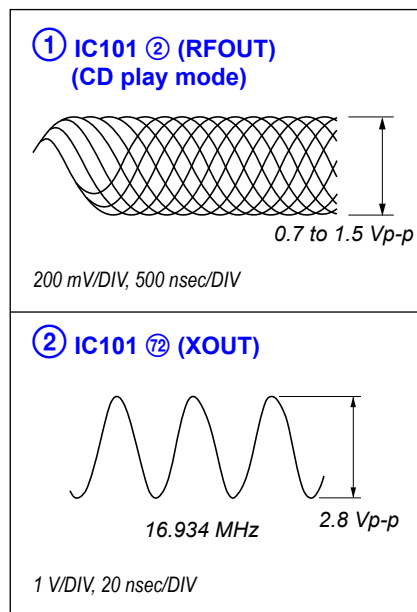
- All capacitors are in μF unless otherwise noted. (p: pF) 50 WV or less are not indicated except for electrolytics and tantalums.
- All resistors are in Ω and 1/4 W or less unless otherwise specified.
-  : Internal component.
-  : Nonflammable resistor.
-  : Panel designation.

Note: The components identified by mark \triangle or dotted line with mark \triangle are critical for safety.
Replace only with part number specified.

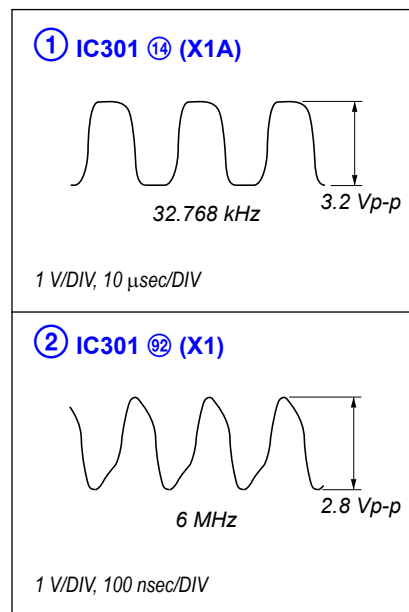
-  : B+ Line.
-  : B– Line.
-  : Adjustment for repair.
- Voltages and waveforms are dc with respect to ground under no-signal (detuned) conditions.
- BD74 Board –
no mark: CD PLAY
- Other Boards –
no mark: TUNER (FM/AM)
(): CD PLAY
< >: TAPE PLAY
[]: TAPE REC
* : Impossible to measure
- Voltages are taken with VOM (Input impedance 10 M Ω).
Voltage variations may be noted due to normal production tolerances.
- Waveforms are taken with a oscilloscope.
Voltage variations may be noted due to normal production tolerances.
- Circled numbers refer to waveforms.
- Signal path.
 -  : TUNER (FM)
 -  : TUNER (AM)
 -  : CD
 -  : USB
 -  : PC IN
 -  : TAPE PLAY
 -  : TAPE REC
- Abbreviation
 - AR : Argentina model
 - E2 : 120V AC area in E model
 - E4 : 220 – 240V AC area in E model
 - E51 : Chilean and Peruvian models
 - MX : Mexican model

• Waveforms

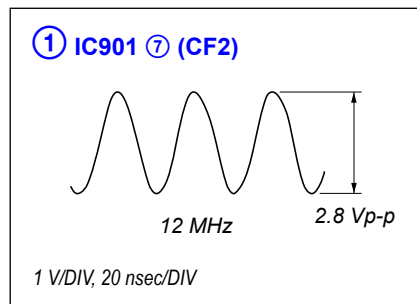
– BD74 Board –



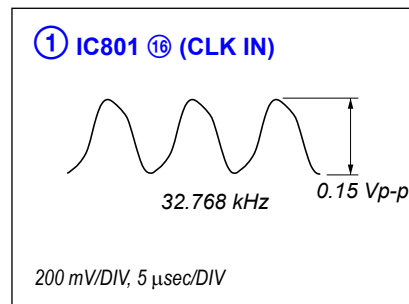
– PANEL Board –



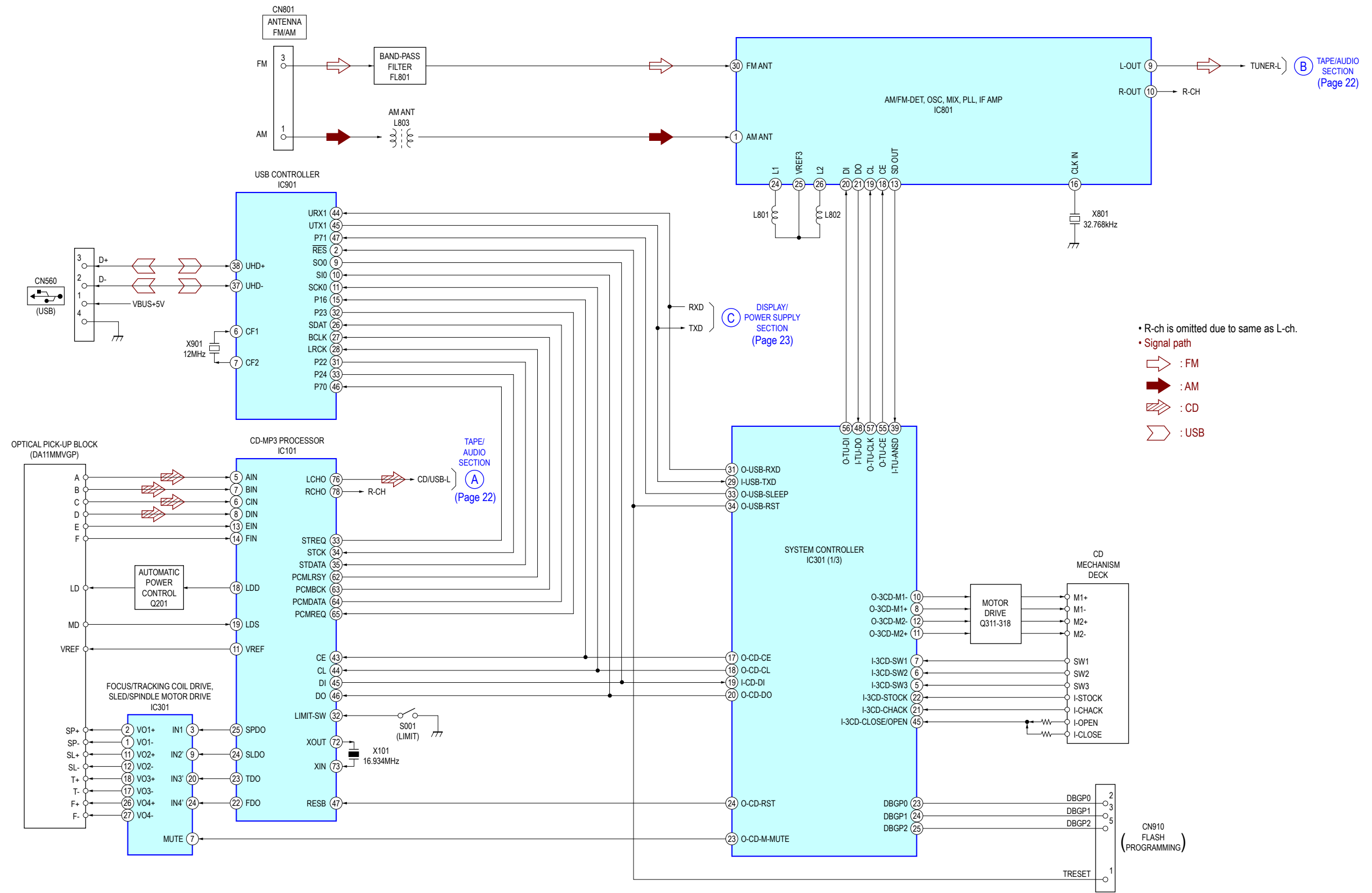
– USB Board –



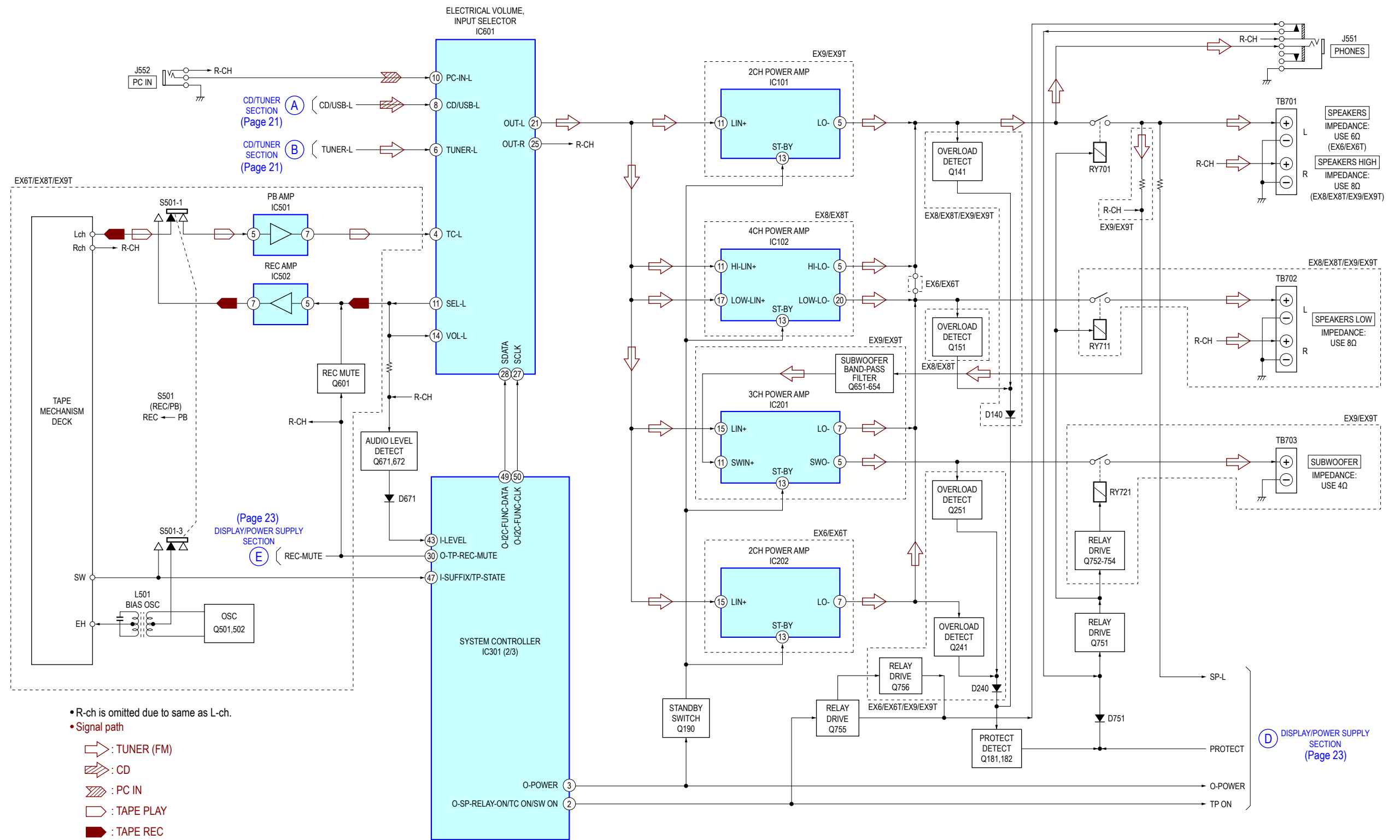
– MAIN-AMP Board –



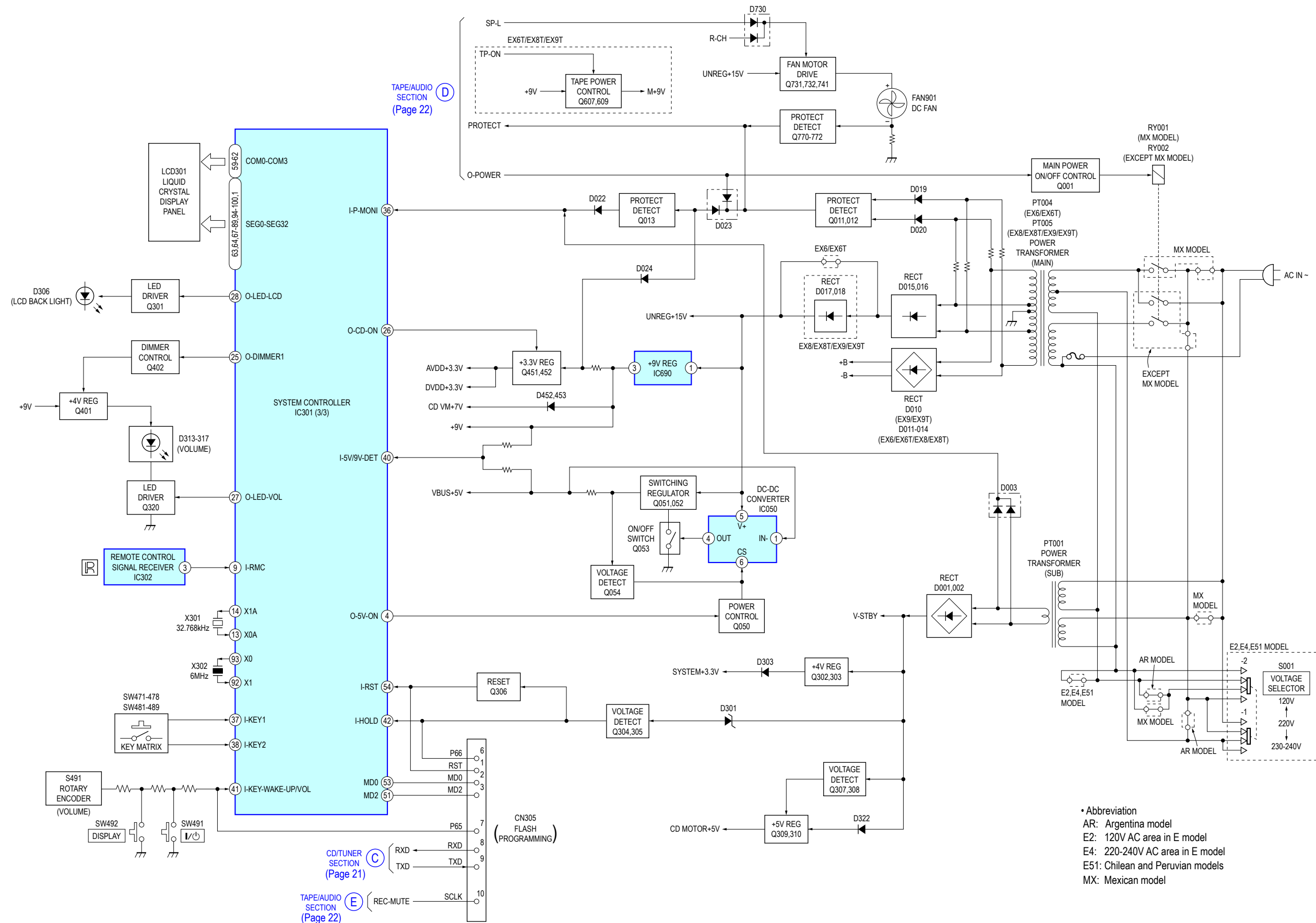
6-1. BLOCK DIAGRAM –CD/TUNER Section –



6-2. BLOCK DIAGRAM -TAPE/AUDIO Section -



6-3. BLOCK DIAGRAM –DISPLAY/POWER SUPPLY Section –



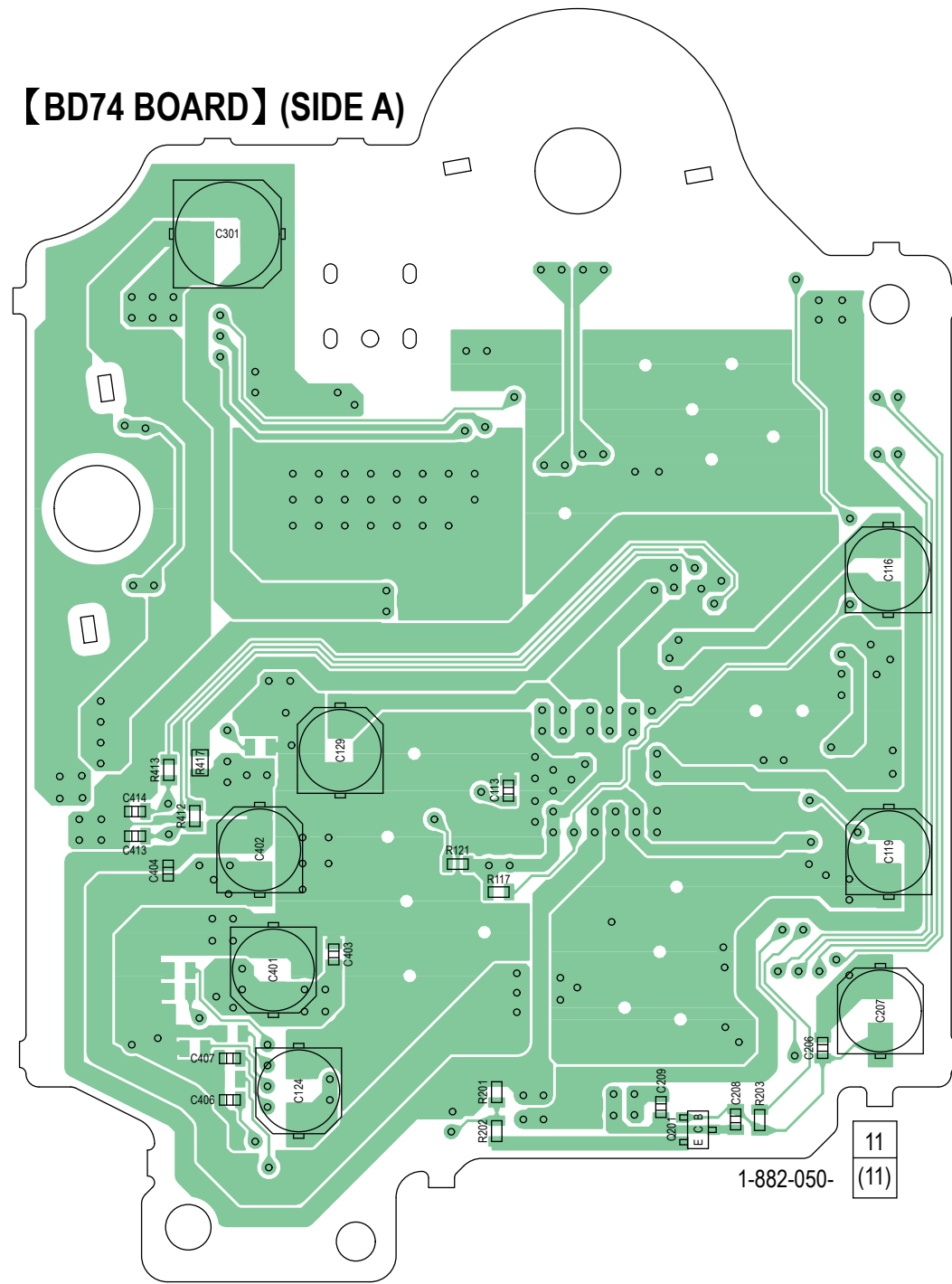
- Abbreviation
- AR: Argentina model
- E2: 120V AC area in E model
- E4: 220-240V AC area in E model
- E51: Chilean and Peruvian models
- MX: Mexican model

6-4. PRINTED WIRING BOARD – CD Section – • See page 18 for Circuit Boards Location. •  : Uses unleaded solder.

1 | 2 | 3 | 4 | 5 | 6 | 7 | 8 | 9 | 10 | 11 | 12 | 13 | 14

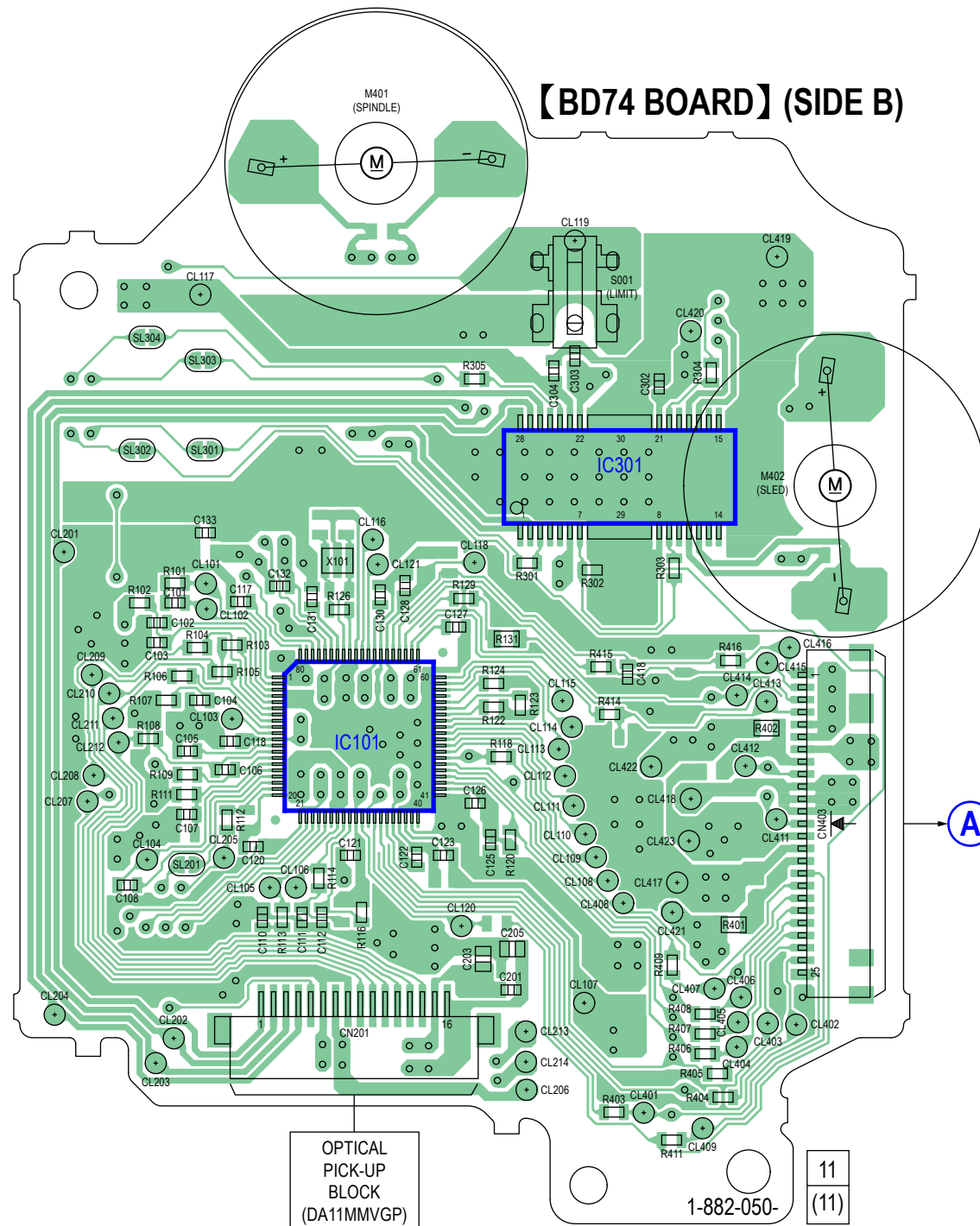
A
B
C
D
E
F
G
H

【BD74 BOARD】 (SIDE A)



1-882-050-
11
(11)

【BD74 BOARD】 (SIDE B)

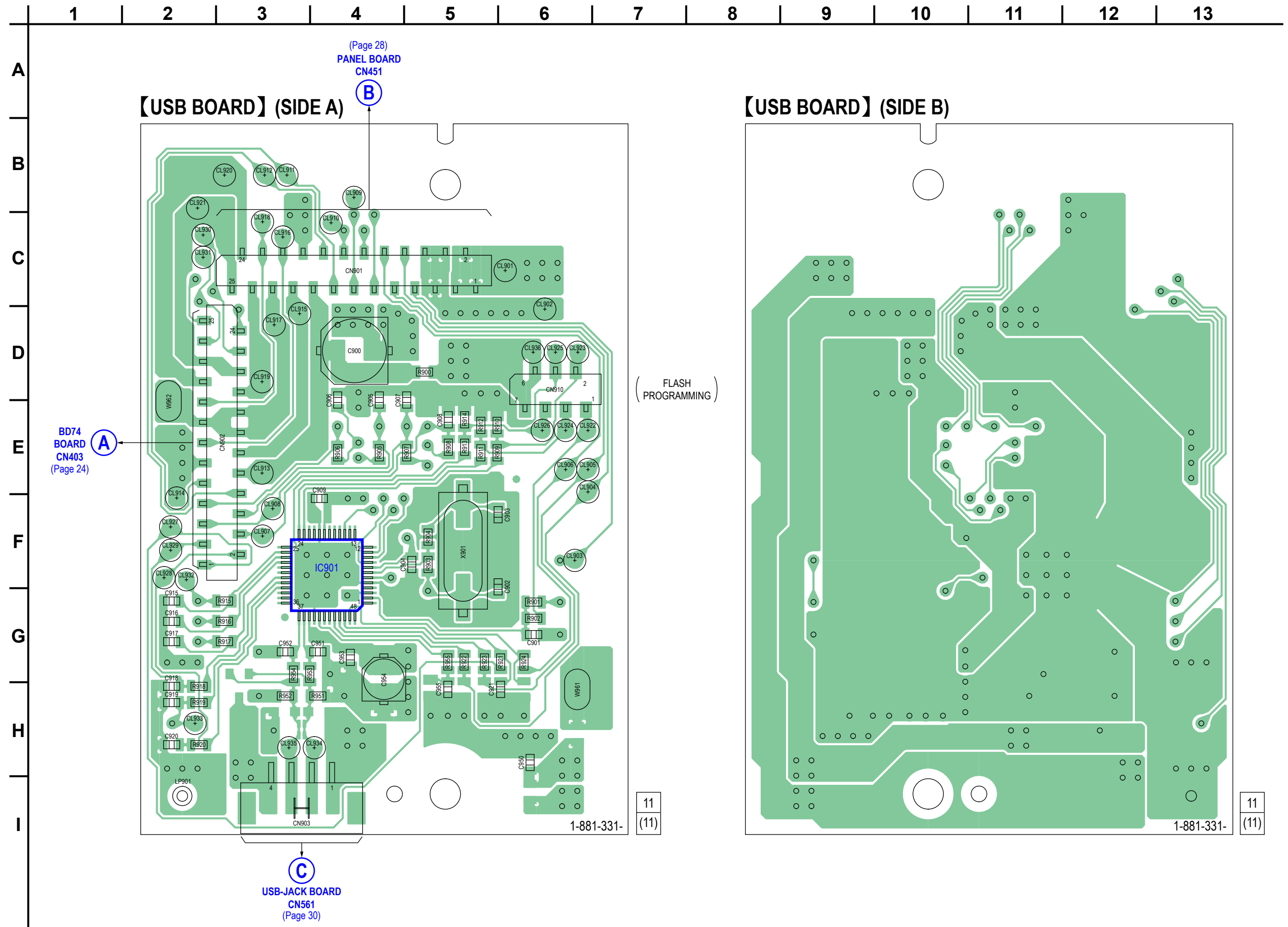


OPTICAL
PICK-UP
BLOCK
(DA11MMVGP)

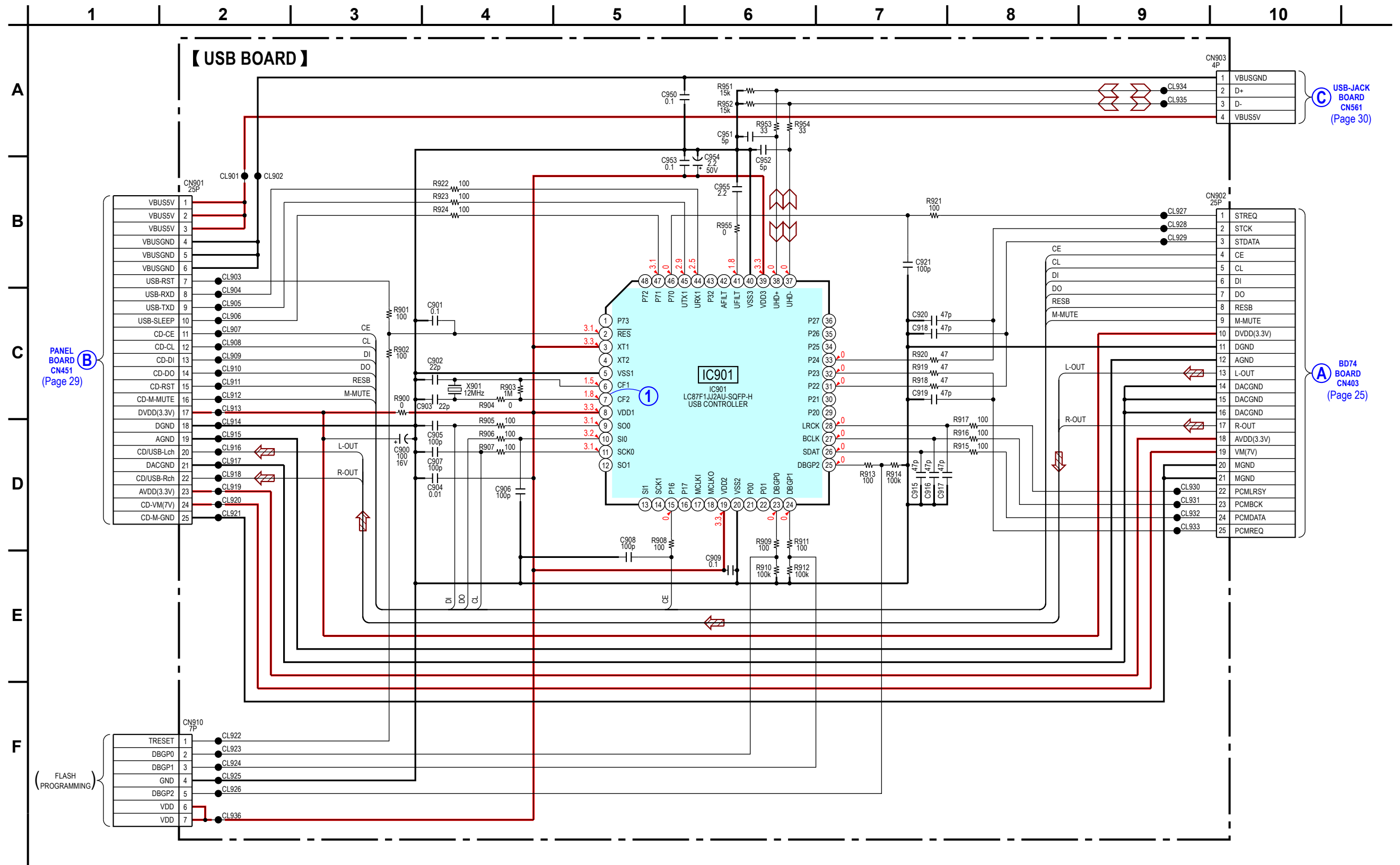
1-882-050-
11
(11)

A USB
BOARD
CN902
(Page 26)

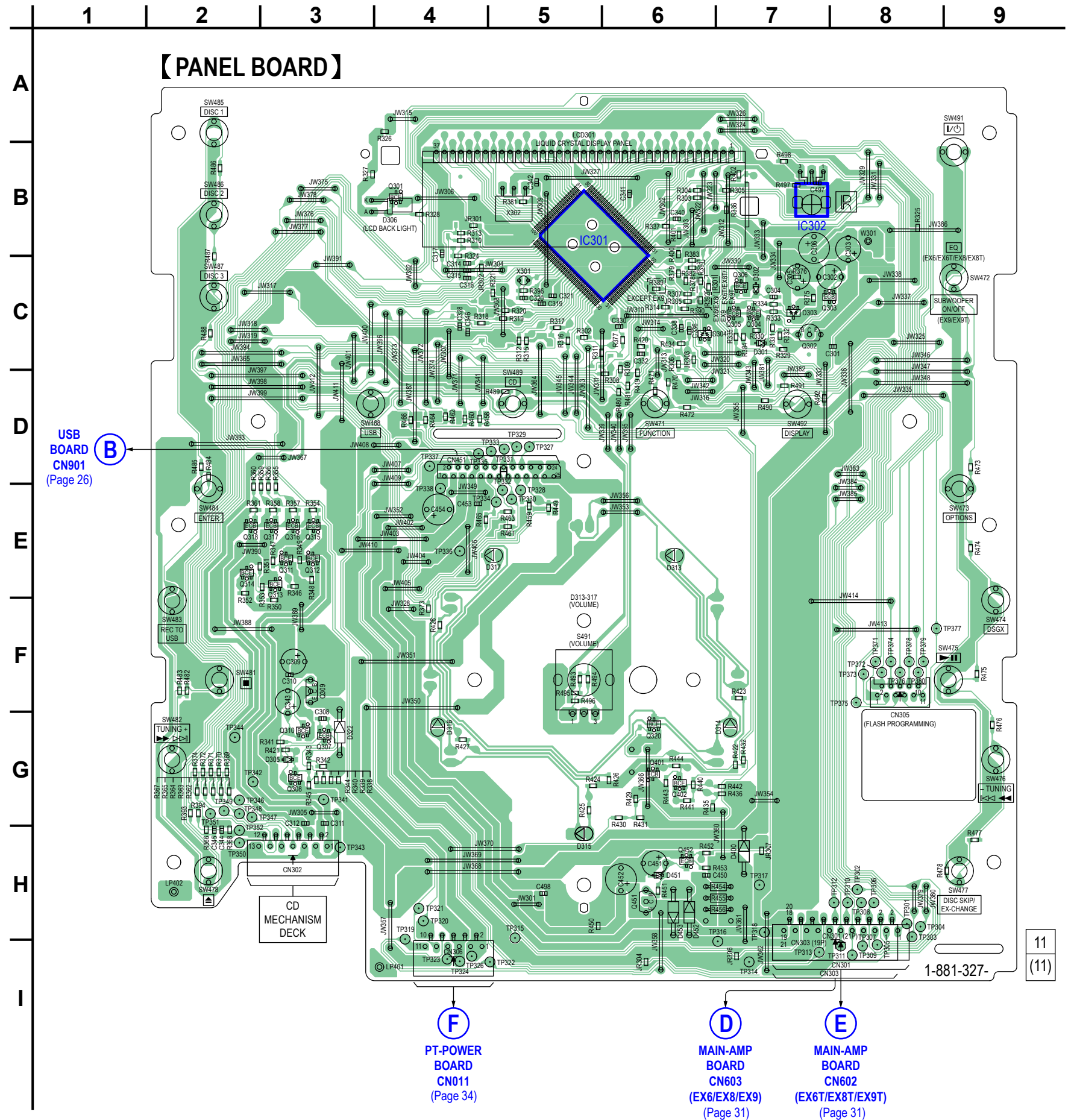
6-6. PRINTED WIRING BOARD – USB Section – • See page 18 for Circuit Boards Location. •  : Uses unleaded solder.



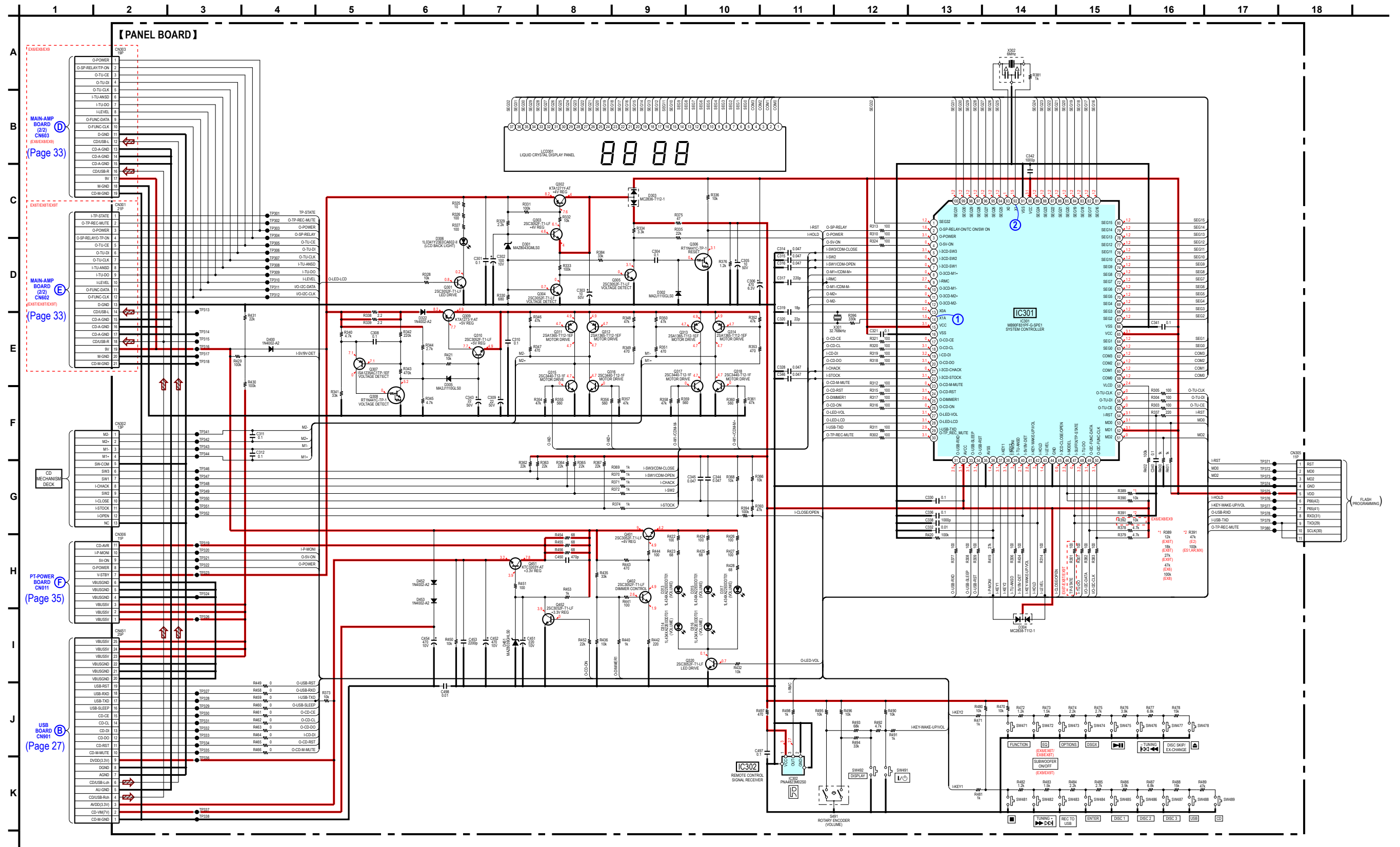
6-7. SCHEMATIC DIAGRAM – USB Section – • See page 20 for Waveform. • See page 43 for IC Pin Function Descriptions of IC901.




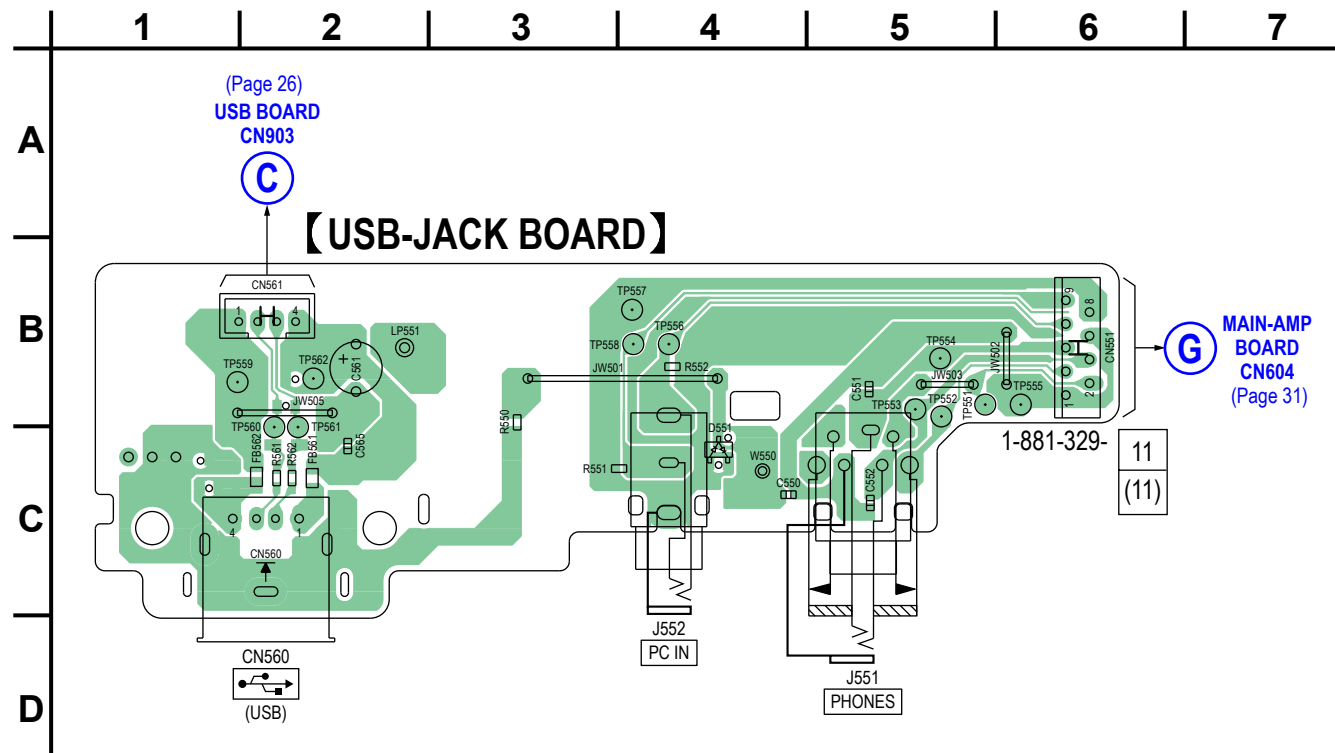
6-8. PRINTED WIRING BOARD – PANEL Section – • See page 18 for Circuit Boards Location. •  : Uses unleaded solder.



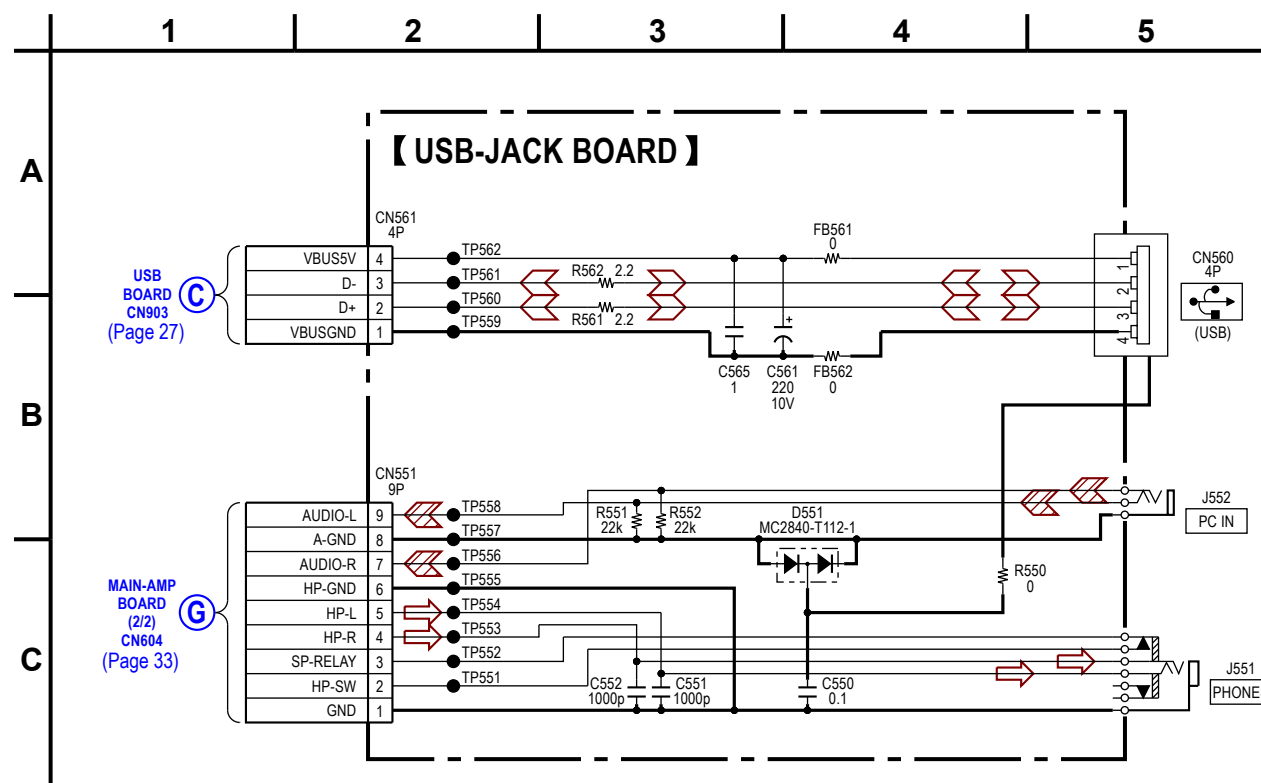
6-9. SCHEMATIC DIAGRAM – PANEL Section – • See page 20 for Waveforms. • See page 44 for IC Pin Function Descriptions of IC301.



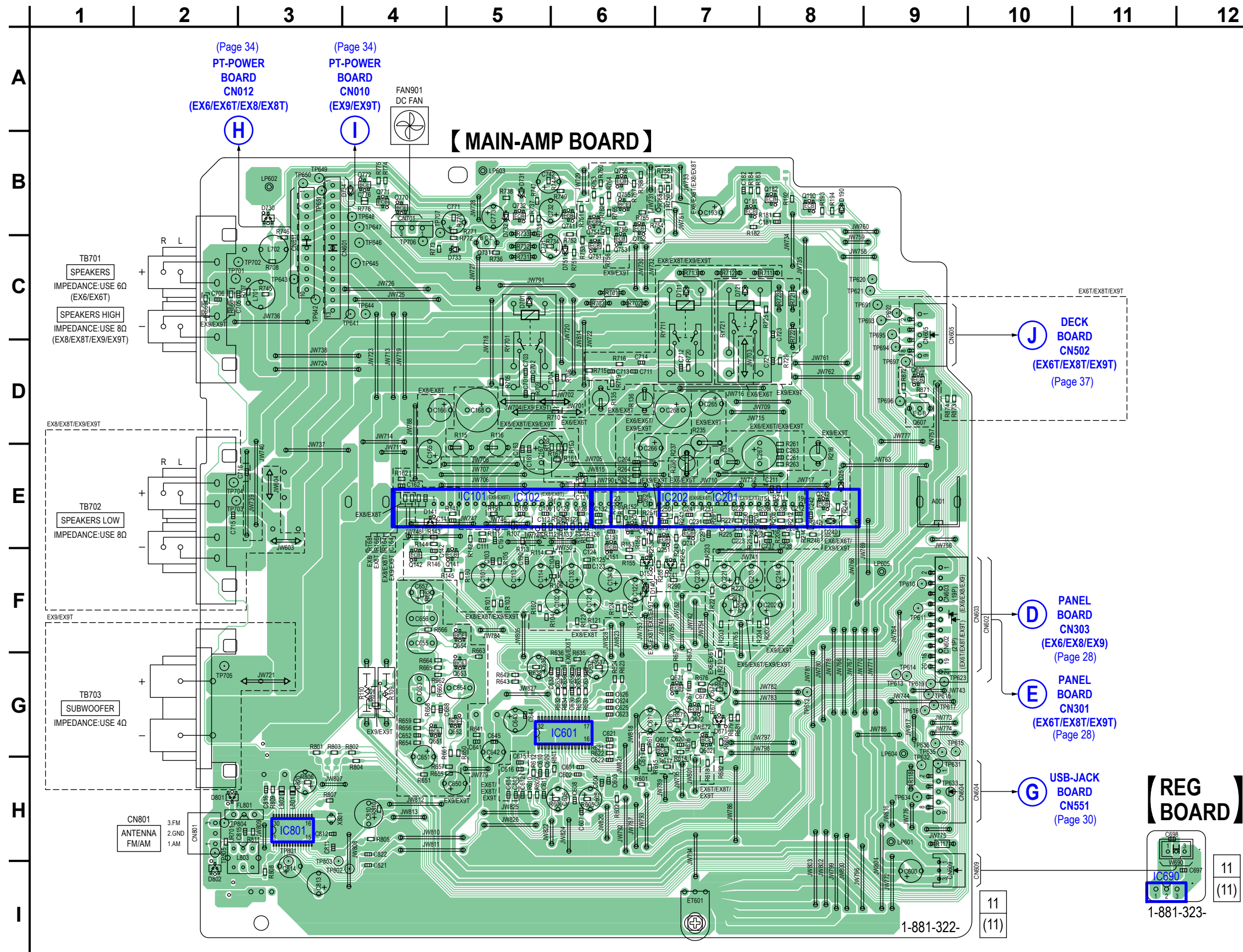
6-10. PRINTED WIRING BOARD – USB-JACK Section – • See page 18 for Circuit Boards Location. •  : Uses unleaded solder.



6-11. SCHEMATIC DIAGRAM – USB-JACK Section –



6-12. PRINTED WIRING BOARDS – MAIN-AMP Section – • See page 18 for Circuit Boards Location. •  : Uses unleaded solder.



(Page 34)
PT-POWER BOARD
CN012
(EX6/EX6T/EX8/EX8T)

(Page 34)
PT-POWER BOARD
CN010
(EX9/EX9T)

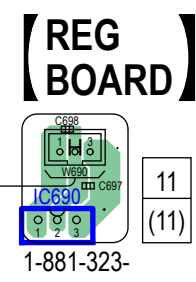


J DECK BOARD
CN502
(EX6T/EX8T/EX9T)
(Page 37)

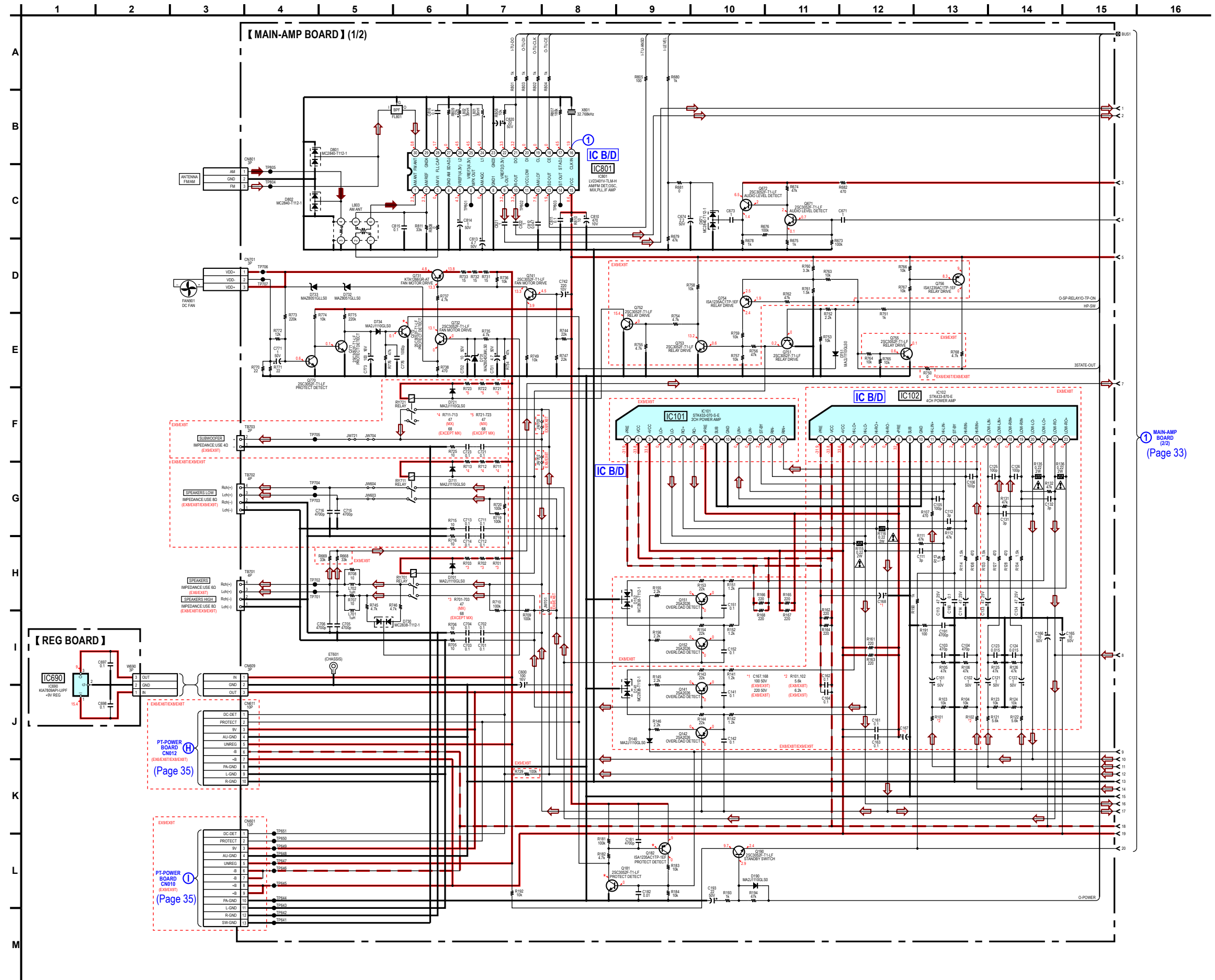
D PANEL BOARD
CN303
(EX6/EX8/EX9)
(Page 28)

E PANEL BOARD
CN301
(EX6T/EX8T/EX9T)
(Page 28)

G USB-JACK BOARD
CN551
(Page 30)

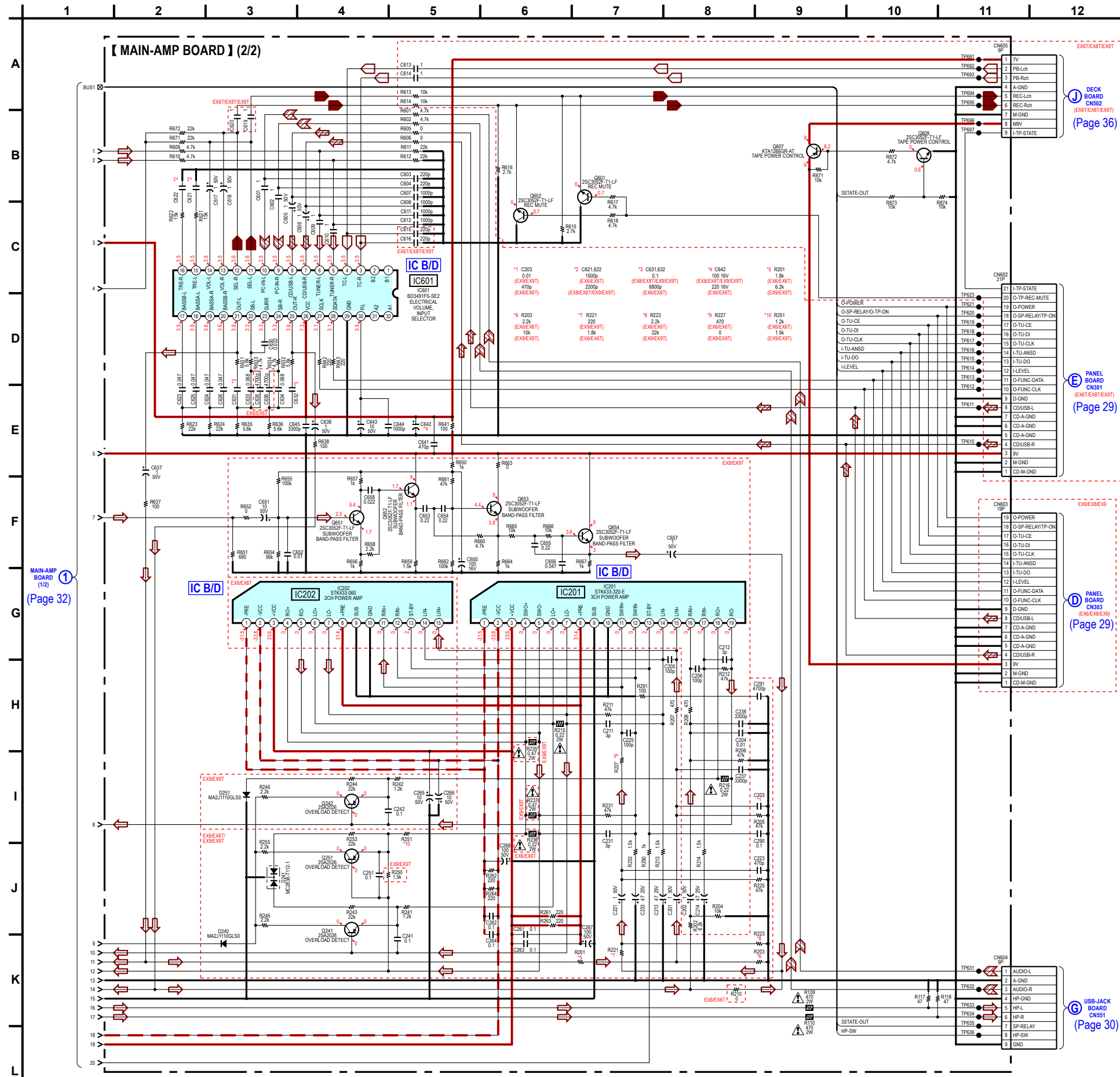


6-13. SCHEMATIC DIAGRAM – MAIN-AMP Section (1/2) – • See page 20 for Waveform. • See page 39 for IC Block Diagrams.



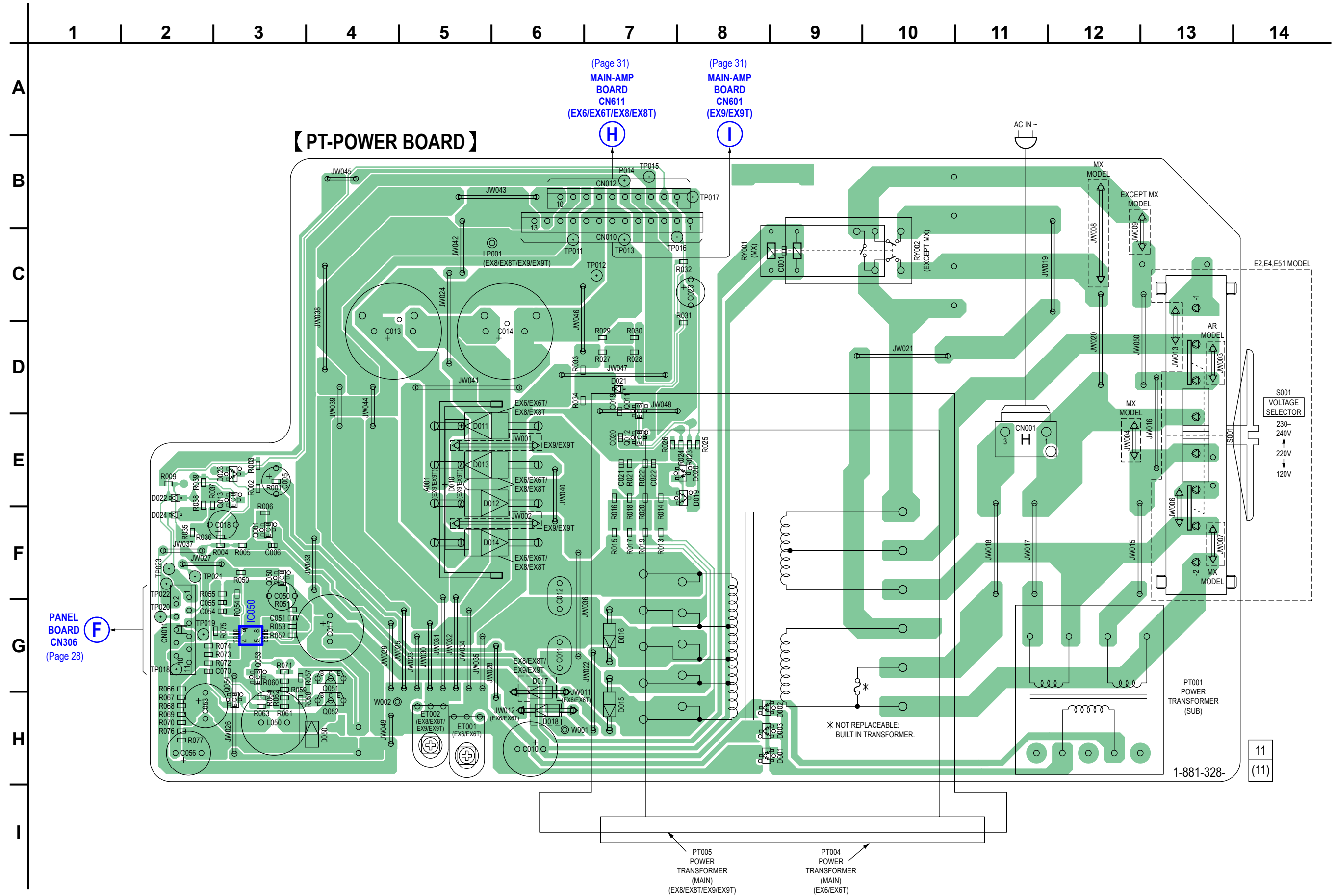
① MAIN-AMP BOARD (2/2) (Page 33)

6-14. SCHEMATIC DIAGRAM – MAIN-AMP Section (2/2) – See page 41 for IC Block Diagrams.

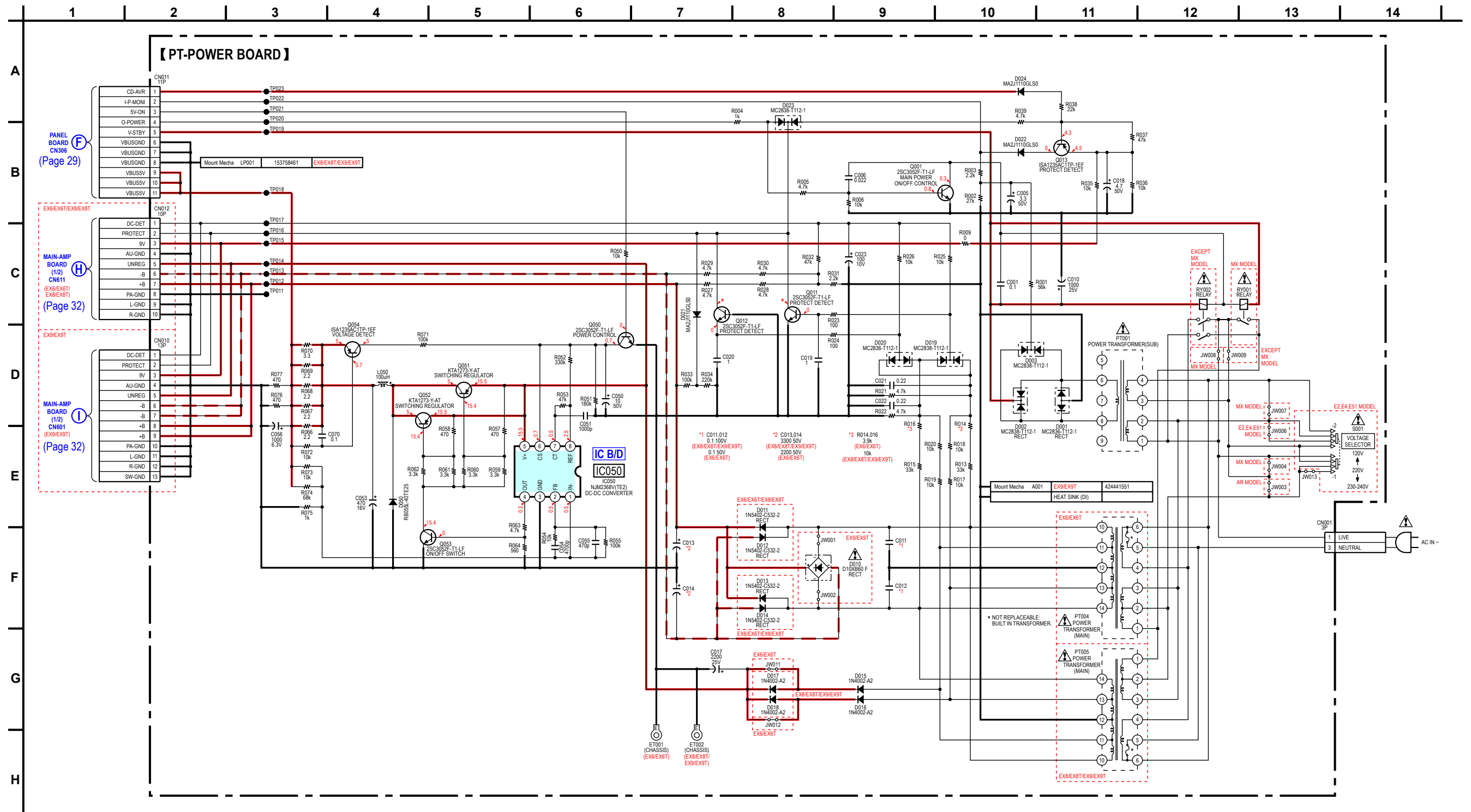


MAIN-AMP BOARD (1/2) (Page 32)

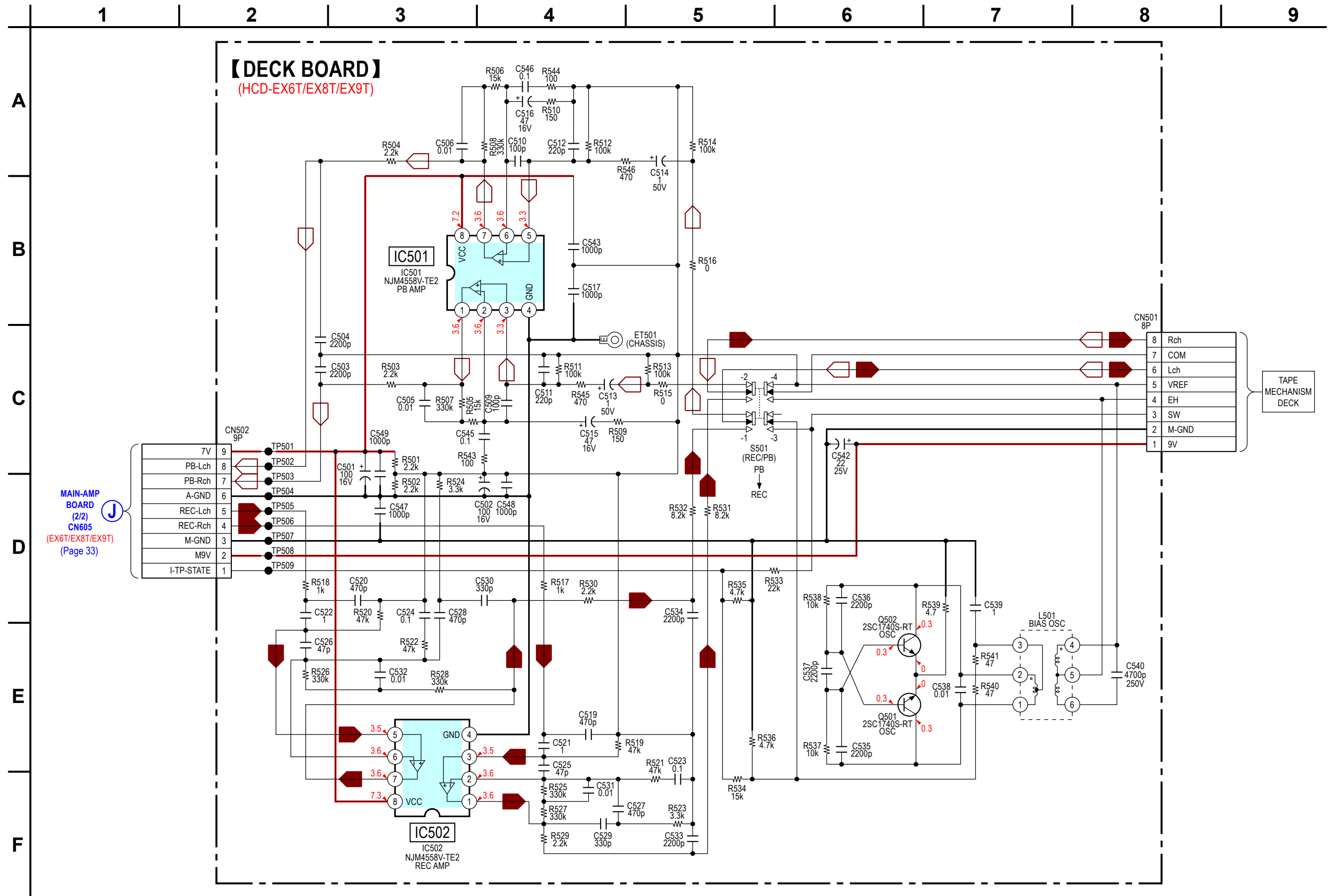
6-15. PRINTED WIRING BOARD – POWER SUPPLY Section – • See page 18 for Circuit Boards Location. •  : Uses unleaded solder.



6-16. SCHEMATIC DIAGRAM – POWER SUPPLY Section – • See page 42 for IC Block Diagram.

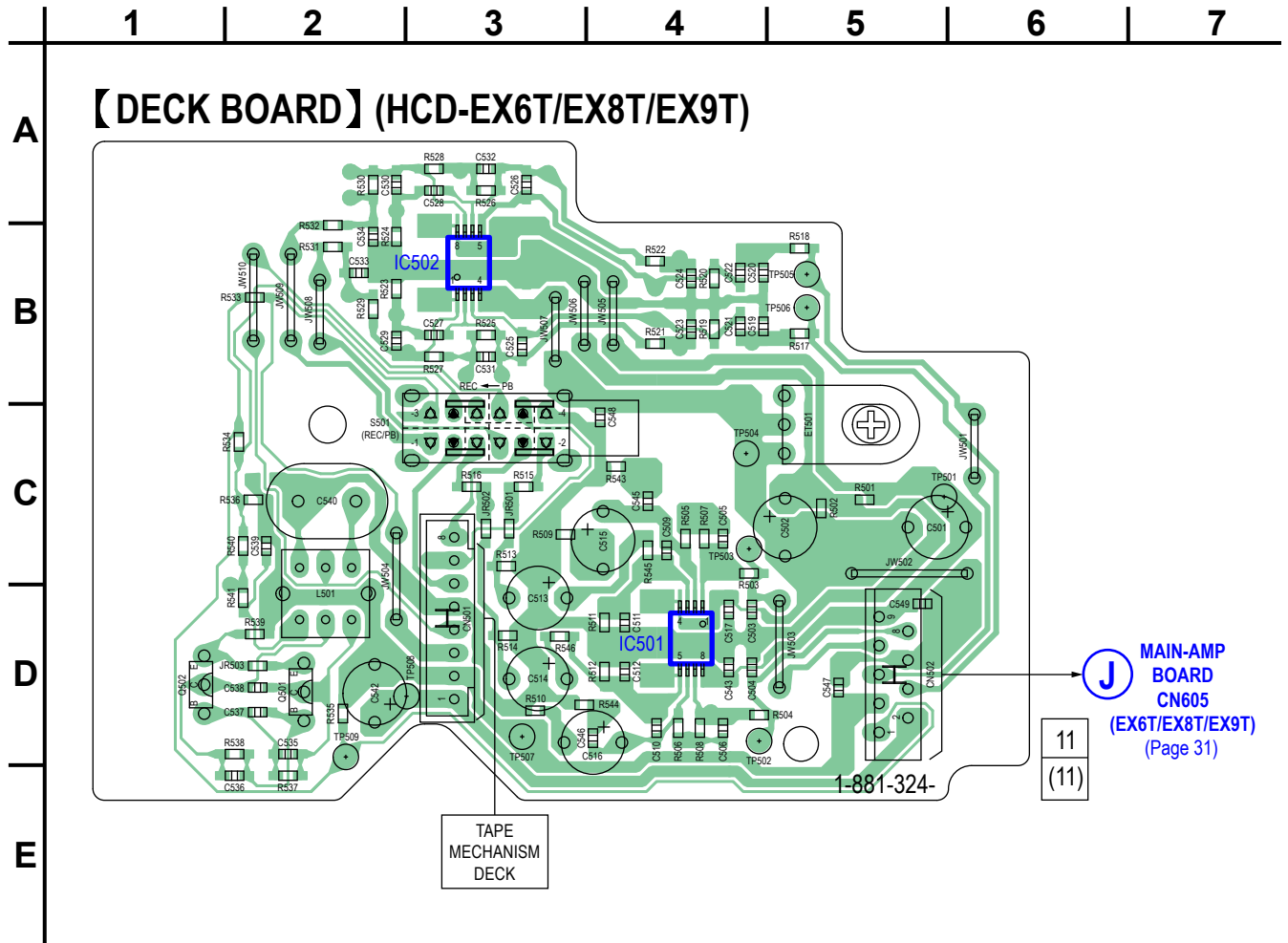


6-17. SCHEMATIC DIAGRAM – TAPE DECK Section (HCD-EX6T/EX8T/EX9T) –



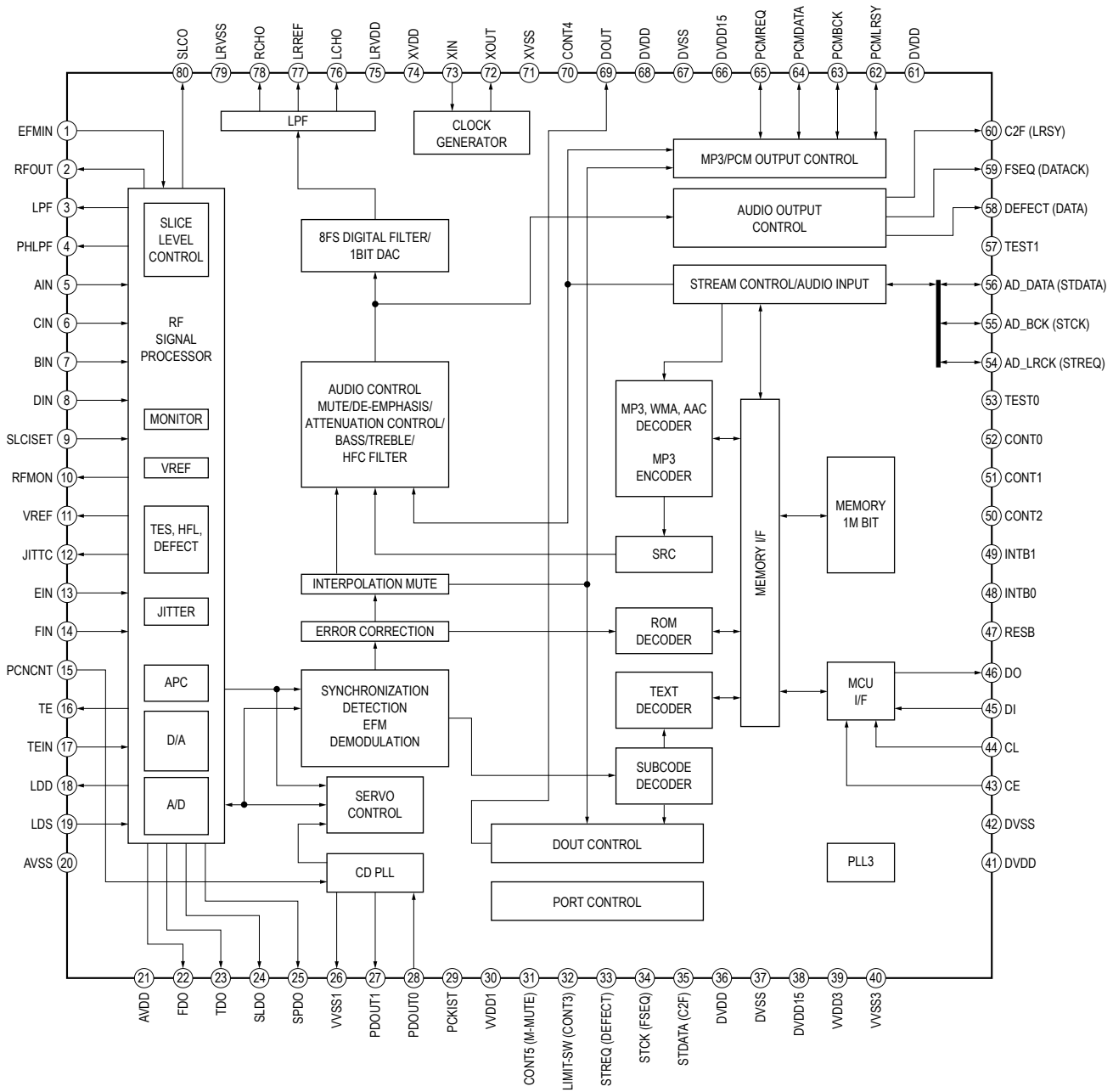
6-18. PRINTED WIRING BOARD – TAPE DECK Section (HCD-EX6T/EX8T/EX9T) –

• See page 18 for Circuit Boards Location. •  : Uses unleaded solder.

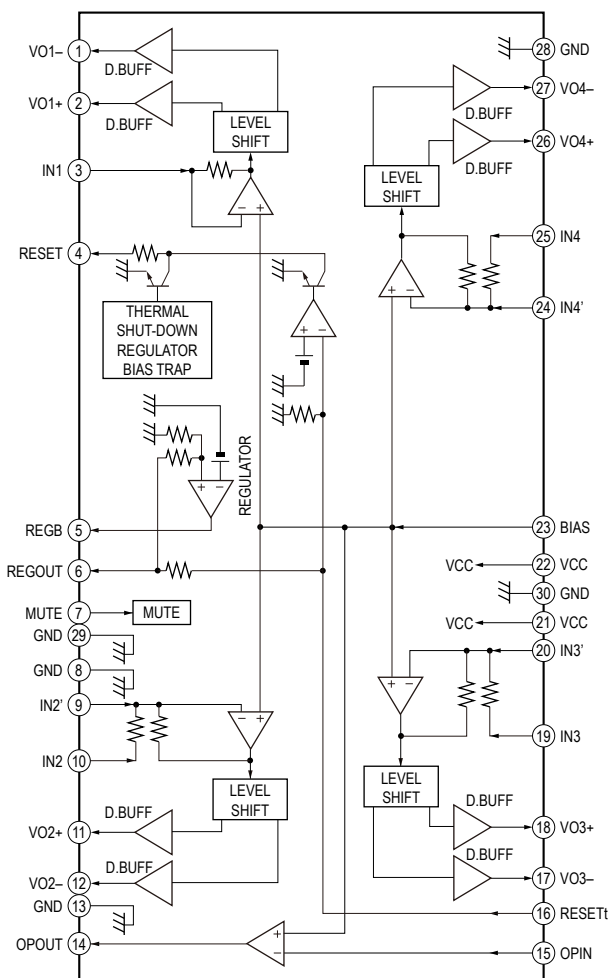


• IC Block Diagrams

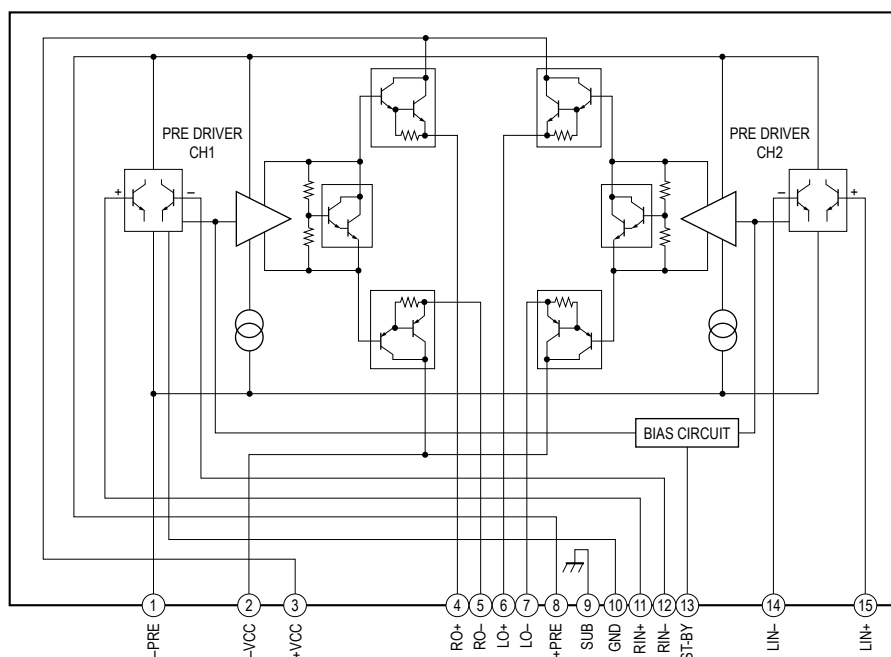
IC101 LC786950T-US-H (BD74 Board)



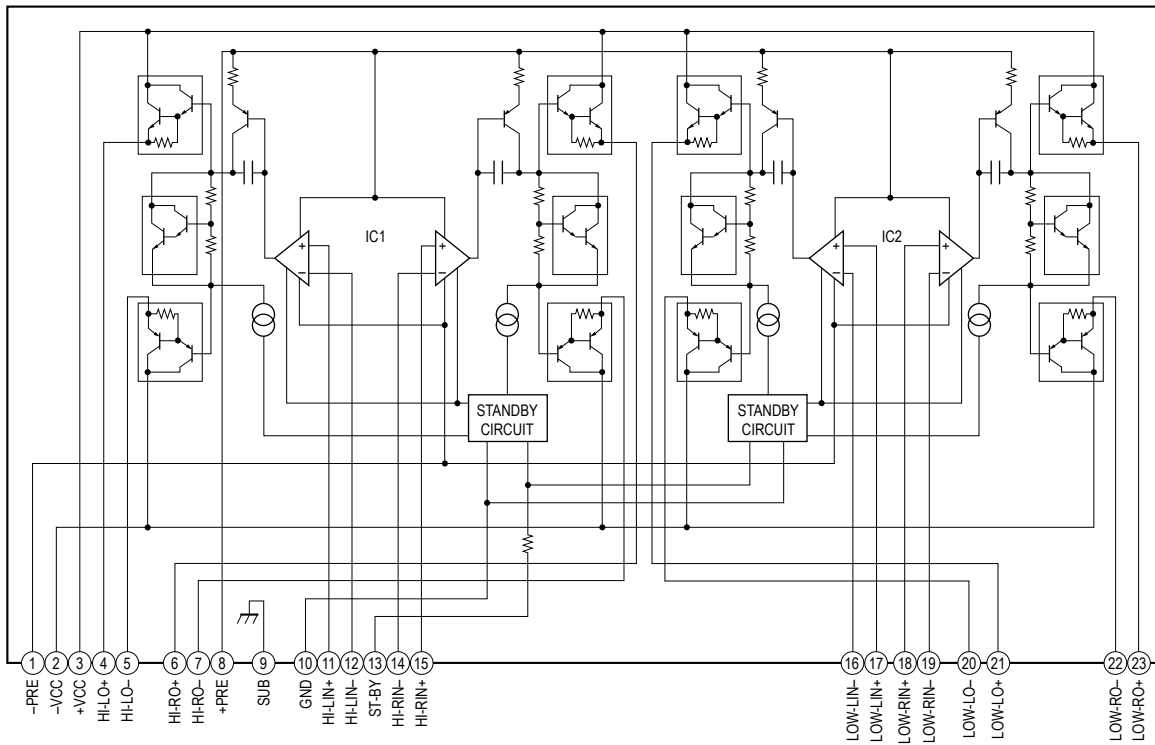
IC301 BA5826HFP-E2 (BD74 Board)



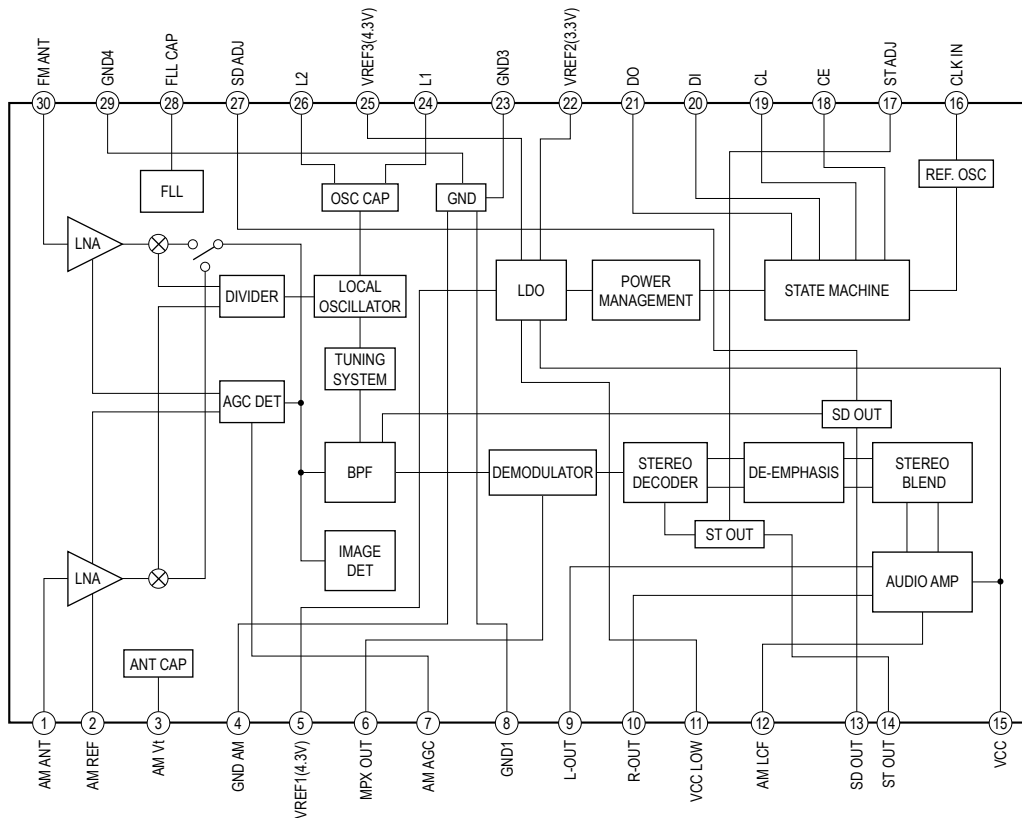
IC101 STK433-070-S-E (MAIN-AMP Board (1/2)) (HCD-EX9/EX9T only)



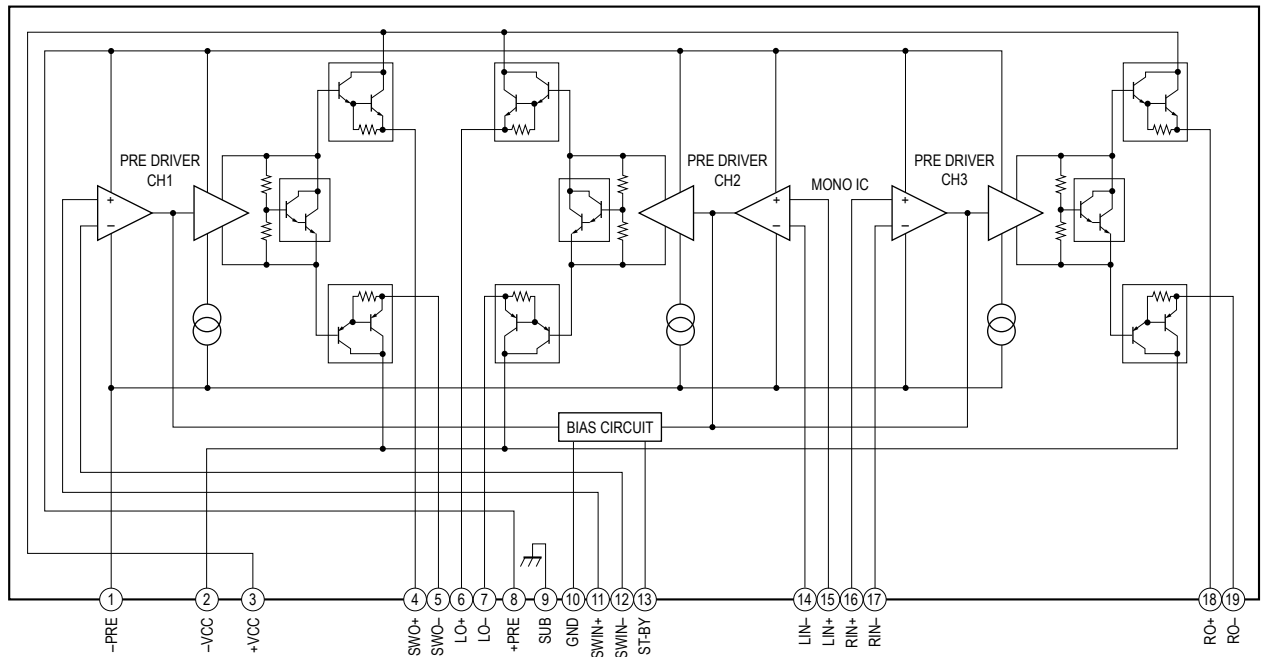
IC102 STK433-870-E (MAIN-AMP Board (1/2)) (HCD-EX8/EX8T only)



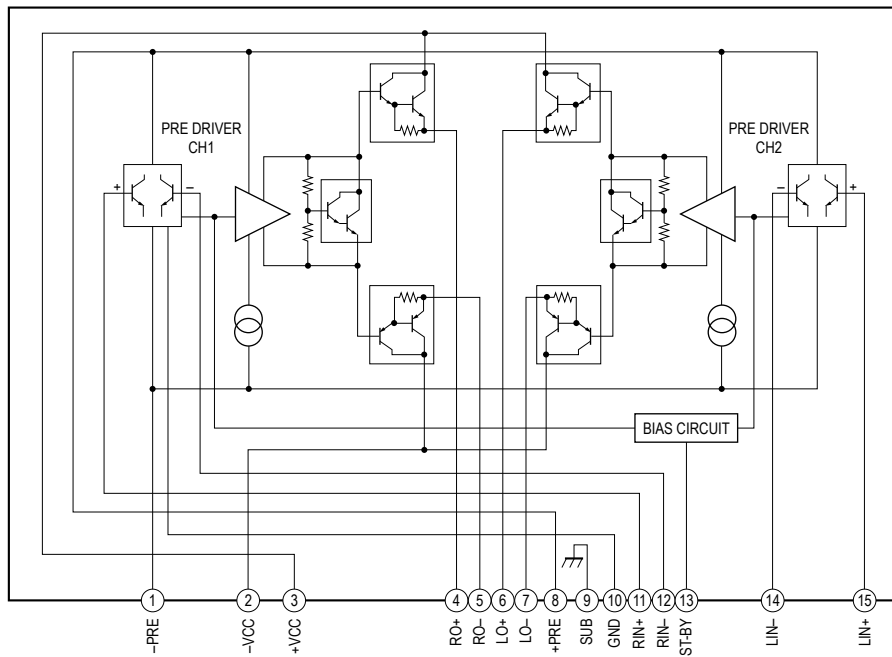
IC801 LV23401V-TLM-H (MAIN-AMP Board (1/2))



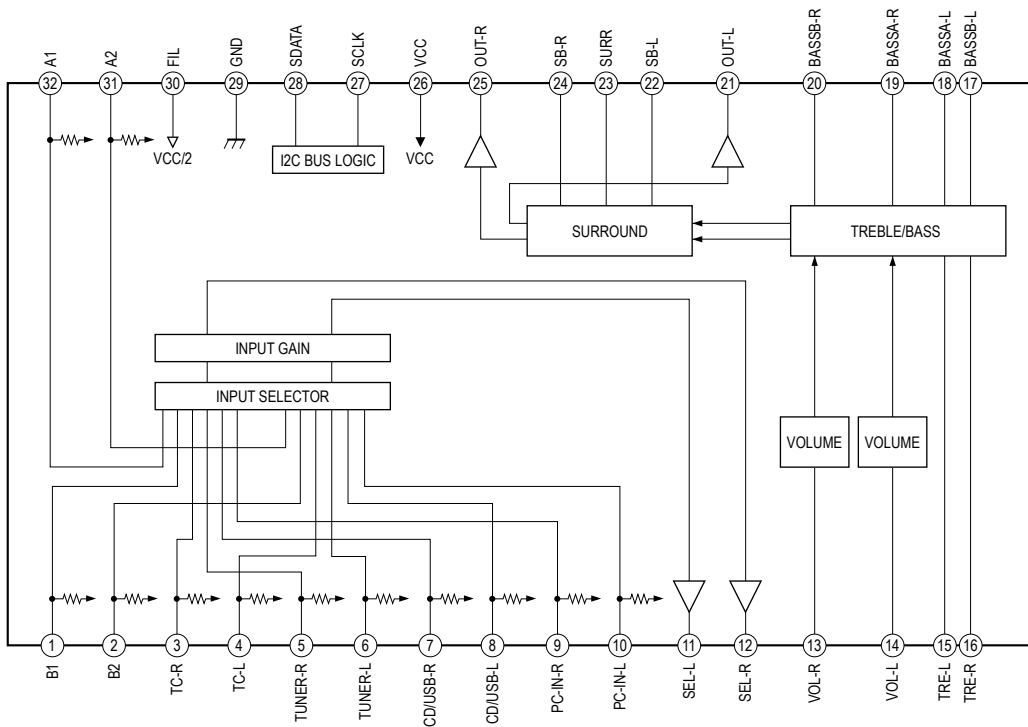
IC201 STK433-320-E (MAIN-AMP Board (2/2)) (HCD-EX9/EX9T only)



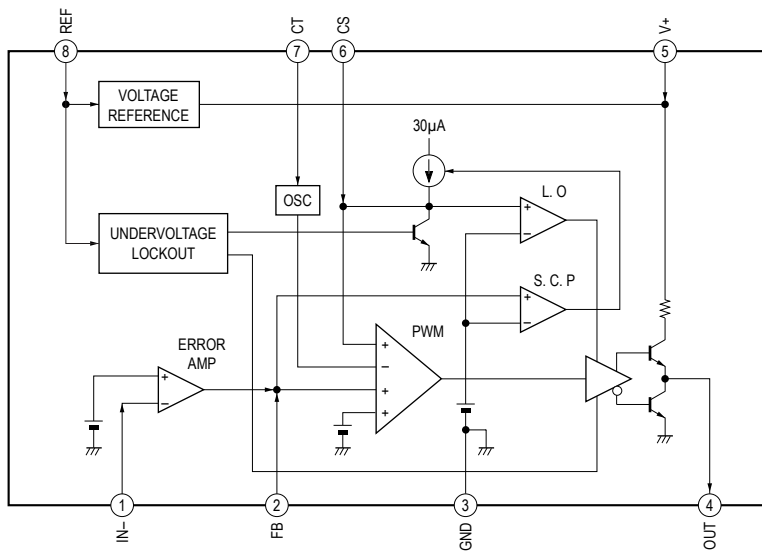
IC202 STK433-060 (MAIN-AMP Board (2/2)) (HCD-EX6/EX6T only)



IC601 BD3491FS-SE2 (MAIN-AMP Board (2/2))



IC050 NJM2368V(TE2) (PT-POWER Board)



• IC Pin Function Descriptions

USB BOARD IC901 LC87F1JJ2AU-SQFP-H (USB CONTROLLER)

Pin No.	Pin Name	I/O	Description
1	P73	O	Not used. (Open)
2	RES	—	USB control reset pin
3	XT1	—	Not used. (Connect to VDD)
4	XT2	O	Not used. (Open)
5	VSS1	—	Ground
6	CF1	I	Oscillation signal input (12 MHz)
7	CF2	O	Oscillation signal output (12 MHz)
8	VDD1	—	Power supply pin (+3.3 V)
9	SO0	O	CD digital signal processor serial data communication signal output
10	SI0	I	CD digital signal processor serial data communication signal input
11	SCK0	I/O	CD digital signal processor clock communication signal input/output
12	SO1	O	Not used. (Open)
13	SI1	O	Not used. (Open)
14	SCK1	O	Not used. (Open)
15	P16	I	CD digital signal processor enable communication signal input
16	P17	O	Not used. (Open)
17	MCLKI	O	Not used. (Open)
18	MCLKO	O	Not used. (Open)
19	VDD2	—	Power supply pin (+3.3 V)
20	VSS2	—	Ground
21, 22	P00, P01	O	Not used. (Open)
23 to 25	DBGP0 to DBGP2	O	For debugger pin
26	SDAT	I	USB record MP3 serial data signal input
27	BCLK	I	USB record MP3 serial data shift clock signal input
28	LRCK	I	USB record MP3 serial data word clock signal input
29, 30	P20, P21	O	Not used. (Open)
31	P22	O	USB playback serial data signal output
32	P23	O	USB record MP3 serial data request signal output
33	P24	O	USB playback serial data communication clock signal output
34 to 36	P25 to P27	O	Not used. (Open)
37	UHD-	I/O	USB D- serial data input/output
38	UHD+	I/O	USB D+ serial data input/output
39	VDD3	—	Power supply pin (+3.3 V)
40	VSS3	—	Ground
41	UFILT	I	USB interface PLL filter circuit connection pin (Fixed at L in this set)
42	AFILT	O	Not used. (Open)
43	P32	O	Not used. (Open)
44	URX1	I	System controller input communication signal input
45	UTX1	O	System controller output communication signal output
46	P70	I	USB playback serial data request signal input
47	P71	I	USB controller command processing cancel signal input
48	P72	O	Not used. (Open)

HCD-EX6/EX6T/EX8/EX8T/EX9/EX9T

PANEL BOARD IC301 MB90F831PF-G-SPE1 (SYSTEM CONTROLLER)

Pin No.	Pin Name	I/O	Description
1	SEG32	O	Segment drive signal output for the liquid crystal display panel
2	O-SP-RELAY-ON/ TC ON/SW ON	O	Speaker relay drive signal output, tape power ON/OFF control signal output (HCD-EX6T/ EX8T/EX9T) and subwoofer function ON/OFF control signal output (HCD-EX9/EX9T)
3	O-POWER	O	Main power ON/OFF control signal output (H: main power ON)
4	O-5V-ON	O	CD and VBUS power ON/OFF control signal output (H: CD and VBUS power ON)
5	I-3CD-SW3	I	CD motor disc tray close switch detection signal input from the CD mechanism deck
6	I-3CD-SW2	I	CD motor disc tray address switch detection signal input from the CD mechanism deck
7	I-3CD-SW1	I	CD motor disc tray open switch detection signal input from the CD mechanism deck
8	O-3CD-M1+	O	CD spindle motor drive (+) signal output for the CD mechanism deck
9	I-RMC	I	Remote control signal input from the remote control signal receiver
10	O-3CD-M1-	O	CD spindle motor drive (-) signal output for the CD mechanism deck
11	O-3CD-M2+	O	CD sled motor drive (+) signal output for the CD mechanism deck
12	O-3CD-M2-	O	CD sled motor drive (-) signal output for the CD mechanism deck
13	X0A	I	Sub system clock signal input (32.768 kHz)
14	X1A	O	Sub system clock signal output (32.768 kHz)
15	VCC	—	Power supply pin (+3.3 V)
16	VSS	—	Ground
17	O-CD-CE	O	Chip enable signal output for the CD-MP3 processor
18	O-CD-CL	O	Clock signal output for the CD-MP3 processor
19	I-CD-DI	I	Serial data input from the CD-MP3 processor
20	O-CD-DO	O	Serial data output for the CD-MP3 processor
21	I-3CD-CHACK	I	Chucking switch detection signal input from the CD mechanism deck
22	I-3CD-STOCK	I	Stock switch detection signal input from the CD mechanism deck
23	O-CD-M-MUTE	O	CD motor drive ON/OFF mute control signal output for the CD motor/coil driver
24	O-CD-RST	O	System reset signal output for the CD-MP3 processor
25	O-DIMMER1	O	Volume LED dimmer control signal output
26	O-CD-ON	O	Digital power supply control signal output for the CD-MP3 processor
27	O-LED-VOL	O	Volume LED drive control signal output
28	O-LED-LCD	O	LCD back light LED drive control signal output
29	I-USB-TXD	I	USB TX signal input from the USB controller
30	O-TP_REC_MUTE	O	Tape REC mute signal output for the tape mechanism deck
31	O-USB-RXD	O	USB RX signal output for the USB controller
32	AVCC	—	Power supply pin (+3.3 V)
33	O-USB-SLEEP	O	Sleep control signal output for the USB controller
34	O-USB-RST	O	System reset signal output for the USB controller
35	AVSS	—	Ground
36	I-P-MONI	I	Power monitor signal input
37, 38	I-KEY1, I-KEY2	I	Front panel key signal input (A/D input)
39	I-TU-ANSD	I	Auto gain control signal input
40	I-5V/9V-DET	I	Power supply voltage detection signal input
41	I-KEY-WAKE-UP/VOL	I	Front panel key wake-up signal input/volume control signal input
42	I-HOLD	I	Micon stop mode control signal input
43	I-LEVEL	I	Audio level detection signal input
44	GND	—	Ground
45	I-3CD-CLOSE/OPEN	I	Disc tray close/open detection signal input from the CD mechanism deck
46	I-MODEL	I	Model setting pin
47	I-SUFFIX/TP-STATE	I	Destination setting pin/tape state detection signal input (HCD-EX6T/EX8T/EX9T)
48	I-TU-DO	I	Serial data input from the AM/FM DET
49	O-I2C-FUNC-DATA	O	Serial data output for the electrical volume
50	O-I2C-FUNC-CLK	O	Serial data transfer clock signal output for the electrical volume
51	MD2	—	Not used. (Fixed at L in this set)
52	MD1	—	Not used. (Connect to VDD)
53	MD0	—	Not used. (Fixed at H in this set)
54	I-RST	I	Reset signal input (L: reset)
55	O-TU-CE	O	Chip enable signal output for the AM/FM DET
56	O-TU-DI	O	Serial data output for the AM/FM DET
57	O-TU-CLK	O	Serial data transfer clock signal output for the AM/FM DET
58	VLCD	—	Terminal for doubler circuit capacitor connection to develop liquid crystal display panel drive voltage

Pin No.	Pin Name	I/O	Description
59 to 62	COM0 to COM3	O	Common drive signal output for the liquid crystal display panel
63, 64	SEG0, SEG1	O	Segment drive signal output for the liquid crystal display panel
65	VCC	—	Power supply pin (+3.3 V)
66	VSS	—	Ground
67 to 89	SEG2 to SEG24	O	Segment drive signal output for the liquid crystal display panel
90	VCC	—	Power supply pin (+3.3 V)
91	VSS	—	Ground
92	X1	I	Main system clock signal input (6 MHz)
93	X0	O	Main system clock signal output (6 MHz)
94 to 100	SEG25 to SEG31	O	Segment drive signal output for the liquid crystal display panel

SECTION 7 EXPLODED VIEWS

Note:

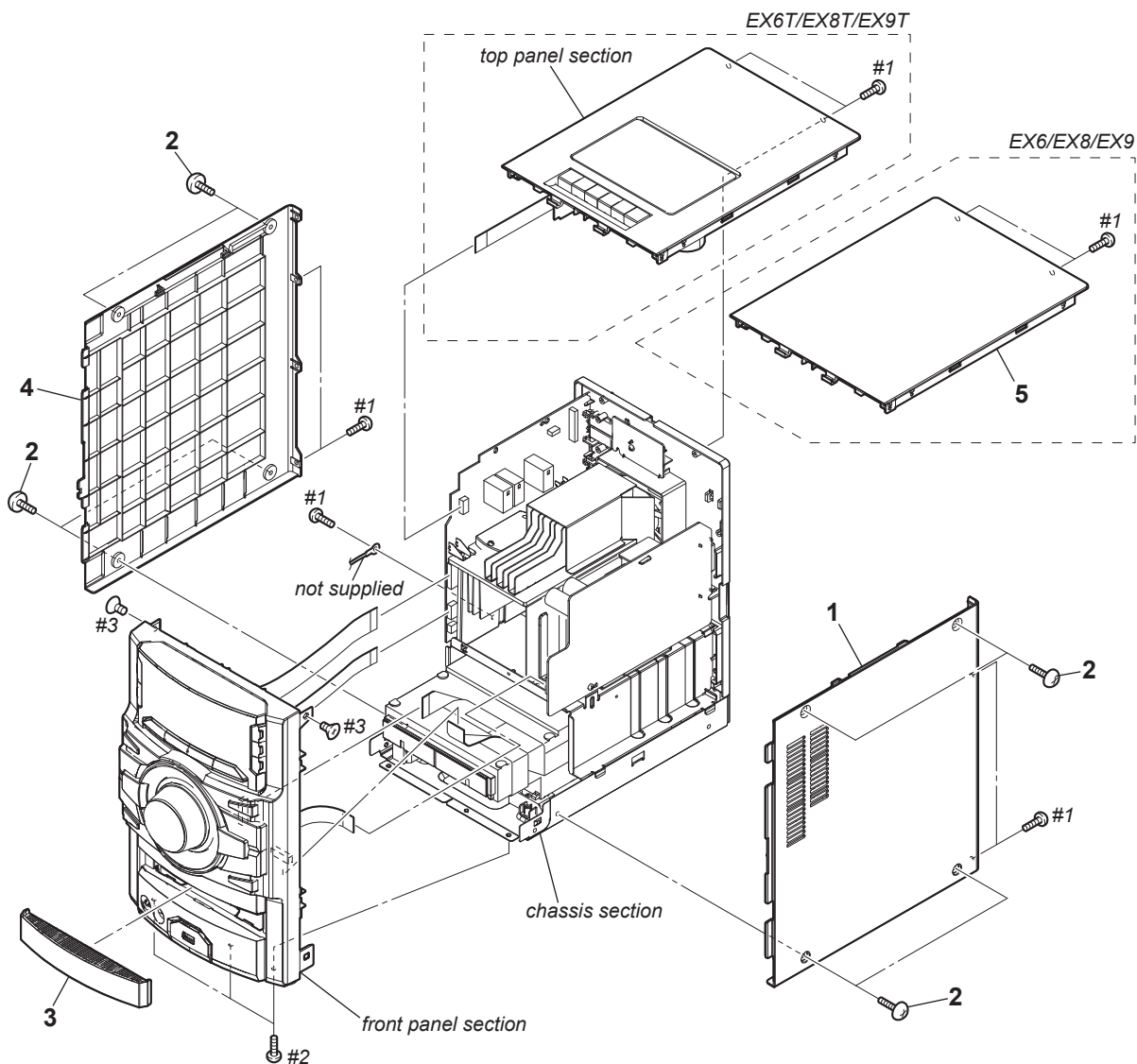
- -XX and -X mean standardized parts, so they may have some difference from the original one.
- Items marked “*” are not stocked since they are seldom required for routine service. Some delay should be anticipated when ordering these items.
- The mechanical parts with no reference number in the exploded views are not supplied.

- Color Indication of Appearance Parts Example:
 KNOB, BALANCE (WHITE) . . . (RED)
 ↑ ↑
 Parts Color Cabinet's Color

- Abbreviation
 AR : Argentina model
 E2 : 120V AC area in E model
 E4 : 220 – 240V AC area in E model
 E51 : Chilean and Peruvian models
 MX : Mexican model

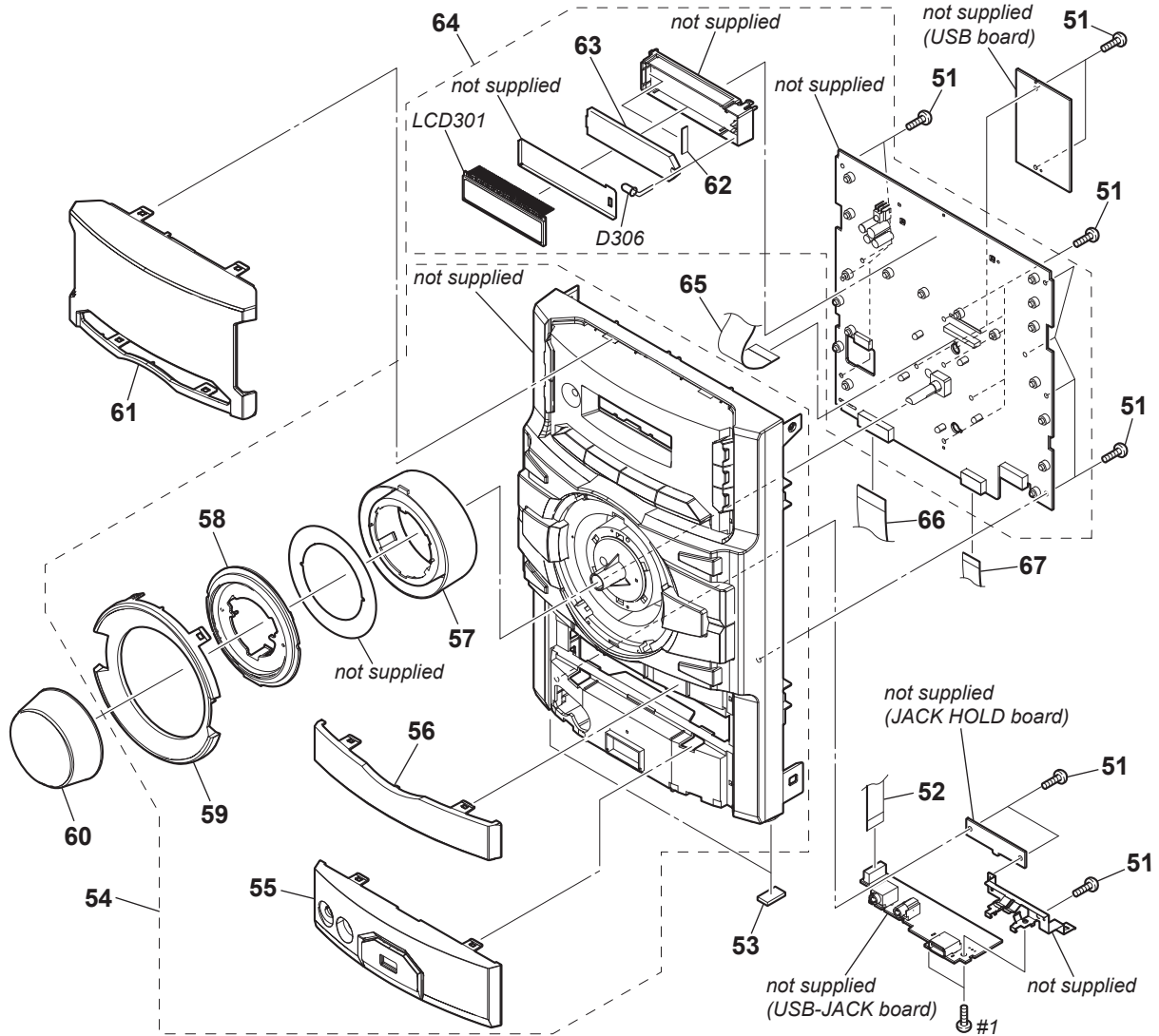
The components identified by mark \triangle or dotted line with mark \triangle are critical for safety.
 Replace only with part number specified.

7-1. OVERALL SECTION



Ref. No.	Part No.	Description	Remark	Ref. No.	Part No.	Description	Remark
1	4-165-543-01	PANEL (R), SIDE		5	2-890-829-11	PANEL (TOP) (EX6/EX8/EX9)	
2	3-363-099-32	SCREW (CASE 3 TP2)		#1	7-685-647-79	SCREW +BVTP 3X10 TYPE2 IT-3	
3	4-162-313-01	PANEL, LOADING		#2	7-685-872-01	SCREW +BVTT 3X8 (S)	
4	4-166-536-01	PANEL (L), SIDE		#3	7-685-247-14	SCREW +KTP 3X10 TYPE2 NON-SLIT	

7-2. FRONT PANEL SECTION

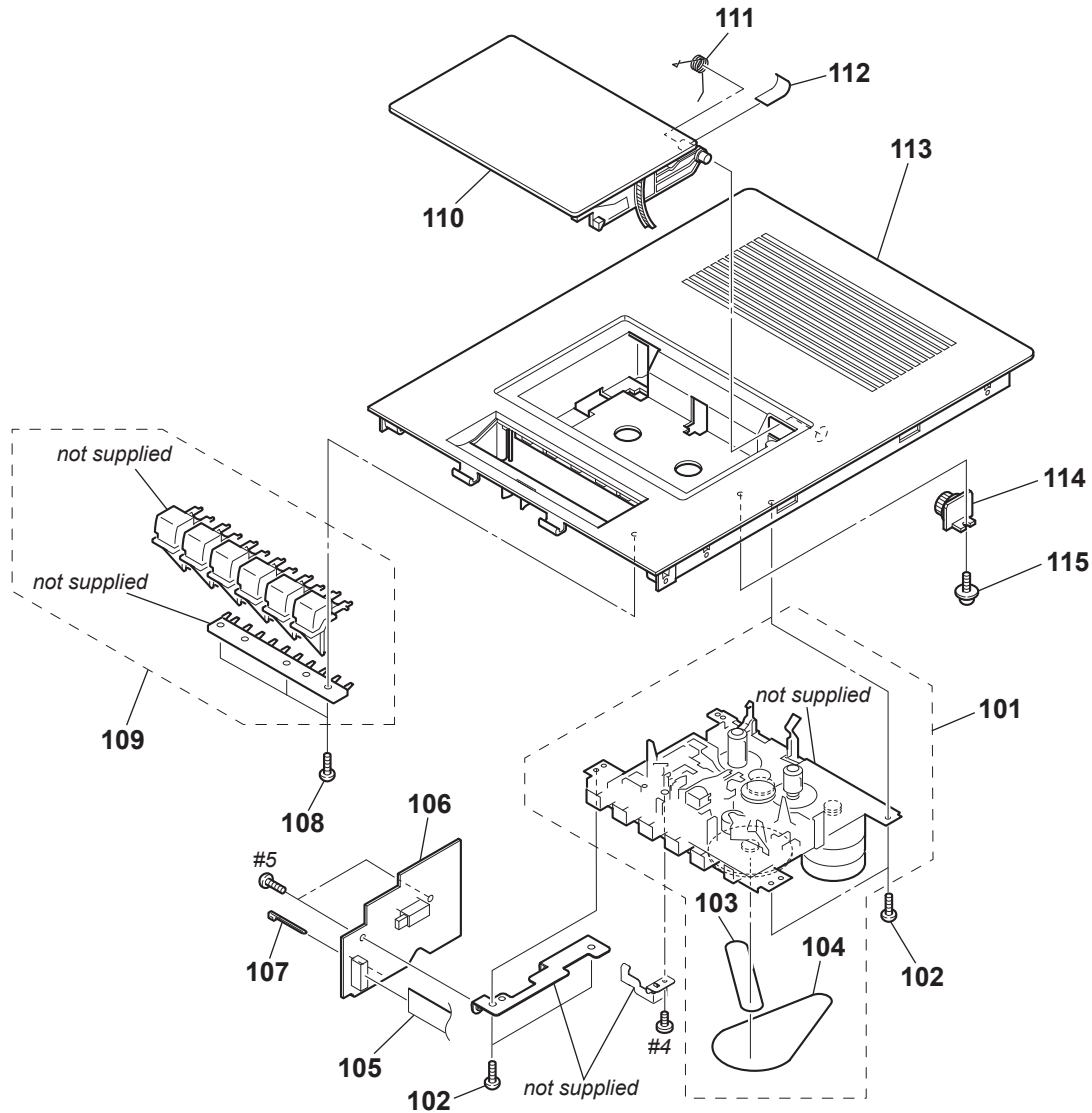


Note: If the wire (flat type) was replaced, fold it some as the wire (flat type) before replacement.

Ref. No.	Part No.	Description	Remark	Ref. No.	Part No.	Description	Remark
51	3-087-053-01	+BVTP2.6 (3CR)		63	2-649-178-01	PLATE, LIGHT GUIDE	
52	1-832-817-21	CABLE, FLEXIBLE FLAT (9 CORE)		64	A-1748-811-A	PANEL BOARD, COMPLETE (EX9:E2)	
53	4-225-252-01	CUSHION (FOOT)		64	A-1748-812-A	PANEL BOARD, COMPLETE (EX9:E51,AR,MX)	
54	A-1750-830-A	PANEL ASSY, FRONT (EX8/EX8T/EX9/EX9T)		64	A-1748-813-A	PANEL BOARD, COMPLETE (EX8:E2)	
54	A-1779-409-A	PANEL ASSY, FRONT (EX6/EX6T)		64	A-1748-814-A	PANEL BOARD, COMPLETE (EX8:E51,AR,MX)	
55	4-162-315-01	ORNAMENTAL PLATE, LO (EX8/EX8T/EX9/EX9T)		64	A-1748-815-A	PANEL BOARD, COMPLETE (EX6:E2)	
55	4-162-315-11	ORNAMENTAL PLATE, LO (EX6/EX6T)		64	A-1748-816-A	PANEL BOARD, COMPLETE (EX6:E51,AR)	
56	4-162-314-01	ORNAMENTAL PLATE, UP		64	A-1748-817-A	PANEL BOARD, COMPLETE (EX9T)	
57	4-162-311-01	REFLECTOR		64	A-1748-818-A	PANEL BOARD, COMPLETE (EX8T)	
58	4-162-310-01	RING, VOL		64	A-1748-819-A	PANEL BOARD, COMPLETE (EX6T)	
59	4-162-309-01	RING, ORNAMENTAL		65	1-832-634-21	CABLE, FLEXIBLE FLAT (25 CORE)	
60	4-162-308-01	KNOB, VOL (EX8/EX8T/EX9/EX9T)		66	1-838-042-21	CABLE, FLEXIBLE FLAT (19 CORE)	
60	4-162-308-11	KNOB, VOL (EX6/EX6T)				(EX6/EX8/EX9)	
61	4-162-300-01	WINDOW (EX9)		66	1-838-070-21	CABLE, FLEXIBLE FLAT (21 CORE)	
61	4-162-300-11	WINDOW (EX9T)				(EX6T/EX8T/EX9T)	
61	4-162-300-21	WINDOW (EX8)		67	1-831-928-21	CABLE, FLEXIBLE FLAT (11 CORE)	
61	4-162-300-31	WINDOW (EX8T)		D306	6-503-056-01	LED 1L0341Y23E0CA602-II (LCD BACK LIGHT)	
61	4-162-300-41	WINDOW (EX6)		LCD301	1-811-042-11	DISPLAY PANEL, LIQUID CRYSTAL	
61	4-162-300-51	WINDOW (EX6T)		#1	7-685-647-79	SCREW +BVTP 3X10 TYPE2 IT-3	
62	2-665-175-01	SHEET (REFLECTOR)					

HCD-EX6/EX6T/EX8/EX8T/EX9/EX9T

7-3. TOP PANEL SECTION (HCD-EX6T/EX8T/EX9T)

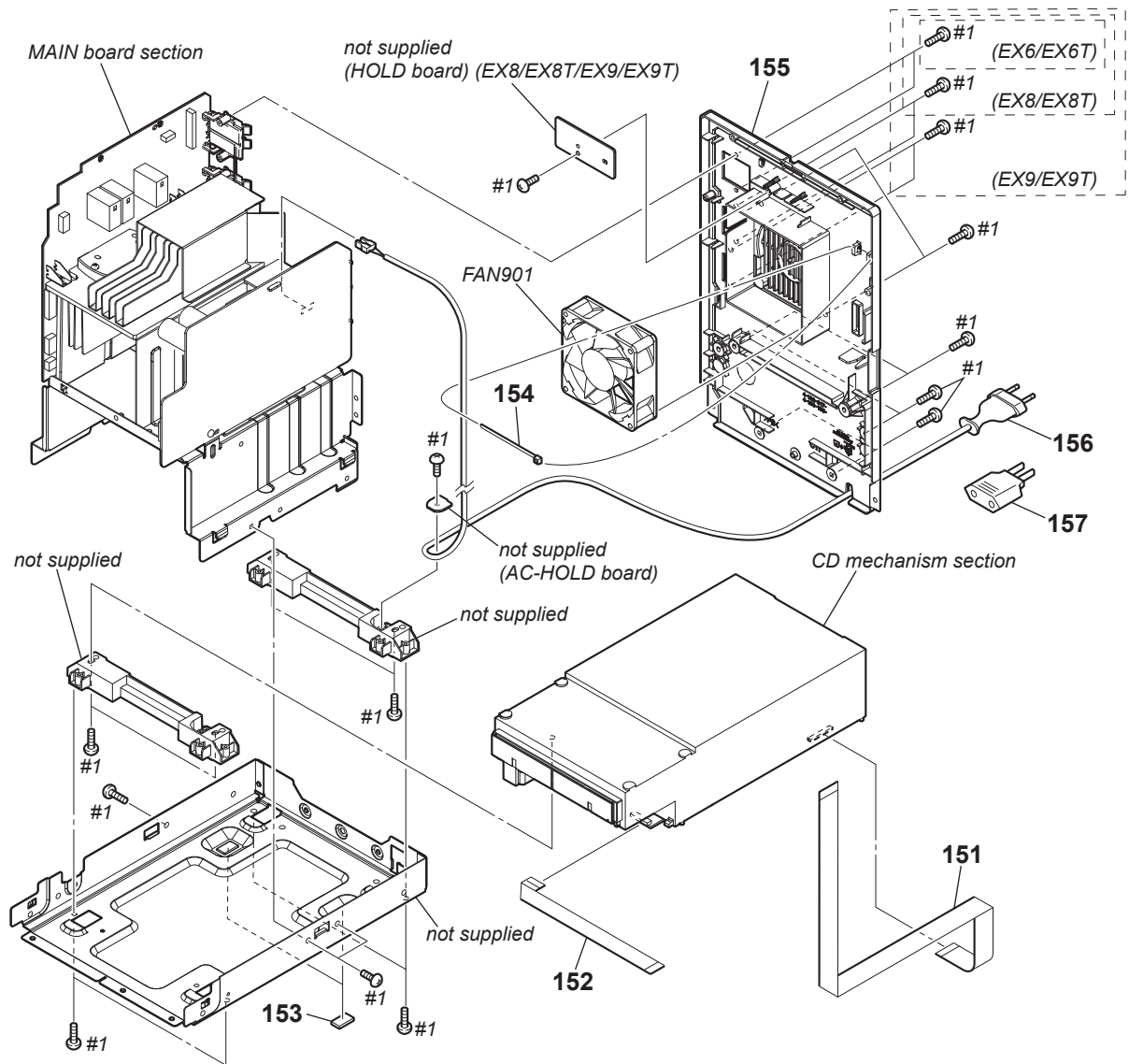


Note: When you exchange Ref. No. 101, 103 or 104, Please refer to "HOW TO DISTINGUISH TAPE MECHANISM DECK" of the service note (page 5).

Note: If the wire (flat type) was replaced, fold it some as the wire (flat type) before replacement.

Ref. No.	Part No.	Description	Remark	Ref. No.	Part No.	Description	Remark
101	1-797-575-11	DECK, MECHANICAL (CS-21SC-901TP)		108	3-252-827-01	SCREW (B2.6), (+) BV TAPPING	
101	A-1527-851-A	TCM-J1 (tape mechanism deck)		109	2-649-132-21	BUTTON (CASS)	
102	4-951-620-01	SCREW (2.6X8), +BVTP		110	2-649-131-21	BOX, CASSETTE	
103	2-688-621-01	BELT (R/F) (for CS-21SC-901TP)		111	2-649-152-02	SPRING (CASS)	
103	3-214-817-01	BELT (FR) (for TCM-J1)		112	3-917-753-41	CUSHION (SP)	
104	2-670-389-01	BELT (1) (for TCM-J1)		113	2-649-128-71	PANEL, TOP	
104	2-688-622-01	BELT (MAIN) (for CS-21SC-901TP)		114	3-047-468-01	DAMPER	
105	1-832-814-21	CABLE, FLEXIBLE FLAT (9 CORE)		115	3-921-725-01	SCREW (2.6X10), +PWH	
106	A-1748-774-A	DECK BOARD, COMPLETE		#4	7-685-850-04	SCREW +BVTT 2X3 (S)	
107	3-701-748-00	CLAMP		#5	7-685-645-79	SCREW +BVTP 3X6 TYPE2 IT-3	

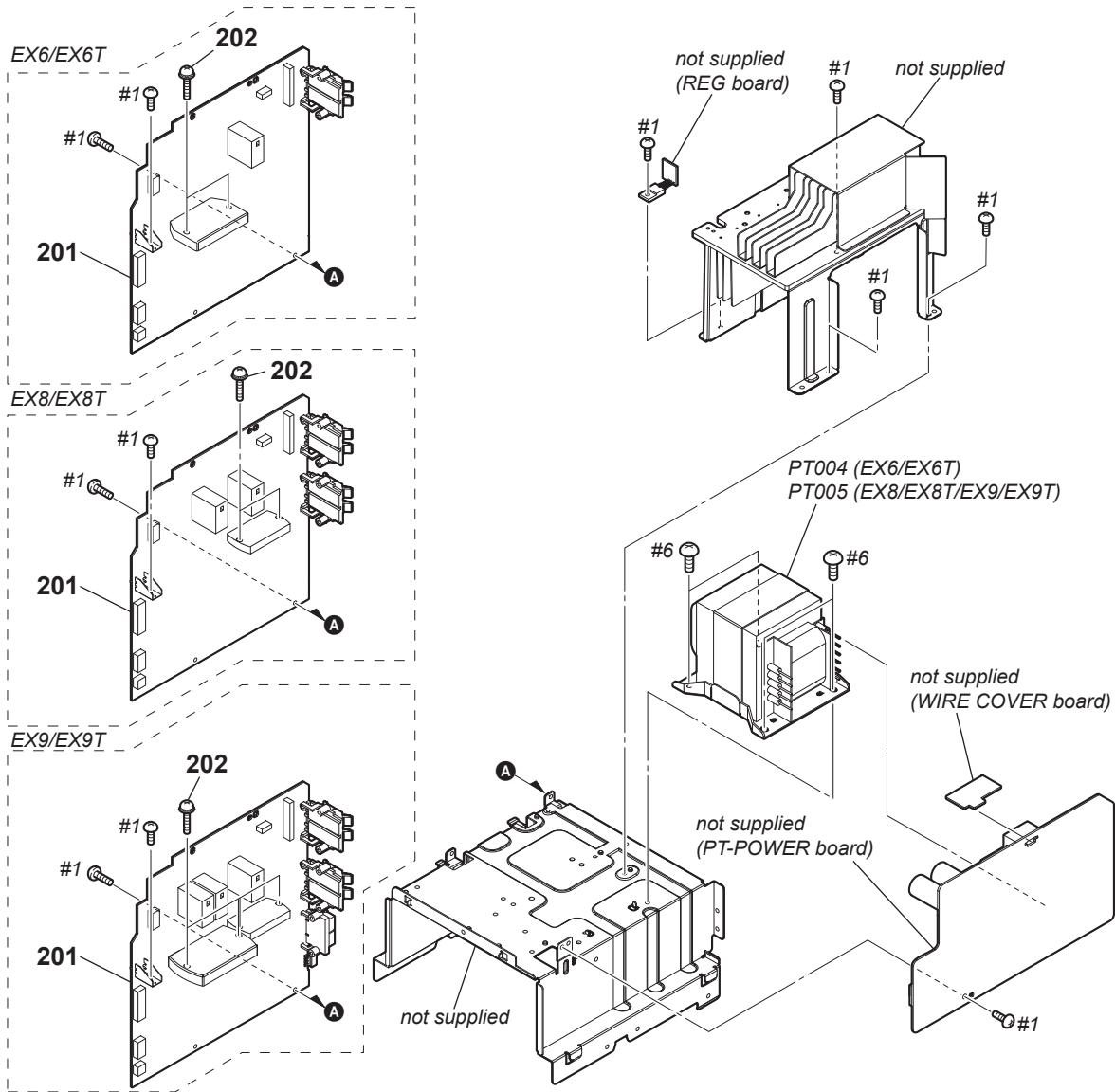
7-4. CHASSIS SECTION



Note: If the wire (flat type) was replaced, fold it some as the wire (flat type) before replacement.

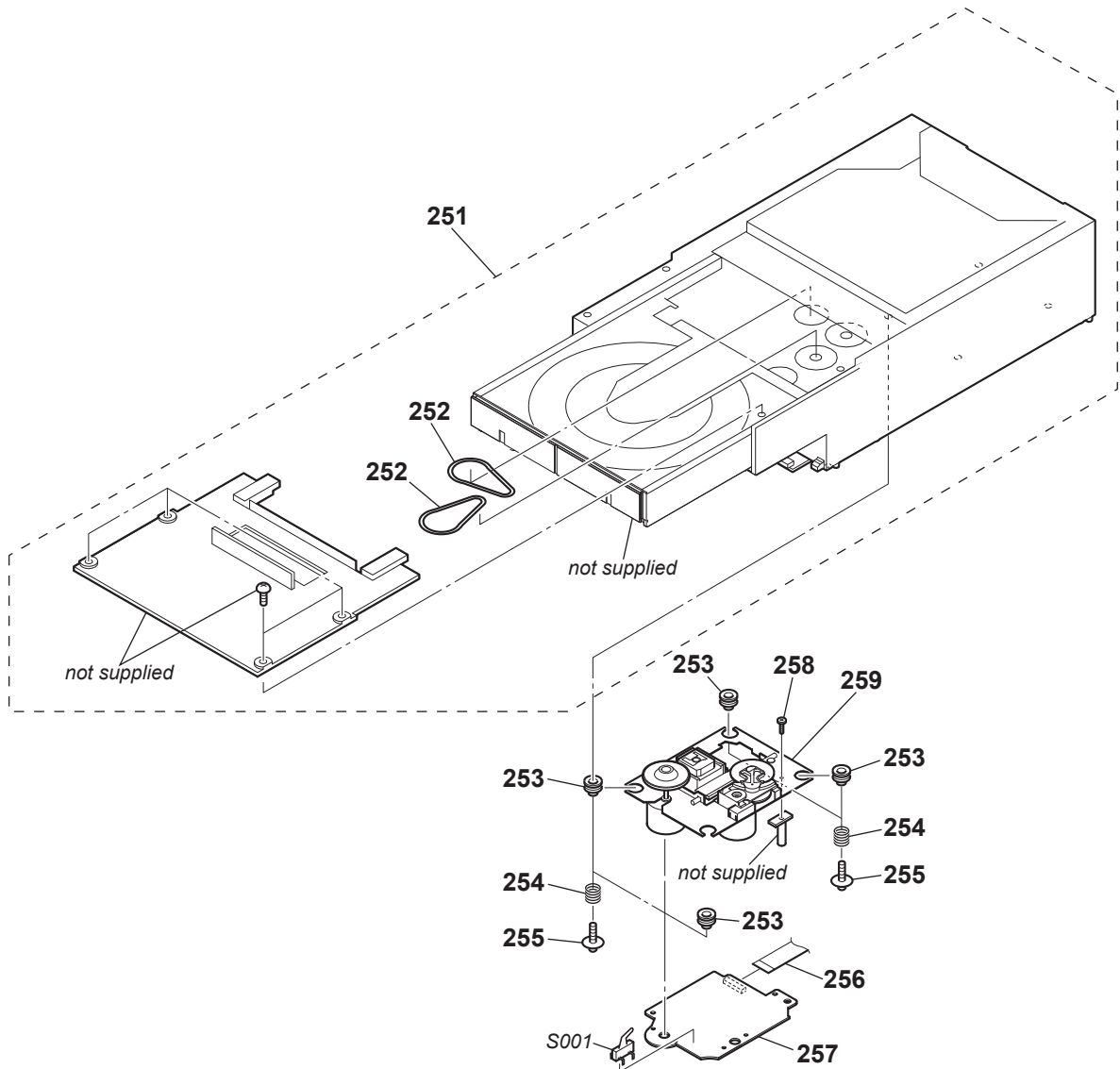
Ref. No.	Part No.	Description	Remark	Ref. No.	Part No.	Description	Remark
151	1-838-040-21	CABLE, FLEXIBLE FLAT (25 CORE)		155	4-162-317-61	PANEL, BACK (EX9:E2,E51)	
152	1-832-837-21	CABLE, FLEXIBLE FLAT (13 CORE)		155	4-162-317-71	PANEL, BACK (EX8:E2,E51)	
153	4-225-252-01	CUSHION (FOOT)		155	4-162-317-81	PANEL, BACK (EX6:E2,E51)	
154	4-147-421-01	HOLDER, WIRE		△ 156	1-834-966-41	CORD, POWER-SUPPLY (E2,E4,E51)	
155	4-162-317-01	PANEL, BACK (EX9T)		△ 156	1-837-312-11	CORD, POWER-SUPPLY (AR)	
155	4-162-317-11	PANEL, BACK (EX8T)		△ 156	1-837-344-11	CORD, POWER-SUPPLY (MX)	
155	4-162-317-21	PANEL, BACK (EX6T)		△ 157	1-569-008-33	ADAPTOR, CONVERSION (E2,E4,E51)	
155	4-162-317-31	PANEL, BACK (EX9:AR,MX)		FAN901	1-787-344-11	FAN, DC	
155	4-162-317-41	PANEL, BACK (EX8:AR,MX)		#1	7-685-647-79	SCREW +BVTP 3X10 TYPE2 IT-3	
155	4-162-317-51	PANEL, BACK (EX6:AR)					

7-5. MAIN BOARD SECTION



Ref. No.	Part No.	Description	Remark	Ref. No.	Part No.	Description	Remark
201	A-1748-728-A	MAIN-AMP BOARD, COMPLETE (EX9:E2,E51,AR)		△ PT004	1-445-346-11	TRANSFORMER, POWER (MAIN) (EX6/EX6T)	
201	A-1748-729-A	MAIN-AMP BOARD, COMPLETE (EX8:E2,E51,AR)		△ PT005	1-445-568-11	TRANSFORMER, POWER (MAIN)	
201	A-1748-730-A	MAIN-AMP BOARD, COMPLETE (EX6)				(EX8:E2,E51,AR/EX8T)	
201	A-1748-731-A	MAIN-AMP BOARD, COMPLETE (EX9T)		△ PT005	1-445-571-11	TRANSFORMER, POWER (MAIN) (EX8:MX)	
201	A-1748-732-A	MAIN-AMP BOARD, COMPLETE (EX8T)		△ PT005	1-445-941-11	TRANSFORMER, POWER (MAIN) (EX9:MX)	
				△ PT005	1-445-942-11	TRANSFORMER, POWER (MAIN)	
						(EX9:E2,E51,AR/EX9T)	
201	A-1748-733-A	MAIN-AMP BOARD, COMPLETE (EX6T)		#1	7-685-647-79	SCREW +BVTP 3X10 TYPE2 IT-3	
201	A-1771-591-A	MAIN-AMP BOARD, COMPLETE (EX9:MX)		#6	7-685-880-09	SCREW +BVTT 4X6 (S)	
201	A-1771-592-A	MAIN-AMP BOARD, COMPLETE (EX8:MX)					
202	3-905-609-31	SCREW (TRANSISTOR)					

7-6. CD MECHANISM SECTION (CDM88CL-D1BD74UR)



Note: If the wire (flat type) was replaced, fold it some as the wire (flat type) before replacement.

Ref. No.	Part No.	Description	Remark	Ref. No.	Part No.	Description	Remark
251	1-840-387-11	MECHANICAL, CD		256	1-834-268-21	WIRE (FLAT TYPE) (16 CORE)	
252	2-632-062-11	BELT (DLM3A)		257	A-1748-699-A	BD74 BOARD, COMPLETE	
253	4-227-549-31	INSULATOR		258	3-080-204-31	SCREW, TAPPING, P2	
254	4-227-045-31	SPRING (INSULATOR), COIL		△ 259	A-1780-028-A	OPTICAL PICK-UP (DA11MMVGP)	
255	4-985-672-01	SCREW (+PTPWHM2.6), FLOATING		S001	1-771-853-11	SWITCH, DETECTION (LIMIT)	

**SECTION 8
ELECTRICAL PARTS LIST**

BD74

Note:

- Due to standardization, replacements in the parts list may be different from the parts specified in the diagrams or the components used on the set.
- -XX and -X mean standardized parts, so they may have some difference from the original one.
- Items marked "*" are not stocked since they are seldom required for routine service. Some delay should be anticipated when ordering these items.
- CAPACITORS
uF: μF
- COILS
uH: μH

- RESISTORS
All resistors are in ohms.
METAL: Metal-film resistor.
METAL OXIDE: Metal oxide-film resistor.
F: nonflammable
- SEMICONDUCTORS
In each case, u: μ, for example:
uA. . . : μA. . . , uPA. . . , μPA. . . ,
uPB. . . : μPB. . . , uPC. . . , μPC. . . ,
uPD. . . : μPD. . .

- Abbreviation
AR : Argentina model
E2 : 120V AC area in E model
E4 : 220 – 240V AC area in E model
E51 : Chilean and Peruvian models
MX : Mexican model

The components identified by mark \triangle or dotted line with mark \triangle are critical for safety.
Replace only with part number specified.

When indicating parts by reference number, please include the board name.

Ref. No.	Part No.	Description	Remark	Ref. No.	Part No.	Description	Remark
	A-1748-699-A	BD74 BOARD, COMPLETE *****		C401	1-128-995-21	ELECT CHIP 100uF 20%	10V
		< CAPACITOR >		C402	1-128-995-21	ELECT CHIP 100uF 20%	10V
C101	1-162-968-11	CERAMIC CHIP 0.0047uF 10%	50V	C403	1-164-156-11	CERAMIC CHIP 0.1uF	25V
C102	1-162-970-11	CERAMIC CHIP 0.01uF 10%	25V	C404	1-164-156-11	CERAMIC CHIP 0.1uF	25V
C103	1-107-826-11	CERAMIC CHIP 0.1uF 10%	16V	C406	1-162-927-11	CERAMIC CHIP 100PF 5%	50V
C104	1-107-826-11	CERAMIC CHIP 0.1uF 10%	16V	C407	1-162-927-11	CERAMIC CHIP 100PF 5%	50V
C105	1-162-970-11	CERAMIC CHIP 0.01uF 10%	25V	C413	1-162-966-11	CERAMIC CHIP 0.0022uF 10%	50V
C106	1-162-967-11	CERAMIC CHIP 0.0033uF 10%	50V	C414	1-162-966-11	CERAMIC CHIP 0.0022uF 10%	50V
C107	1-107-826-11	CERAMIC CHIP 0.1uF 10%	16V	C418	1-162-927-11	CERAMIC CHIP 100PF 5%	50V
C108	1-162-970-11	CERAMIC CHIP 0.01uF 10%	25V			< CONNECTOR >	
C110	1-127-715-11	CERAMIC CHIP 0.22uF 10%	16V	CN201	1-770-425-51	CONNECTOR, FFC/FPC 16P	
C111	1-164-227-11	CERAMIC CHIP 0.022uF 10%	25V	CN403	1-784-875-51	CONNECTOR, FFC (LIF (NON-ZIF)) 25P	
C112	1-107-826-11	CERAMIC CHIP 0.1uF 10%	16V			< IC >	
C113	1-107-826-11	CERAMIC CHIP 0.1uF 10%	16V	IC101	6-713-623-01	IC LC786950T-US-H	
C116	1-128-995-21	ELECT CHIP 100uF 20%	10V	IC301	6-710-637-01	IC BA5826HFP-E2	
C117	1-100-756-91	CERAMIC CHIP 0.047uF 10%	50V			< TRANSISTOR >	
C118	1-164-156-11	CERAMIC CHIP 0.1uF	25V	Q201	6-551-120-01	TRANSISTOR 2SA2119K	
C119	1-128-995-21	ELECT CHIP 100uF 20%	10V			< RESISTOR >	
C120	1-164-156-11	CERAMIC CHIP 0.1uF	25V	R101	1-216-815-11	METAL CHIP 330 5%	1/10W
C121	1-164-156-11	CERAMIC CHIP 0.1uF	25V	R102	1-216-833-11	METAL CHIP 10K 5%	1/10W
C122	1-164-156-11	CERAMIC CHIP 0.1uF	25V	R103	1-216-864-11	SHORT CHIP 0	
C123	1-164-156-11	CERAMIC CHIP 0.1uF	25V	R104	1-216-864-11	SHORT CHIP 0	
C124	1-128-995-21	ELECT CHIP 100uF 20%	10V	R105	1-216-864-11	SHORT CHIP 0	
C125	1-164-156-11	CERAMIC CHIP 0.1uF	25V	R106	1-216-864-11	SHORT CHIP 0	
C126	1-164-156-11	CERAMIC CHIP 0.1uF	25V	R107	1-216-843-11	METAL CHIP 68K 5%	1/10W
C127	1-164-156-11	CERAMIC CHIP 0.1uF	25V	R108	1-216-821-11	METAL CHIP 1K 5%	1/10W
C128	1-164-156-11	CERAMIC CHIP 0.1uF	25V	R109	1-216-821-11	METAL CHIP 1K 5%	1/10W
C129	1-128-995-21	ELECT CHIP 100uF 20%	10V	R111	1-216-837-11	METAL CHIP 22K 5%	1/10W
C130	1-164-156-11	CERAMIC CHIP 0.1uF	25V	R112	1-216-864-11	SHORT CHIP 0	
C131	1-164-156-11	CERAMIC CHIP 0.1uF	25V	R113	1-216-819-11	METAL CHIP 680 5%	1/10W
C132	1-164-156-11	CERAMIC CHIP 0.1uF	25V	R114	1-216-819-11	METAL CHIP 680 5%	1/10W
C133	1-107-826-11	CERAMIC CHIP 0.1uF 10%	16V	R116	1-216-843-11	METAL CHIP 68K 5%	1/10W
C201	1-164-156-11	CERAMIC CHIP 0.1uF	25V	R117	1-216-833-11	METAL CHIP 10K 5%	1/10W
C203	1-137-710-91	CERAMIC CHIP 10uF 20%	6.3V	R118	1-216-809-11	METAL CHIP 100 5%	1/10W
C205	1-137-710-91	CERAMIC CHIP 10uF 20%	6.3V	R120	1-216-833-11	METAL CHIP 10K 5%	1/10W
C206	1-165-908-11	CERAMIC CHIP 1uF 10%	10V	R121	1-216-833-11	METAL CHIP 10K 5%	1/10W
C207	1-128-995-21	ELECT CHIP 100uF 20%	10V	R122	1-216-833-11	METAL CHIP 10K 5%	1/10W
C208	1-162-964-11	CERAMIC CHIP 0.001uF 10%	50V	R123	1-216-833-11	METAL CHIP 10K 5%	1/10W
C209	1-164-156-11	CERAMIC CHIP 0.1uF	25V	R124	1-216-833-11	METAL CHIP 10K 5%	1/10W
C301	1-128-394-11	ELECT CHIP 220uF 20%	10V	R126	1-216-864-11	SHORT CHIP 0	
C302	1-164-156-11	CERAMIC CHIP 0.1uF	25V	R129	1-216-809-11	METAL CHIP 100 5%	1/10W
C303	1-164-156-11	CERAMIC CHIP 0.1uF	25V				
C304	1-164-156-11	CERAMIC CHIP 0.1uF	25V				

Ref. No.	Part No.	Description	Remark			Ref. No.	Part No.	Description	Remark		
R131	1-216-295-91	SHORT CHIP	0			C531	1-162-970-11	CERAMIC CHIP	0.01uF	10%	25V
R201	1-218-446-11	METAL CHIP	1	5%	1/10W	C532	1-162-970-11	CERAMIC CHIP	0.01uF	10%	25V
R202	1-216-789-11	METAL CHIP	2.2	5%	1/10W	C533	1-162-966-11	CERAMIC CHIP	0.0022uF	10%	50V
R203	1-216-864-11	SHORT CHIP	0			C534	1-162-966-11	CERAMIC CHIP	0.0022uF	10%	50V
R301	1-216-830-11	METAL CHIP	5.6K	5%	1/10W	C535	1-162-966-11	CERAMIC CHIP	0.0022uF	10%	50V
R302	1-216-839-11	METAL CHIP	33K	5%	1/10W	C536	1-162-966-11	CERAMIC CHIP	0.0022uF	10%	50V
R303	1-216-834-11	METAL CHIP	12K	5%	1/10W	C537	1-162-966-11	CERAMIC CHIP	0.0022uF	10%	50V
R304	1-216-833-11	METAL CHIP	10K	5%	1/10W	C538	1-162-970-11	CERAMIC CHIP	0.01uF	10%	25V
R305	1-216-832-11	METAL CHIP	8.2K	5%	1/10W	C539	1-115-156-11	CERAMIC CHIP	1uF		10V
R401	1-216-295-91	SHORT CHIP	0			C540	1-130-479-91	MYLAR	0.0047uF	5%	50V
R402	1-216-295-91	SHORT CHIP	0			C542	1-104-662-91	ELECT	22uF	20%	25V
R403	1-216-809-11	METAL CHIP	100	5%	1/10W	C543	1-162-964-11	CERAMIC CHIP	0.001uF	10%	50V
R404	1-216-809-11	METAL CHIP	100	5%	1/10W	C545	1-107-826-11	CERAMIC CHIP	0.1uF	10%	16V
R405	1-216-809-11	METAL CHIP	100	5%	1/10W	C546	1-107-826-11	CERAMIC CHIP	0.1uF	10%	16V
R406	1-216-809-11	METAL CHIP	100	5%	1/10W	C547	1-162-964-11	CERAMIC CHIP	0.001uF	10%	50V
R407	1-216-809-11	METAL CHIP	100	5%	1/10W	C548	1-162-964-11	CERAMIC CHIP	0.001uF	10%	50V
R408	1-216-809-11	METAL CHIP	100	5%	1/10W	C549	1-162-964-11	CERAMIC CHIP	0.001uF	10%	50V
R409	1-216-809-11	METAL CHIP	100	5%	1/10W			< CONNECTOR >			
R411	1-216-809-11	METAL CHIP	100	5%	1/10W	CN501	1-815-449-11	PIN, CONNECTOR (PWB) 8P			
R412	1-216-809-11	METAL CHIP	100	5%	1/10W	CN502	1-784-770-11	CONNECTOR, FFC 9P			
R413	1-216-809-11	METAL CHIP	100	5%	1/10W			< IC >			
R414	1-216-809-11	METAL CHIP	100	5%	1/10W	IC501	8-759-278-58	IC NJM4558V-TE2			
R415	1-216-809-11	METAL CHIP	100	5%	1/10W	IC502	8-759-278-58	IC NJM4558V-TE2			
R416	1-216-809-11	METAL CHIP	100	5%	1/10W			< JUMPER RESISTOR >			
R417	1-216-295-91	SHORT CHIP	0			JR501	1-216-864-11	SHORT CHIP	0		
		< VIBRATOR >				JR502	1-216-864-11	SHORT CHIP	0		
X101	1-795-101-21	VIBRATOR, CERAMIC (16.934MHz)				JR503	1-216-864-11	SHORT CHIP	0		

	A-1748-774-A	DECK BOARD, COMPLETE (EX6T/EX8T/EX9T)						< TRANSFORMER >			
		*****				L501	1-456-094-11	TRANSFORMER, BIAS OSCILLATION			
		< CAPACITOR >						< TRANSISTOR >			
C501	1-126-933-11	ELECT	100uF	20%	16V	Q501	8-729-119-78	TRANSISTOR	2SC2785-HFE		
C502	1-126-933-11	ELECT	100uF	20%	16V	Q502	8-729-119-78	TRANSISTOR	2SC2785-HFE		
C503	1-162-966-11	CERAMIC CHIP	0.0022uF	10%	50V			< RESISTOR >			
C504	1-162-966-11	CERAMIC CHIP	0.0022uF	10%	50V	R501	1-216-825-11	METAL CHIP	2.2K	5%	1/10W
C505	1-162-970-11	CERAMIC CHIP	0.01uF	10%	25V	R502	1-216-825-11	METAL CHIP	2.2K	5%	1/10W
C506	1-162-970-11	CERAMIC CHIP	0.01uF	10%	25V	R503	1-216-825-11	METAL CHIP	2.2K	5%	1/10W
C509	1-162-927-11	CERAMIC CHIP	100PF	5%	50V	R504	1-216-825-11	METAL CHIP	2.2K	5%	1/10W
C510	1-162-927-11	CERAMIC CHIP	100PF	5%	50V	R505	1-216-835-11	METAL CHIP	15K	5%	1/10W
C511	1-162-960-11	CERAMIC CHIP	220PF	10%	50V	R506	1-216-835-11	METAL CHIP	15K	5%	1/10W
C512	1-162-960-11	CERAMIC CHIP	220PF	10%	50V	R507	1-216-851-11	METAL CHIP	330K	5%	1/10W
C513	1-126-960-11	ELECT	1uF	20%	50V	R508	1-216-851-11	METAL CHIP	330K	5%	1/10W
C514	1-126-960-11	ELECT	1uF	20%	50V	R509	1-216-811-11	METAL CHIP	150	5%	1/10W
C515	1-126-947-11	ELECT	47uF	20%	35V	R510	1-216-811-11	METAL CHIP	150	5%	1/10W
C516	1-126-947-11	ELECT	47uF	20%	35V	R511	1-216-845-11	METAL CHIP	100K	5%	1/10W
C517	1-162-964-11	CERAMIC CHIP	0.001uF	10%	50V	R512	1-216-845-11	METAL CHIP	100K	5%	1/10W
C519	1-162-962-11	CERAMIC CHIP	470PF	10%	50V	R513	1-216-845-11	METAL CHIP	100K	5%	1/10W
C520	1-162-962-11	CERAMIC CHIP	470PF	10%	50V	R514	1-216-845-11	METAL CHIP	100K	5%	1/10W
C521	1-125-837-91	CERAMIC CHIP	1uF	10%	6.3V	R515	1-216-864-11	SHORT CHIP	0		
C522	1-125-837-91	CERAMIC CHIP	1uF	10%	6.3V	R516	1-216-864-11	SHORT CHIP	0		
C523	1-107-826-11	CERAMIC CHIP	0.1uF	10%	16V	R517	1-216-821-11	METAL CHIP	1K	5%	1/10W
C524	1-107-826-11	CERAMIC CHIP	0.1uF	10%	16V	R518	1-216-821-11	METAL CHIP	1K	5%	1/10W
C525	1-162-923-11	CERAMIC CHIP	47PF	5%	50V	R519	1-216-841-11	METAL CHIP	47K	5%	1/10W
C526	1-162-923-11	CERAMIC CHIP	47PF	5%	50V	R520	1-216-841-11	METAL CHIP	47K	5%	1/10W
C527	1-162-962-11	CERAMIC CHIP	470PF	10%	50V						
C528	1-162-962-11	CERAMIC CHIP	470PF	10%	50V						
C529	1-162-961-11	CERAMIC CHIP	330PF	10%	50V						
C530	1-162-961-11	CERAMIC CHIP	330PF	10%	50V						

HCD-EX6/EX6T/EX8/EX8T/EX9/EX9T

DECK MAIN-AMP

Ref. No.	Part No.	Description	Remark
R521	1-216-841-11	METAL CHIP 47K 5%	1/10W
R522	1-216-841-11	METAL CHIP 47K 5%	1/10W
R523	1-216-827-11	METAL CHIP 3.3K 5%	1/10W
R524	1-216-827-11	METAL CHIP 3.3K 5%	1/10W
R525	1-216-851-11	METAL CHIP 330K 5%	1/10W
R526	1-216-851-11	METAL CHIP 330K 5%	1/10W
R527	1-216-851-11	METAL CHIP 330K 5%	1/10W
R528	1-216-851-11	METAL CHIP 330K 5%	1/10W
R529	1-216-825-11	METAL CHIP 2.2K 5%	1/10W
R530	1-216-825-11	METAL CHIP 2.2K 5%	1/10W
R531	1-216-832-11	METAL CHIP 8.2K 5%	1/10W
R532	1-216-832-11	METAL CHIP 8.2K 5%	1/10W
R533	1-216-837-11	METAL CHIP 22K 5%	1/10W
R534	1-216-835-11	METAL CHIP 15K 5%	1/10W
R535	1-216-829-11	METAL CHIP 4.7K 5%	1/10W
R536	1-216-829-11	METAL CHIP 4.7K 5%	1/10W
R537	1-216-833-11	METAL CHIP 10K 5%	1/10W
R538	1-216-833-11	METAL CHIP 10K 5%	1/10W
R539	1-216-793-11	METAL CHIP 4.7 5%	1/10W
R540	1-216-805-11	METAL CHIP 47 5%	1/10W
R541	1-216-805-11	METAL CHIP 47 5%	1/10W
R543	1-216-809-11	METAL CHIP 100 5%	1/10W
R544	1-216-809-11	METAL CHIP 100 5%	1/10W
R545	1-216-817-11	METAL CHIP 470 5%	1/10W
R546	1-216-817-11	METAL CHIP 470 5%	1/10W
< SWITCH >			
S501	1-762-369-11	SWITCH, SLIDE (REC/PB)	

A-1748-728-A	MAIN-AMP BOARD, COMPLETE (EX9:E2,E51,AR)		
A-1748-729-A	MAIN-AMP BOARD, COMPLETE (EX8:E2,E51,AR)		
A-1748-730-A	MAIN-AMP BOARD, COMPLETE (EX6)		
A-1748-731-A	MAIN-AMP BOARD, COMPLETE (EX9T)		
A-1748-732-A	MAIN-AMP BOARD, COMPLETE (EX8T)		
A-1748-733-A	MAIN-AMP BOARD, COMPLETE (EX6T)		
A-1771-591-A	MAIN-AMP BOARD, COMPLETE (EX9:MX)		
A-1771-592-A	MAIN-AMP BOARD, COMPLETE (EX8:MX)		

< CAPACITOR >			
C101	1-126-960-11	ELECT 1uF 20%	50V (EX8/EX8T/EX9/EX9T)
C102	1-126-960-11	ELECT 1uF 20%	50V (EX8/EX8T/EX9/EX9T)
C103	1-164-315-11	CERAMIC CHIP 470PF 5%	50V (EX8/EX8T/EX9/EX9T)
C104	1-164-315-11	CERAMIC CHIP 470PF 5%	50V (EX8/EX8T/EX9/EX9T)
C105	1-162-927-11	CERAMIC CHIP 100PF 5%	50V (EX8/EX8T/EX9/EX9T)
C106	1-162-927-11	CERAMIC CHIP 100PF 5%	50V (EX8/EX8T/EX9/EX9T)
C111	1-162-908-11	CERAMIC CHIP 3PF 0.25PF	50V (EX8/EX8T/EX9/EX9T)
C112	1-162-908-11	CERAMIC CHIP 3PF 0.25PF	50V (EX8/EX8T/EX9/EX9T)
C113	1-126-947-11	ELECT 47uF 20%	35V (EX8/EX8T/EX9/EX9T)
C114	1-126-947-11	ELECT 47uF 20%	35V (EX8/EX8T/EX9/EX9T)
C121	1-126-960-11	ELECT 1uF 20%	50V (EX8/EX8T)

Ref. No.	Part No.	Description	Remark
C122	1-126-960-11	ELECT 1uF 20%	50V (EX8/EX8T)
C123	1-164-245-11	CERAMIC CHIP 0.015uF 10%	25V (EX8/EX8T)
C124	1-164-245-11	CERAMIC CHIP 0.015uF 10%	25V (EX8/EX8T)
C125	1-162-927-11	CERAMIC CHIP 100PF 5%	50V (EX8/EX8T)
C126	1-162-927-11	CERAMIC CHIP 100PF 5%	50V (EX8/EX8T)
C131	1-162-908-11	CERAMIC CHIP 3PF 0.25PF	50V (EX8/EX8T)
C132	1-162-908-11	CERAMIC CHIP 3PF 0.25PF	50V (EX8/EX8T)
C133	1-126-947-11	ELECT 47uF 20%	35V (EX8/EX8T)
C134	1-126-947-11	ELECT 47uF 20%	35V (EX8/EX8T)
C141	1-100-597-91	CERAMIC CHIP 0.1uF 10%	25V (EX8/EX8T/EX9/EX9T)
C142	1-100-597-91	CERAMIC CHIP 0.1uF 10%	25V (EX8/EX8T/EX9/EX9T)
C151	1-100-597-91	CERAMIC CHIP 0.1uF 10%	25V (EX8/EX8T)
C152	1-100-597-91	CERAMIC CHIP 0.1uF 10%	25V (EX8/EX8T)
C161	1-165-621-91	CERAMIC CHIP 0.1uF 10%	50V (EX8/EX8T/EX9/EX9T)
C162	1-165-621-91	CERAMIC CHIP 0.1uF 10%	50V (EX8/EX8T/EX9/EX9T)
C163	1-165-621-91	CERAMIC CHIP 0.1uF 10%	50V (EX8/EX8T/EX9/EX9T)
C164	1-165-621-91	CERAMIC CHIP 0.1uF 10%	50V (EX8/EX8T/EX9/EX9T)
C165	1-126-964-11	ELECT 10uF 20%	50V (EX8/EX8T)
C166	1-126-964-11	ELECT 10uF 20%	50V (EX8/EX8T)
C167	1-126-968-11	ELECT 100uF 20%	50V (EX9/EX9T)
C167	1-126-969-11	ELECT 220uF 20%	50V (EX8/EX8T)
C168	1-126-968-11	ELECT 100uF 20%	50V (EX9/EX9T)
C168	1-126-969-11	ELECT 220uF 20%	50V (EX8/EX8T)
C181	1-162-968-11	CERAMIC CHIP 0.0047uF 10%	50V
C182	1-162-970-11	CERAMIC CHIP 0.01uF 10%	25V
C190	1-107-826-11	CERAMIC CHIP 0.1uF 10%	16V (EX8/EX8T/EX9/EX9T)
C191	1-162-968-11	CERAMIC CHIP 0.0047uF 10%	50V (EX8/EX8T/EX9/EX9T)
C193	1-126-965-91	ELECT 22uF 20%	50V
C201	1-126-960-11	ELECT 1uF 20%	50V (EX6/EX6T/EX9/EX9T)
C202	1-126-960-11	ELECT 1uF 20%	50V (EX9/EX9T)
C203	1-107-726-91	CERAMIC CHIP 0.01uF 10%	16V (EX9/EX9T)
C203	1-164-315-11	CERAMIC CHIP 470PF 5%	50V (EX6/EX6T)
C204	1-107-726-91	CERAMIC CHIP 0.01uF 10%	16V (EX9/EX9T)
C205	1-162-927-11	CERAMIC CHIP 100PF 5%	50V (EX6/EX6T/EX9/EX9T)

Ref. No.	Part No.	Description	Remark	Ref. No.	Part No.	Description	Remark
C206	1-162-927-11	CERAMIC CHIP 100PF	5% 50V (EX9/EX9T)	C614	1-125-837-91	CERAMIC CHIP 1uF	10% 6.3V (EX6T/EX8T/EX9T)
C211	1-162-908-11	CERAMIC CHIP 3PF	0.25PF 50V (EX6/EX6T/EX9/EX9T)	C615	1-162-960-11	CERAMIC CHIP 220PF	10% 50V (EX6T/EX8T/EX9T)
C212	1-162-908-11	CERAMIC CHIP 3PF	0.25PF 50V (EX9/EX9T)	C616	1-162-960-11	CERAMIC CHIP 220PF	10% 50V (EX6T/EX8T/EX9T)
C213	1-126-947-11	ELECT 47uF	20% 35V (EX6/EX6T/EX9/EX9T)	C617	1-126-960-11	ELECT 1uF	20% 50V
C214	1-126-947-11	ELECT 47uF	20% 35V (EX9/EX9T)	C618	1-126-960-11	ELECT 1uF	20% 50V
C221	1-126-960-11	ELECT 1uF	20% 50V (EX6/EX6T/EX9/EX9T)	C619	1-125-837-91	CERAMIC CHIP 1uF	10% 6.3V (EX6T/EX8T/EX9T)
C223	1-164-315-11	CERAMIC CHIP 470PF	5% 50V (EX6/EX6T/EX9/EX9T)	C620	1-125-837-91	CERAMIC CHIP 1uF	10% 6.3V (EX6T/EX8T/EX9T)
C225	1-162-927-11	CERAMIC CHIP 100PF	5% 50V (EX6/EX6T/EX9/EX9T)	C621	1-162-965-11	CERAMIC CHIP 0.0015uF	10% 50V (EX6/EX6T)
C231	1-162-908-11	CERAMIC CHIP 3PF	0.25PF 50V (EX6/EX6T/EX9/EX9T)	C621	1-162-966-11	CERAMIC CHIP 0.0022uF	10% 50V (EX8/EX8T/EX9/EX9T)
C233	1-126-947-11	ELECT 47uF	20% 35V (EX6/EX6T/EX9/EX9T)	C622	1-162-965-11	CERAMIC CHIP 0.0015uF	10% 50V (EX6/EX6T)
C237	1-162-967-11	CERAMIC CHIP 0.0033uF	10% 50V (EX9/EX9T)	C622	1-162-966-11	CERAMIC CHIP 0.0022uF	10% 50V (EX8/EX8T/EX9/EX9T)
C238	1-162-967-11	CERAMIC CHIP 0.0033uF	10% 50V (EX9/EX9T)	C623	1-165-176-11	CERAMIC CHIP 0.047uF	10% 16V
C241	1-100-597-91	CERAMIC CHIP 0.1uF	10% 25V (EX6/EX6T/EX9/EX9T)	C624	1-165-176-11	CERAMIC CHIP 0.047uF	10% 16V
C242	1-100-597-91	CERAMIC CHIP 0.1uF	10% 25V (EX9/EX9T)	C625	1-165-176-11	CERAMIC CHIP 0.047uF	10% 16V
C251	1-100-597-91	CERAMIC CHIP 0.1uF	10% 25V (EX6/EX6T/EX9/EX9T)	C626	1-165-176-11	CERAMIC CHIP 0.047uF	10% 16V
C261	1-165-621-91	CERAMIC CHIP 0.1uF	50V (EX6/EX6T/EX9/EX9T)	C630	1-164-227-11	CERAMIC CHIP 0.022uF	10% 25V
C262	1-165-621-91	CERAMIC CHIP 0.1uF	50V (EX6/EX6T/EX9/EX9T)	C631	1-107-826-11	CERAMIC CHIP 0.1uF	10% 16V (EX8/EX8T/EX9/EX9T)
C263	1-165-621-91	CERAMIC CHIP 0.1uF	50V (EX6/EX6T/EX9/EX9T)	C631	1-110-563-11	CERAMIC CHIP 0.068uF	10% 16V (EX6/EX6T)
C264	1-165-621-91	CERAMIC CHIP 0.1uF	50V (EX6/EX6T/EX9/EX9T)	C632	1-107-826-11	CERAMIC CHIP 0.1uF	10% 16V (EX8/EX8T/EX9/EX9T)
C265	1-126-964-11	ELECT 10uF	20% 50V (EX9/EX9T)	C632	1-110-563-11	CERAMIC CHIP 0.068uF	10% 16V (EX6/EX6T)
C266	1-126-964-11	ELECT 10uF	20% 50V (EX9/EX9T)	C633	1-110-563-11	CERAMIC CHIP 0.068uF	10% 16V
C267	1-126-968-11	ELECT 100uF	20% 50V (EX6/EX6T/EX9/EX9T)	C634	1-110-563-11	CERAMIC CHIP 0.068uF	10% 16V
C268	1-126-968-11	ELECT 100uF	20% 50V (EX6/EX6T/EX9/EX9T)	C635	1-162-968-11	CERAMIC CHIP 0.0047uF	10% 50V (EX6/EX6T)
C290	1-107-826-11	CERAMIC CHIP 0.1uF	10% 16V (EX6/EX6T/EX9/EX9T)	C636	1-162-968-11	CERAMIC CHIP 0.0047uF	10% 50V (EX6/EX6T)
C291	1-162-968-11	CERAMIC CHIP 0.0047uF	10% 50V (EX6/EX6T/EX9/EX9T)	C637	1-126-960-11	ELECT 1uF	20% 50V
C600	1-126-933-11	ELECT 100uF	20% 16V	C638	1-126-960-11	ELECT 1uF	20% 50V
C601	1-125-837-91	CERAMIC CHIP 1uF	10% 6.3V	C641	1-162-962-11	CERAMIC CHIP 470PF	10% 50V
C602	1-125-837-91	CERAMIC CHIP 1uF	10% 6.3V	C642	1-126-933-11	ELECT 100uF	20% 16V (EX8/EX8T/EX9/EX9T)
C603	1-162-960-11	CERAMIC CHIP 220PF	10% 50V	C642	1-126-934-11	ELECT 220uF	20% 16V (EX6/EX6T)
C604	1-162-960-11	CERAMIC CHIP 220PF	10% 50V	C643	1-126-964-11	ELECT 10uF	20% 50V
C605	1-126-960-11	ELECT 1uF	20% 50V	C644	1-162-964-11	CERAMIC CHIP 0.001uF	10% 50V
C606	1-126-960-11	ELECT 1uF	20% 50V	C645	1-162-967-11	CERAMIC CHIP 0.0033uF	10% 50V
C607	1-162-964-11	CERAMIC CHIP 0.001uF	10% 50V	C650	1-126-933-11	ELECT 100uF	20% 16V (EX9/EX9T)
C608	1-162-964-11	CERAMIC CHIP 0.001uF	10% 50V	C651	1-126-964-11	ELECT 10uF	20% 50V (EX9/EX9T)
C609	1-125-837-91	CERAMIC CHIP 1uF	10% 6.3V	C652	1-107-726-91	CERAMIC CHIP 0.01uF	10% 16V (EX9/EX9T)
C610	1-125-837-91	CERAMIC CHIP 1uF	10% 6.3V	C653	1-137-190-91	FILM 0.22uF	5% 50V (EX9/EX9T)
C611	1-162-964-11	CERAMIC CHIP 0.001uF	10% 50V	C654	1-137-190-91	FILM 0.22uF	5% 50V (EX9/EX9T)
C612	1-162-964-11	CERAMIC CHIP 0.001uF	10% 50V	C655	1-137-190-91	FILM 0.22uF	5% 50V (EX9/EX9T)
C613	1-125-837-91	CERAMIC CHIP 1uF	10% 6.3V (EX6T/EX8T/EX9T)	C656	1-136-161-00	FILM 0.047uF	5% 50V (EX9/EX9T)
				C657	1-126-960-11	ELECT 1uF	20% 50V (EX9/EX9T)

HCD-EX6/EX6T/EX8/EX8T/EX9/EX9T

MAIN-AMP

Ref. No.	Part No.	Description	Remark	Ref. No.	Part No.	Description	Remark
C658	1-164-227-11	CERAMIC CHIP	0.022uF 10% 25V (EX9/EX9T)	D701	6-501-817-01	DIODE MA2J1110GLS0	
C671	1-165-908-11	CERAMIC CHIP	1uF 10% 10V	D711	6-501-817-01	DIODE MA2J1110GLS0 (EX8/EX8T/EX9/EX9T)	
C673	1-165-908-11	CERAMIC CHIP	1uF 10% 10V	D721	6-501-817-01	DIODE MA2J1110GLS0 (EX9/EX9T)	
C674	1-126-961-11	ELECT	2.2uF 20% 50V	D730	6-500-335-01	DIODE MC2838-T112-1	
C701	1-100-597-91	CERAMIC CHIP	0.1uF 10% 25V	D731	6-501-722-01	DIODE MAZ8043GMLSO	
C702	1-100-597-91	CERAMIC CHIP	0.1uF 10% 25V	D732	6-501-729-01	DIODE MAZ8051GLLS0	
C703	1-100-597-91	CERAMIC CHIP	0.1uF 10% 25V	D733	6-501-729-01	DIODE MAZ8051GLLS0	
C704	1-100-597-91	CERAMIC CHIP	0.1uF 10% 25V	D734	6-501-817-01	DIODE MA2J1110GLS0	
C705	1-162-968-11	CERAMIC CHIP	0.0047uF 10% 50V	D751	6-501-817-01	DIODE MA2J1110GLS0	
C706	1-162-968-11	CERAMIC CHIP	0.0047uF 10% 50V	D801	6-500-848-01	DIODE MC2840-T112-1	
C711	1-100-597-91	CERAMIC CHIP	0.1uF 10% 25V (EX8/EX8T/EX9/EX9T)	D802	6-500-848-01	DIODE MC2840-T112-1	
C712	1-100-597-91	CERAMIC CHIP	0.1uF 10% 25V (EX8/EX8T/EX9/EX9T)			< BPF >	
C713	1-100-597-91	CERAMIC CHIP	0.1uF 10% 25V (EX8/EX8T/EX9/EX9T)	FL801	1-236-711-21	FILTER, BAND PASS	
C714	1-100-597-91	CERAMIC CHIP	0.1uF 10% 25V (EX8/EX8T/EX9/EX9T)			< IC >	
C715	1-162-968-11	CERAMIC CHIP	0.0047uF 10% 50V (EX8/EX8T/EX9/EX9T)	IC101	6-714-864-01	IC STK433-070-S-E (EX9/EX9T)	
C716	1-162-968-11	CERAMIC CHIP	0.0047uF 10% 50V (EX8/EX8T/EX9/EX9T)	IC102	6-600-731-01	IC STK433-870-E (EX8/EX8T)	
C721	1-100-597-91	CERAMIC CHIP	0.1uF 10% 25V (EX9/EX9T)	IC201	6-712-281-01	IC STK433-320-E (EX9/EX9T)	
C723	1-100-597-91	CERAMIC CHIP	0.1uF 10% 25V (EX9/EX9T)	IC202	6-705-620-01	IC STK433-060 (EX6/EX6T)	
C731	1-126-963-11	ELECT	4.7uF 20% 50V	IC601	6-713-384-01	IC BD3491FS-SE2	
C732	1-126-964-11	ELECT	10uF 20% 50V	IC801	6-714-822-01	IC LV23401V-TLM-H	
C742	1-126-923-91	ELECT	220uF 20% 10V			< JUMPER RESISTOR >	
C771	1-126-960-11	ELECT	1uF 20% 50V	JR701	1-216-864-11	SHORT CHIP 0	
C773	1-126-933-11	ELECT	100uF 20% 16V			< COIL >	
C776	1-162-964-11	CERAMIC CHIP	0.001uF 10% 50V	L701	1-456-107-11	COIL, AIR-CORE	
C810	1-126-925-91	ELECT	470uF 20% 10V	L702	1-456-107-11	COIL, AIR-CORE	
C811	1-164-156-11	CERAMIC CHIP	0.1uF 25V	L801	1-481-550-21	INDUCTOR 39nH	
C812	1-165-176-11	CERAMIC CHIP	0.047uF 10% 16V	L802	1-481-550-21	INDUCTOR 39nH	
C813	1-126-963-11	ELECT	4.7uF 20% 50V	L803	1-457-757-11	COIL, AM ANTENNA	
C814	1-126-960-11	ELECT	1uF 20% 50V			< TRANSISTOR >	
C815	1-164-156-11	CERAMIC CHIP	0.1uF 25V	Q141	6-551-270-01	TRANSISTOR 2SA2026 (EX8/EX8T/EX9/EX9T)	
C816	1-107-826-11	CERAMIC CHIP	0.1uF 10% 16V	Q142	6-551-270-01	TRANSISTOR 2SA2026 (EX8/EX8T/EX9/EX9T)	
C820	1-126-965-91	ELECT	22uF 20% 50V	Q151	6-551-270-01	TRANSISTOR 2SA2026 (EX8/EX8T)	
C821	1-125-837-91	CERAMIC CHIP	1uF 10% 6.3V	Q152	6-551-270-01	TRANSISTOR 2SA2026 (EX8/EX8T)	
C822	1-125-837-91	CERAMIC CHIP	1uF 10% 6.3V	Q181	8-729-120-28	TRANSISTOR 2SC1623-L5L6	
		< CONNECTOR >		Q182	6-551-696-01	TRANSISTOR ISA1235AC1TP-1EF	
CN602	1-568-864-11	CONNECTOR, FFC 21P (EX6T/EX8T/EX9T)		Q190	8-729-120-28	TRANSISTOR 2SC1623-L5L6	
CN603	1-784-741-11	CONNECTOR, FFC 19P (EX6/EX8/EX9)		Q241	6-551-270-01	TRANSISTOR 2SA2026 (EX6/EX6T/EX9/EX9T)	
CN604	1-784-731-11	CONNECTOR, FFC 9P		Q242	6-551-270-01	TRANSISTOR 2SA2026 (EX9/EX9T)	
CN605	1-784-731-11	CONNECTOR, FFC 9P (EX6T/EX8T/EX9T)		Q251	6-551-270-01	TRANSISTOR 2SA2026 (EX6/EX6T/EX9/EX9T)	
CN609	1-815-551-11	PIN, CONNECTOR (PWB) 3P		Q601	8-729-120-28	TRANSISTOR 2SC1623-L5L6 (EX6T/EX8T/EX9T)	
CN701	1-819-131-11	PIN, CONNECTOR 3P		Q602	8-729-120-28	TRANSISTOR 2SC1623-L5L6 (EX6T/EX8T/EX9T)	
* CN801	1-506-680-11	PLUG, CONNECTOR (2.5mm) 3P (ANTENNA FM/AM)		Q607	8-729-037-03	TRANSISTOR KTA1266GR-AT (EX6T/EX8T/EX9T)	
		< DIODE >		Q609	8-729-120-28	TRANSISTOR 2SC1623-L5L6 (EX6T/EX8T/EX9T)	
D140	6-501-817-01	DIODE MA2J1110GLS0 (EX8/EX8T/EX9/EX9T)		Q651	8-729-120-28	TRANSISTOR 2SC1623-L5L6 (EX9/EX9T)	
D141	6-500-335-01	DIODE MC2838-T112-1 (EX8/EX8T/EX9/EX9T)		Q652	8-729-120-28	TRANSISTOR 2SC1623-L5L6 (EX9/EX9T)	
D152	6-500-335-01	DIODE MC2838-T112-1 (EX8/EX8T)		Q653	8-729-120-28	TRANSISTOR 2SC1623-L5L6 (EX9/EX9T)	
D190	6-501-817-01	DIODE MA2J1110GLS0		Q654	8-729-120-28	TRANSISTOR 2SC1623-L5L6 (EX9/EX9T)	
D240	6-501-817-01	DIODE MA2J1110GLS0 (EX6/EX6T/EX9/EX9T)		Q671	8-729-120-28	TRANSISTOR 2SC1623-L5L6	
D241	6-500-335-01	DIODE MC2838-T112-1 (EX6/EX6T/EX9/EX9T)		Q672	8-729-120-28	TRANSISTOR 2SC1623-L5L6	
D251	6-501-817-01	DIODE MA2J1110GLS0 (EX9/EX9T)		Q731	8-729-037-03	TRANSISTOR KTA1266GR-AT	
D671	6-500-848-01	DIODE MC2840-T112-1		Q732	8-729-120-28	TRANSISTOR 2SC1623-L5L6	
				Q741	8-729-120-28	TRANSISTOR 2SC1623-L5L6	
				Q751	8-729-120-28	TRANSISTOR 2SC1623-L5L6	
				Q752	8-729-120-28	TRANSISTOR 2SC1623-L5L6 (EX9/EX9T)	

Ref. No.	Part No.	Description	Remark	Ref. No.	Part No.	Description	Remark
Q753	8-729-120-28	TRANSISTOR	2SC1623-L5L6 (EX9/EX9T)	R133	1-216-823-11	METAL CHIP	1.5K 5% 1/10W
Q754	6-551-696-01	TRANSISTOR	ISA1235AC1TP-1EF (EX9/EX9T)				(EX8/EX8T)
Q755	8-729-120-28	TRANSISTOR	2SC1623-L5L6 (EX9/EX9T)	R134	1-216-823-11	METAL CHIP	1.5K 5% 1/10W
Q756	6-551-696-01	TRANSISTOR	ISA1235AC1TP-1EF (EX9/EX9T)				(EX8/EX8T)
Q770	8-729-120-28	TRANSISTOR	2SC1623-L5L6	△ R135	1-216-361-31	METAL OXIDE	0.22 5% 2W F
							(EX8/EX8T)
Q771	8-729-120-28	TRANSISTOR	2SC1623-L5L6	△ R136	1-216-361-31	METAL OXIDE	0.22 5% 2W F
Q772	8-729-120-28	TRANSISTOR	2SC1623-L5L6				(EX8/EX8T)
		< RESISTOR >		R141	1-216-822-11	METAL CHIP	1.2K 5% 1/10W
							(EX8/EX8T/EX9/EX9T)
R101	1-216-830-11	METAL CHIP	5.6K 5% 1/10W	R142	1-216-822-11	METAL CHIP	1.2K 5% 1/10W
			(EX8/EX8T)				(EX8/EX8T/EX9/EX9T)
R101	1-218-866-11	METAL CHIP	6.2K 0.5% 1/10W	R143	1-216-837-11	METAL CHIP	22K 5% 1/10W
			(EX9/EX9T)				(EX8/EX8T/EX9/EX9T)
R102	1-216-830-11	METAL CHIP	5.6K 5% 1/10W	R144	1-216-837-11	METAL CHIP	22K 5% 1/10W
			(EX8/EX8T)				(EX8/EX8T/EX9/EX9T)
R102	1-218-866-11	METAL CHIP	6.2K 0.5% 1/10W	R145	1-216-825-11	METAL CHIP	2.2K 5% 1/10W
			(EX9/EX9T)				(EX8/EX8T/EX9/EX9T)
R103	1-216-833-11	METAL CHIP	10K 5% 1/10W	R146	1-216-825-11	METAL CHIP	2.2K 5% 1/10W
			(EX8/EX8T/EX9/EX9T)				(EX8/EX8T/EX9/EX9T)
R104	1-216-833-11	METAL CHIP	10K 5% 1/10W	R151	1-216-822-11	METAL CHIP	1.2K 5% 1/10W
			(EX8/EX8T/EX9/EX9T)				(EX8/EX8T)
R105	1-216-841-11	METAL CHIP	47K 5% 1/10W	R152	1-216-822-11	METAL CHIP	1.2K 5% 1/10W
			(EX8/EX8T/EX9/EX9T)				(EX8/EX8T)
R106	1-216-841-11	METAL CHIP	47K 5% 1/10W	R153	1-216-837-11	METAL CHIP	22K 5% 1/10W
			(EX8/EX8T/EX9/EX9T)				(EX8/EX8T)
R107	1-216-817-11	METAL CHIP	470 5% 1/10W	R154	1-216-837-11	METAL CHIP	22K 5% 1/10W
			(EX8/EX8T/EX9/EX9T)				(EX8/EX8T)
R108	1-216-817-11	METAL CHIP	470 5% 1/10W	R155	1-216-825-11	METAL CHIP	2.2K 5% 1/10W
			(EX8/EX8T/EX9/EX9T)				(EX8/EX8T)
△ R109	1-215-890-11	METAL OXIDE	470 5% 2W F	R156	1-216-825-11	METAL CHIP	2.2K 5% 1/10W
△ R110	1-215-890-11	METAL OXIDE	470 5% 2W F				(EX8/EX8T)
R111	1-216-841-11	METAL CHIP	47K 5% 1/10W	R161	1-216-813-11	METAL CHIP	220 5% 1/10W
			(EX8/EX8T/EX9/EX9T)				(EX8/EX8T/EX9/EX9T)
R112	1-216-841-11	METAL CHIP	47K 5% 1/10W	R162	1-216-813-11	METAL CHIP	220 5% 1/10W
			(EX8/EX8T/EX9/EX9T)				(EX8/EX8T/EX9/EX9T)
R113	1-216-823-11	METAL CHIP	1.5K 5% 1/10W	R163	1-216-813-11	METAL CHIP	220 5% 1/10W
			(EX8/EX8T/EX9/EX9T)				(EX8/EX8T/EX9/EX9T)
R114	1-216-823-11	METAL CHIP	1.5K 5% 1/10W	R164	1-216-813-11	METAL CHIP	220 5% 1/10W
			(EX8/EX8T/EX9/EX9T)				(EX8/EX8T/EX9/EX9T)
△ R115	1-216-361-31	METAL OXIDE	0.22 5% 2W F	R165	1-216-813-11	METAL CHIP	220 5% 1/10W
			(EX8/EX8T/EX9/EX9T)				(EX8/EX8T)
△ R116	1-216-361-31	METAL OXIDE	0.22 5% 2W F	R166	1-216-813-11	METAL CHIP	220 5% 1/10W
			(EX8/EX8T/EX9/EX9T)				(EX8/EX8T)
R117	1-249-401-11	CARBON	47 5% 1/4W	R167	1-216-813-11	METAL CHIP	220 5% 1/10W
R118	1-249-401-11	CARBON	47 5% 1/4W				(EX8/EX8T)
				R168	1-216-813-11	METAL CHIP	220 5% 1/10W
R121	1-216-830-11	METAL CHIP	5.6K 5% 1/10W				(EX8/EX8T)
			(EX8/EX8T)	R181	1-216-845-11	METAL CHIP	100K 5% 1/10W
R122	1-216-830-11	METAL CHIP	5.6K 5% 1/10W				
			(EX8/EX8T)	R182	1-216-829-11	METAL CHIP	4.7K 5% 1/10W
R123	1-216-833-11	METAL CHIP	10K 5% 1/10W	R183	1-216-833-11	METAL CHIP	10K 5% 1/10W
			(EX8/EX8T)	R184	1-216-833-11	METAL CHIP	10K 5% 1/10W
R124	1-216-833-11	METAL CHIP	10K 5% 1/10W	R190	1-216-821-11	METAL CHIP	1K 5% 1/10W
			(EX8/EX8T)				(EX8/EX8T/EX9/EX9T)
R125	1-216-841-11	METAL CHIP	47K 5% 1/10W	R191	1-216-809-11	METAL CHIP	100 5% 1/10W
			(EX8/EX8T)				(EX8/EX8T/EX9/EX9T)
R126	1-216-841-11	METAL CHIP	47K 5% 1/10W	R192	1-216-833-11	METAL CHIP	10K 5% 1/10W
			(EX8/EX8T)	R193	1-216-821-11	METAL CHIP	1K 5% 1/10W
R127	1-216-817-11	METAL CHIP	470 5% 1/10W	R194	1-216-841-11	METAL CHIP	47K 5% 1/10W
			(EX8/EX8T)	R201	1-216-824-11	METAL CHIP	1.8K 5% 1/10W
R128	1-216-817-11	METAL CHIP	470 5% 1/10W				(EX6/EX6T)
			(EX8/EX8T)	R201	1-218-866-11	METAL CHIP	6.2K 0.5% 1/10W
R131	1-216-841-11	METAL CHIP	47K 5% 1/10W				(EX9/EX9T)
			(EX8/EX8T)	R202	1-218-866-11	METAL CHIP	6.2K 0.5% 1/10W
R132	1-216-841-11	METAL CHIP	47K 5% 1/10W				(EX9/EX9T)
			(EX8/EX8T)				

HCD-EX6/EX6T/EX8/EX8T/EX9/EX9T

MAIN-AMP

Ref. No.	Part No.	Description	Remark	Ref. No.	Part No.	Description	Remark
R203	1-216-825-11	METAL CHIP	2.2K 5% 1/10W (EX6/EX6T)	R251	1-216-823-11	METAL CHIP	1.5K 5% 1/10W (EX9/EX9T)
R203	1-216-833-11	METAL CHIP	10K 5% 1/10W (EX9/EX9T)	R253	1-216-837-11	METAL CHIP	22K 5% 1/10W (EX6/EX6T/EX9/EX9T)
R204	1-216-833-11	METAL CHIP	10K 5% 1/10W (EX9/EX9T)	R255	1-216-825-11	METAL CHIP	2.2K 5% 1/10W (EX6/EX6T/EX9/EX9T)
R205	1-216-841-11	METAL CHIP	47K 5% 1/10W (EX6/EX6T/EX9/EX9T)	R261	1-216-813-11	METAL CHIP	220 5% 1/10W (EX6/EX6T/EX9/EX9T)
R206	1-216-841-11	METAL CHIP	47K 5% 1/10W (EX9/EX9T)	R262	1-216-813-11	METAL CHIP	220 5% 1/10W (EX6/EX6T/EX9/EX9T)
R207	1-216-817-11	METAL CHIP	470 5% 1/10W (EX6/EX6T/EX9/EX9T)	R263	1-216-813-11	METAL CHIP	220 5% 1/10W (EX6/EX6T/EX9/EX9T)
R208	1-216-817-11	METAL CHIP	470 5% 1/10W (EX9/EX9T)	R264	1-216-813-11	METAL CHIP	220 5% 1/10W (EX6/EX6T/EX9/EX9T)
R210	1-216-864-11	SHORT CHIP	0 (EX6/EX6T)	R290	1-216-821-11	METAL CHIP	1K 5% 1/10W (EX6/EX6T/EX9/EX9T)
R211	1-216-841-11	METAL CHIP	47K 5% 1/10W (EX6/EX6T/EX9/EX9T)	R291	1-216-809-11	METAL CHIP	100 5% 1/10W (EX6/EX6T/EX9/EX9T)
R212	1-216-841-11	METAL CHIP	47K 5% 1/10W (EX9/EX9T)	R601	1-216-829-11	METAL CHIP	4.7K 5% 1/10W
R213	1-216-823-11	METAL CHIP	1.5K 5% 1/10W (EX6/EX6T/EX9/EX9T)	R602	1-216-829-11	METAL CHIP	4.7K 5% 1/10W
R214	1-216-823-11	METAL CHIP	1.5K 5% 1/10W (EX9/EX9T)	R605	1-216-864-11	SHORT CHIP	0
△ R215	1-216-361-31	METAL OXIDE	0.22 5% 2W F (EX6/EX6T/EX9/EX9T)	R606	1-216-864-11	SHORT CHIP	0
△ R216	1-216-361-31	METAL OXIDE	0.22 5% 2W F (EX9/EX9T)	R609	1-216-829-11	METAL CHIP	4.7K 5% 1/10W
R221	1-216-813-11	METAL CHIP	220 5% 1/10W (EX9/EX9T)	R610	1-216-829-11	METAL CHIP	4.7K 5% 1/10W
R221	1-216-824-11	METAL CHIP	1.8K 5% 1/10W (EX6/EX6T)	R611	1-216-837-11	METAL CHIP	22K 5% 1/10W
R223	1-216-825-11	METAL CHIP	2.2K 5% 1/10W (EX6/EX6T)	R612	1-216-837-11	METAL CHIP	22K 5% 1/10W
R223	1-216-837-11	METAL CHIP	22K 5% 1/10W (EX9/EX9T)	R613	1-216-833-11	METAL CHIP	10K 5% 1/10W (EX6T/EX8T/EX9T)
R225	1-216-841-11	METAL CHIP	47K 5% 1/10W (EX6/EX6T/EX9/EX9T)	R614	1-216-833-11	METAL CHIP	10K 5% 1/10W (EX6T/EX8T/EX9T)
R227	1-216-817-11	METAL CHIP	470 5% 1/10W (EX6/EX6T)	R615	1-216-826-11	METAL CHIP	2.7K 5% 1/10W (EX6T/EX8T/EX9T)
R227	1-216-864-11	SHORT CHIP	0 (EX9/EX9T)	R616	1-216-826-11	METAL CHIP	2.7K 5% 1/10W (EX6T/EX8T/EX9T)
R231	1-216-841-11	METAL CHIP	47K 5% 1/10W (EX6/EX6T/EX9/EX9T)	R617	1-216-829-11	METAL CHIP	4.7K 5% 1/10W (EX6T/EX8T/EX9T)
R233	1-216-823-11	METAL CHIP	1.5K 5% 1/10W (EX6/EX6T/EX9/EX9T)	R618	1-216-829-11	METAL CHIP	4.7K 5% 1/10W (EX6T/EX8T/EX9T)
△ R235	1-216-365-00	METAL OXIDE	0.47 5% 2W F (EX9/EX9T)	R621	1-216-835-11	METAL CHIP	15K 5% 1/10W
△ R236	1-216-361-31	METAL OXIDE	0.22 5% 2W F (EX6/EX6T)	R622	1-216-835-11	METAL CHIP	15K 5% 1/10W
△ R237	1-216-365-00	METAL OXIDE	0.47 5% 2W F (EX9/EX9T)	R623	1-216-837-11	METAL CHIP	22K 5% 1/10W
R241	1-216-822-11	METAL CHIP	1.2K 5% 1/10W (EX6/EX6T/EX9/EX9T)	R624	1-216-837-11	METAL CHIP	22K 5% 1/10W
R242	1-216-822-11	METAL CHIP	1.2K 5% 1/10W (EX9/EX9T)	R631	1-216-830-11	METAL CHIP	5.6K 5% 1/10W
R243	1-216-837-11	METAL CHIP	22K 5% 1/10W (EX6/EX6T/EX9/EX9T)	R632	1-216-830-11	METAL CHIP	5.6K 5% 1/10W
R244	1-216-837-11	METAL CHIP	22K 5% 1/10W (EX9/EX9T)	R633	1-216-829-11	METAL CHIP	4.7K 5% 1/10W
R245	1-216-825-11	METAL CHIP	2.2K 5% 1/10W (EX6/EX6T/EX9/EX9T)	R634	1-216-829-11	METAL CHIP	4.7K 5% 1/10W
R246	1-216-825-11	METAL CHIP	2.2K 5% 1/10W (EX9/EX9T)	R635	1-216-830-11	METAL CHIP	5.6K 5% 1/10W
R250	1-216-823-11	METAL CHIP	1.5K 5% 1/10W (EX9/EX9T)	R636	1-216-830-11	METAL CHIP	5.6K 5% 1/10W
R251	1-216-822-11	METAL CHIP	1.2K 5% 1/10W (EX6/EX6T)	R637	1-216-809-11	METAL CHIP	100 5% 1/10W
				R638	1-216-809-11	METAL CHIP	100 5% 1/10W
				R641	1-216-809-11	METAL CHIP	100 5% 1/10W
				R642	1-216-813-11	METAL CHIP	220 5% 1/10W
				R643	1-216-813-11	METAL CHIP	220 5% 1/10W
				R650	1-216-821-11	METAL CHIP	1K 5% 1/10W (EX9/EX9T)
				R651	1-216-819-11	METAL CHIP	680 5% 1/10W (EX9/EX9T)
				R652	1-216-864-11	SHORT CHIP	0 (EX9/EX9T)
				R654	1-216-842-11	METAL CHIP	56K 5% 1/10W (EX9/EX9T)
				R655	1-216-845-11	METAL CHIP	100K 5% 1/10W (EX9/EX9T)
				R656	1-216-821-11	METAL CHIP	1K 5% 1/10W (EX9/EX9T)

Ref. No.	Part No.	Description	Remark	Ref. No.	Part No.	Description	Remark
R657	1-216-821-11	METAL CHIP	1K 5% 1/10W (EX9/EX9T)	R713	1-249-403-11	CARBON 68 5% 1/4W (EXCEPT EX6/EX6T/EX8:MX/EX9:MX)	
R658	1-216-825-11	METAL CHIP	2.2K 5% 1/10W (EX9/EX9T)	R715	1-216-797-11	METAL CHIP 10 5% 1/10W (EX8/EX8T/EX9/EX9T)	
R659	1-216-823-11	METAL CHIP	1.5K 5% 1/10W (EX9/EX9T)	R716	1-216-797-11	METAL CHIP 10 5% 1/10W (EX8/EX8T/EX9/EX9T)	
R660	1-216-829-11	METAL CHIP	4.7K 5% 1/10W (EX9/EX9T)	R719	1-216-845-11	METAL CHIP 100K 5% 1/10W (EX8/EX8T/EX9/EX9T)	
R661	1-216-841-11	METAL CHIP	47K 5% 1/10W (EX9/EX9T)	R720	1-216-845-11	METAL CHIP 100K 5% 1/10W (EX8/EX8T/EX9/EX9T)	
R662	1-216-845-11	METAL CHIP	100K 5% 1/10W (EX9/EX9T)	R721	1-249-401-11	CARBON 47 5% 1/4W (EX9:MX)	
R663	1-216-864-11	SHORT CHIP	0 (EX9/EX9T)	R721	1-249-403-11	CARBON 68 5% 1/4W (EX9:E2,E51,AR/EX9T)	
R664	1-216-821-11	METAL CHIP	1K 5% 1/10W (EX9/EX9T)	R722	1-249-401-11	CARBON 47 5% 1/4W (EX9:MX)	
R665	1-216-833-11	METAL CHIP	10K 5% 1/10W (EX9/EX9T)	R722	1-249-403-11	CARBON 68 5% 1/4W (EX9:E2,E51,AR/EX9T)	
R666	1-216-833-11	METAL CHIP	10K 5% 1/10W (EX9/EX9T)	R723	1-249-401-11	CARBON 47 5% 1/4W (EX9:MX)	
R667	1-216-821-11	METAL CHIP	1K 5% 1/10W (EX9/EX9T)	R723	1-249-403-11	CARBON 68 5% 1/4W (EX9:E2,E51,AR/EX9T)	
R668	1-216-839-11	METAL CHIP	33K 5% 1/10W (EX9/EX9T)	R725	1-216-797-11	METAL CHIP 10 5% 1/10W (EX9/EX9T)	
R669	1-216-839-11	METAL CHIP	33K 5% 1/10W (EX9/EX9T)	R729	1-216-845-11	METAL CHIP 100K 5% 1/10W (EX9/EX9T)	
R671	1-216-837-11	METAL CHIP	22K 5% 1/10W	R731	1-249-395-11	CARBON 15 5% 1/4W	
R672	1-216-837-11	METAL CHIP	22K 5% 1/10W	R732	1-249-395-11	CARBON 15 5% 1/4W	
R673	1-216-845-11	METAL CHIP	100K 5% 1/10W	R733	1-249-395-11	CARBON 15 5% 1/4W	
R674	1-216-841-11	METAL CHIP	47K 5% 1/10W	R734	1-216-841-11	METAL CHIP 47K 5% 1/10W	
R675	1-216-821-11	METAL CHIP	1K 5% 1/10W	R735	1-216-829-11	METAL CHIP 4.7K 5% 1/10W	
R676	1-216-845-11	METAL CHIP	100K 5% 1/10W	R736	1-216-833-11	METAL CHIP 10K 5% 1/10W	
R678	1-216-821-11	METAL CHIP	1K 5% 1/10W	R737	1-216-829-11	METAL CHIP 4.7K 5% 1/10W	
R679	1-216-841-11	METAL CHIP	47K 5% 1/10W	R738	1-216-817-11	METAL CHIP 470 5% 1/10W	
R680	1-216-821-11	METAL CHIP	1K 5% 1/10W	R744	1-216-837-11	METAL CHIP 22K 5% 1/10W	
R681	1-216-864-11	SHORT CHIP	0	R745	1-216-829-11	METAL CHIP 4.7K 5% 1/10W	
R682	1-216-817-11	METAL CHIP	470 5% 1/10W	R746	1-216-829-11	METAL CHIP 4.7K 5% 1/10W	
R701	1-249-401-11	CARBON	47 5% 1/4W (MX)	R747	1-216-837-11	METAL CHIP 22K 5% 1/10W	
R701	1-249-403-11	CARBON	68 5% 1/4W (EXCEPT MX)	R749	1-216-833-11	METAL CHIP 10K 5% 1/10W	
R702	1-249-401-11	CARBON	47 5% 1/4W (MX)	R750	1-216-864-11	SHORT CHIP 0 (EX6/EX6T/EX8/EX8T)	
R702	1-249-403-11	CARBON	68 5% 1/4W (EXCEPT MX)	R751	1-216-821-11	METAL CHIP 1K 5% 1/10W	
R703	1-249-401-11	CARBON	47 5% 1/4W (MX)	R752	1-216-825-11	METAL CHIP 2.2K 5% 1/10W	
R703	1-249-403-11	CARBON	68 5% 1/4W (EXCEPT MX)	R753	1-216-833-11	METAL CHIP 10K 5% 1/10W	
R705	1-216-797-11	METAL CHIP	10 5% 1/10W	R754	1-216-829-11	METAL CHIP 4.7K 5% 1/10W (EX9/EX9T)	
R706	1-216-797-11	METAL CHIP	10 5% 1/10W	R755	1-216-829-11	METAL CHIP 4.7K 5% 1/10W (EX9/EX9T)	
R707	1-216-797-11	METAL CHIP	10 5% 1/10W	R756	1-216-841-11	METAL CHIP 47K 5% 1/10W (EX9/EX9T)	
R708	1-216-797-11	METAL CHIP	10 5% 1/10W	R757	1-216-833-11	METAL CHIP 10K 5% 1/10W (EX9/EX9T)	
R709	1-216-845-11	METAL CHIP	100K 5% 1/10W	R758	1-216-833-11	METAL CHIP 10K 5% 1/10W (EX9/EX9T)	
R710	1-216-845-11	METAL CHIP	100K 5% 1/10W	R759	1-216-833-11	METAL CHIP 10K 5% 1/10W (EX9/EX9T)	
R711	1-249-401-11	CARBON	47 5% 1/4W (MX)	R760	1-216-827-11	METAL CHIP 3.3K 5% 1/10W (EX9/EX9T)	
R711	1-249-403-11	CARBON	68 5% 1/4W (EXCEPT EX6/EX6T/EX8:MX/EX9:MX)	R761	1-216-823-11	METAL CHIP 1.5K 5% 1/10W (EX9/EX9T)	
R712	1-249-401-11	CARBON	47 5% 1/4W (MX)	R762	1-216-841-11	METAL CHIP 47K 5% 1/10W (EX9/EX9T)	
R712	1-249-403-11	CARBON	68 5% 1/4W (EXCEPT EX6/EX6T/EX8:MX/EX9:MX)	R763	1-216-833-11	METAL CHIP 10K 5% 1/10W (EX9/EX9T)	
R713	1-249-401-11	CARBON	47 5% 1/4W (MX)				

HCD-EX6/EX6T/EX8/EX8T/EX9/EX9T

MAIN-AMP **PANEL**

Ref. No.	Part No.	Description	Remark
R764	1-216-833-11	METAL CHIP 10K 5%	1/10W (EX9/EX9T)
R765	1-216-833-11	METAL CHIP 10K 5%	1/10W (EX9/EX9T)
R766	1-216-833-11	METAL CHIP 10K 5%	1/10W (EX9/EX9T)
R767	1-216-833-11	METAL CHIP 10K 5%	1/10W (EX9/EX9T)
R768	1-216-829-11	METAL CHIP 4.7K 5%	1/10W (EX9/EX9T)
R770	1-216-801-11	METAL CHIP 22	5% 1/10W
R771	1-216-801-11	METAL CHIP 22	5% 1/10W
R772	1-216-834-11	METAL CHIP 12K	5% 1/10W
R773	1-216-849-11	METAL CHIP 220K	5% 1/10W
R774	1-216-833-11	METAL CHIP 10K	5% 1/10W
R775	1-216-849-11	METAL CHIP 220K	5% 1/10W
R776	1-216-841-11	METAL CHIP 47K	5% 1/10W
R801	1-216-821-11	METAL CHIP 1K	5% 1/10W
R802	1-216-821-11	METAL CHIP 1K	5% 1/10W
R803	1-216-821-11	METAL CHIP 1K	5% 1/10W
R804	1-216-821-11	METAL CHIP 1K	5% 1/10W
R805	1-216-809-11	METAL CHIP 100	5% 1/10W
R806	1-216-833-11	METAL CHIP 10K	5% 1/10W
R807	1-216-848-11	METAL CHIP 180K	5% 1/10W
R808	1-216-864-11	SHORT CHIP 0	
R809	1-216-837-11	METAL CHIP 22K	5% 1/10W
R810	1-216-797-11	METAL CHIP 10	5% 1/10W
R811	1-216-839-11	METAL CHIP 33K	5% 1/10W
R871	1-216-833-11	METAL CHIP 10K	5% 1/10W (EX6T/EX8T/EX9T)
R872	1-216-829-11	METAL CHIP 4.7K	5% 1/10W (EX6T/EX8T/EX9T)
R873	1-216-833-11	METAL CHIP 10K	5% 1/10W (EX6T/EX8T/EX9T)
R874	1-216-833-11	METAL CHIP 10K	5% 1/10W (EX6T/EX8T/EX9T)
		< RELAY >	
RY701	1-755-307-21	RELAY	
RY711	1-755-307-21	RELAY (EX8/EX8T/EX9/EX9T)	
RY721	1-755-307-21	RELAY (EX9/EX9T)	
		< TERMINAL BOARD >	
TB701	1-780-314-11	TERMINAL BOARD (4P) (SPEAKERS) (EX6/EX6T)	
TB701	1-780-314-11	TERMINAL BOARD (4P) (SPEAKERS HIGH)	
		(EX8/EX8T/EX9/EX9T)	
TB702	1-780-685-11	TERMINAL BOARD (4P) (SPEAKERS LOW)	
		(EX8/EX8T/EX9/EX9T)	
TB703	1-780-684-11	TERMINAL BOARD (2P) (SUBWOOFER)	
		(EX9/EX9T)	
		< VIBRATOR >	
X801	1-814-067-11	OSCILLATOR, CRYSTAL (32.768kHz)	

Ref. No.	Part No.	Description	Remark
	A-1748-811-A	PANEL BOARD, COMPLETE (EX9:E2)	
	A-1748-812-A	PANEL BOARD, COMPLETE (EX9:E51,AR,MX)	
	A-1748-813-A	PANEL BOARD, COMPLETE (EX8:E2)	
	A-1748-814-A	PANEL BOARD, COMPLETE (EX8:E51,AR,MX)	
	A-1748-815-A	PANEL BOARD, COMPLETE (EX6:E2)	
	A-1748-816-A	PANEL BOARD, COMPLETE (EX6:E51,AR)	
	A-1748-817-A	PANEL BOARD, COMPLETE (EX9T)	
	A-1748-818-A	PANEL BOARD, COMPLETE (EX8T)	
	A-1748-819-A	PANEL BOARD, COMPLETE (EX6T)	

	2-649-178-01	PLATE, LIGHT GUIDE	
	2-665-175-01	SHEET (REFLECTOR)	
		< CAPACITOR >	
C301	1-164-156-11	CERAMIC CHIP 0.1uF	25V
C302	1-104-658-91	ELECT 100uF	20% 10V
C303	1-126-964-11	ELECT 10uF	20% 50V
C304	1-107-826-11	CERAMIC CHIP 0.1uF	10% 16V
C305	1-126-964-11	ELECT 10uF	20% 50V
C306	1-104-655-91	ELECT 470uF	20% 6.3V
C308	1-164-156-11	CERAMIC CHIP 0.1uF	25V
C309	1-126-965-91	ELECT 22uF	20% 50V
C310	1-164-156-11	CERAMIC CHIP 0.1uF	25V
C311	1-164-156-11	CERAMIC CHIP 0.1uF	25V
C312	1-164-156-11	CERAMIC CHIP 0.1uF	25V
C314	1-165-176-11	CERAMIC CHIP 0.047uF	10% 16V
C315	1-165-176-11	CERAMIC CHIP 0.047uF	10% 16V
C316	1-165-176-11	CERAMIC CHIP 0.047uF	10% 16V
C317	1-162-960-11	CERAMIC CHIP 220PF	10% 50V
C319	1-162-918-11	CERAMIC CHIP 18PF	5% 50V
C320	1-162-919-11	CERAMIC CHIP 22PF	5% 50V
C321	1-164-156-11	CERAMIC CHIP 0.1uF	25V
C328	1-165-176-11	CERAMIC CHIP 0.047uF	10% 16V
C330	1-164-156-11	CERAMIC CHIP 0.1uF	25V
C332	1-162-970-11	CERAMIC CHIP 0.01uF	10% 25V
C336	1-164-156-11	CERAMIC CHIP 0.1uF	25V
C338	1-162-964-11	CERAMIC CHIP 0.001uF	10% 50V
C340	1-164-156-11	CERAMIC CHIP 0.1uF	25V
C341	1-164-156-11	CERAMIC CHIP 0.1uF	25V
C342	1-162-964-11	CERAMIC CHIP 0.001uF	10% 50V
C343	1-126-965-91	ELECT 22uF	20% 50V
C344	1-165-176-11	CERAMIC CHIP 0.047uF	10% 16V
C345	1-165-176-11	CERAMIC CHIP 0.047uF	10% 16V
C346	1-165-176-11	CERAMIC CHIP 0.047uF	10% 16V
C450	1-162-962-11	CERAMIC CHIP 470PF	10% 50V
C451	1-126-923-91	ELECT 220uF	20% 10V
C452	1-126-925-91	ELECT 470uF	20% 10V
C453	1-162-966-11	CERAMIC CHIP 0.0022uF	10% 50V
C454	1-126-925-91	ELECT 470uF	20% 10V
C497	1-164-156-11	CERAMIC CHIP 0.1uF	25V
C498	1-162-970-11	CERAMIC CHIP 0.01uF	10% 25V
		< CONNECTOR >	
CN301	1-568-864-11	CONNECTOR, FFC 21P (EX6T/EX8T/EX9T)	
CN302	1-784-735-11	CONNECTOR, FFC 13P	
CN303	1-784-741-11	CONNECTOR, FFC 19P (EX6/EX8/EX9)	
CN305	1-779-548-21	CONNECTOR, FFC (LIF (NON-ZIF)) 11P	
CN306	1-568-854-11	CONNECTOR, FFC 11P	
CN451	1-779-293-11	CONNECTOR, FFC (LIF (NON-ZIF)) 25P	

Ref. No.	Part No.	Description	Remark	Ref. No.	Part No.	Description	Remark
		< DIODE >		Q451	8-729-036-86	TRANSISTOR KTC3203Y-AT	
D301	6-501-722-01	DIODE MAZ8043GMLS0		Q452	8-729-120-28	TRANSISTOR 2SC1623-L5L6	
D302	6-501-817-01	DIODE MA2J1110GLS0				< RESISTOR >	
D303	6-500-334-01	DIODE MC2836-T112-1		R301	1-216-809-11	METAL CHIP 100 5% 1/10W	(EX6T/EX8T/EX9T)
D304	6-500-335-01	DIODE MC2838-T112-1		R302	1-216-809-11	METAL CHIP 100 5% 1/10W	
D305	6-501-817-01	DIODE MA2J1110GLS0		R303	1-216-809-11	METAL CHIP 100 5% 1/10W	
D306	6-503-056-01	LED 1L0341Y23E0CA602-II (LCD BACK LIGHT)		R304	1-216-809-11	METAL CHIP 100 5% 1/10W	
D313	6-503-055-01	LED 1L434XA22E0DDT01 (VOLUME)		R305	1-216-809-11	METAL CHIP 100 5% 1/10W	
D314	6-503-055-01	LED 1L434XA22E0DDT01 (VOLUME)		R306	1-216-809-11	METAL CHIP 100 5% 1/10W	
D315	6-503-055-01	LED 1L434XA22E0DDT01 (VOLUME)		R307	1-216-809-11	METAL CHIP 100 5% 1/10W	
D316	6-503-055-01	LED 1L434XA22E0DDT01 (VOLUME)		R308	1-216-809-11	METAL CHIP 100 5% 1/10W	
D317	6-503-055-01	LED 1L434XA22E0DDT01 (VOLUME)		R309	1-216-809-11	METAL CHIP 100 5% 1/10W	
D322	6-501-582-01	DIODE 1N4002-A2		R310	1-216-809-11	METAL CHIP 100 5% 1/10W	
D400	6-501-582-01	DIODE 1N4002-A2		R311	1-216-809-11	METAL CHIP 100 5% 1/10W	
D451	6-501-719-01	DIODE MAZ8039GHLS0		R312	1-216-809-11	METAL CHIP 100 5% 1/10W	
D452	6-501-582-01	DIODE 1N4002-A2		R313	1-216-809-11	METAL CHIP 100 5% 1/10W	
D453	6-501-582-01	DIODE 1N4002-A2		R314	1-216-809-11	METAL CHIP 100 5% 1/10W	
		< IC >		R315	1-216-809-11	METAL CHIP 100 5% 1/10W	
IC301	A-1768-191-A	IC MB90F831PF-G-SPE1 (for SERVICE) (EX6/EX8/EX9)		R316	1-216-809-11	METAL CHIP 100 5% 1/10W	
IC301	A-1768-192-A	IC MB90F831PF-G-SPE1 (for SERVICE) (EX6T/EX8T/EX9T)		R317	1-216-809-11	METAL CHIP 100 5% 1/10W	
IC302	6-600-767-01	IC PNA4823M02S0 (IR)		R318	1-216-809-11	METAL CHIP 100 5% 1/10W	
		< JUMPER RESISTOR >		R319	1-216-809-11	METAL CHIP 100 5% 1/10W	
JR301	1-216-864-11	SHORT CHIP 0		R320	1-216-809-11	METAL CHIP 100 5% 1/10W	
JR302	1-216-864-11	SHORT CHIP 0		R321	1-216-809-11	METAL CHIP 100 5% 1/10W	
JR303	1-216-864-11	SHORT CHIP 0		R322	1-216-809-11	METAL CHIP 100 5% 1/10W	
JR304	1-216-864-11	SHORT CHIP 0		R323	1-216-797-11	METAL CHIP 10 5% 1/10W	
JR305	1-216-864-11	SHORT CHIP 0		R324	1-216-809-11	METAL CHIP 100 5% 1/10W	
JR306	1-216-864-11	SHORT CHIP 0		R325	1-216-809-11	METAL CHIP 100 5% 1/10W	
JR307	1-216-864-11	SHORT CHIP 0		R326	1-216-809-11	METAL CHIP 100 5% 1/10W	
		< LIQUID CRYSTAL DISPLAY >		R327	1-216-809-11	METAL CHIP 100 5% 1/10W	
LCD301	1-811-042-11	DISPLAY PANEL, LIQUID CRYSTAL		R328	1-216-833-11	METAL CHIP 10K 5% 1/10W	
		< TRANSISTOR >		R329	1-216-825-11	METAL CHIP 2.2K 5% 1/10W	
Q301	8-729-120-28	TRANSISTOR 2SC1623-L5L6		R330	1-216-819-11	METAL CHIP 680 5% 1/10W	
Q302	8-729-037-13	TRANSISTOR KTA1271Y		R331	1-216-845-11	METAL CHIP 100K 5% 1/10W	
Q303	8-729-120-28	TRANSISTOR 2SC1623-L5L6		R332	1-216-833-11	METAL CHIP 10K 5% 1/10W	
Q304	8-729-120-28	TRANSISTOR 2SC1623-L5L6		R333	1-216-845-11	METAL CHIP 100K 5% 1/10W	
Q305	8-729-120-28	TRANSISTOR 2SC1623-L5L6		R334	1-216-827-11	METAL CHIP 3.3K 5% 1/10W	
Q306	8-729-038-28	TRANSISTOR RT1N441C-TP-1		R335	1-216-837-11	METAL CHIP 22K 5% 1/10W	
Q307	6-551-696-01	TRANSISTOR ISA1235AC1TP-1EF		R336	1-216-833-11	METAL CHIP 10K 5% 1/10W	
Q308	8-729-038-28	TRANSISTOR RT1N441C-TP-1		R337	1-216-813-11	METAL CHIP 220 5% 1/10W	
Q309	8-729-040-76	TRANSISTOR KTA1273-Y-AT		R338	1-216-789-11	METAL CHIP 2.2 5% 1/10W	
Q310	8-729-120-28	TRANSISTOR 2SC1623-L5L6		R339	1-216-789-11	METAL CHIP 2.2 5% 1/10W	
Q311	8-729-024-43	TRANSISTOR 2SA1365-T112-1EF		R340	1-216-829-11	METAL CHIP 4.7K 5% 1/10W	
Q312	8-729-024-43	TRANSISTOR 2SA1365-T112-1EF		R341	1-216-839-11	METAL CHIP 33K 5% 1/10W	
Q313	8-729-024-43	TRANSISTOR 2SA1365-T112-1EF		R342	1-216-849-11	METAL CHIP 220K 5% 1/10W	
Q314	8-729-024-43	TRANSISTOR 2SA1365-T112-1EF		R343	1-216-853-11	METAL CHIP 470K 5% 1/10W	
Q315	8-729-047-62	TRANSISTOR 2SC3440-T12-1F		R344	1-216-826-11	METAL CHIP 2.7K 5% 1/10W	
Q316	8-729-047-62	TRANSISTOR 2SC3440-T12-1F		R345	1-216-829-11	METAL CHIP 4.7K 5% 1/10W	
Q317	8-729-047-62	TRANSISTOR 2SC3440-T12-1F		R346	1-216-841-11	METAL CHIP 47K 5% 1/10W	
Q318	8-729-047-62	TRANSISTOR 2SC3440-T12-1F		R347	1-216-817-11	METAL CHIP 470 5% 1/10W	
Q320	8-729-120-28	TRANSISTOR 2SC1623-L5L6		R348	1-216-841-11	METAL CHIP 47K 5% 1/10W	
Q401	8-729-120-28	TRANSISTOR 2SC1623-L5L6		R349	1-216-817-11	METAL CHIP 470 5% 1/10W	
Q402	8-729-120-28	TRANSISTOR 2SC1623-L5L6		R350	1-216-841-11	METAL CHIP 47K 5% 1/10W	
				R351	1-216-817-11	METAL CHIP 470 5% 1/10W	
				R352	1-216-841-11	METAL CHIP 47K 5% 1/10W	
				R353	1-216-817-11	METAL CHIP 470 5% 1/10W	
				R354	1-216-841-11	METAL CHIP 47K 5% 1/10W	
				R355	1-216-818-11	METAL CHIP 560 5% 1/10W	
				R356	1-216-818-11	METAL CHIP 560 5% 1/10W	
				R357	1-216-841-11	METAL CHIP 47K 5% 1/10W	

HCD-EX6/EX6T/EX8/EX8T/EX9/EX9T

PANEL

Ref. No.	Part No.	Description			Remark	Ref. No.	Part No.	Description			Remark
R358	1-216-841-11	METAL CHIP	47K	5%	1/10W	R432	1-216-833-11	METAL CHIP	10K	5%	1/10W
R359	1-216-818-11	METAL CHIP	560	5%	1/10W	R434	1-216-809-11	METAL CHIP	100	5%	1/10W
R360	1-216-818-11	METAL CHIP	560	5%	1/10W	R435	1-216-839-11	METAL CHIP	33K	5%	1/10W
R361	1-216-841-11	METAL CHIP	47K	5%	1/10W	R436	1-216-833-11	METAL CHIP	10K	5%	1/10W
R362	1-216-837-11	METAL CHIP	22K	5%	1/10W	R440	1-216-821-11	METAL CHIP	1K	5%	1/10W
R363	1-216-837-11	METAL CHIP	22K	5%	1/10W	R441	1-216-809-11	METAL CHIP	100	5%	1/10W
R364	1-216-837-11	METAL CHIP	22K	5%	1/10W	R442	1-216-813-11	METAL CHIP	220	5%	1/10W
R365	1-216-837-11	METAL CHIP	22K	5%	1/10W	R443	1-216-817-11	METAL CHIP	470	5%	1/10W
R366	1-216-833-11	METAL CHIP	10K	5%	1/10W	R444	1-216-809-11	METAL CHIP	100	5%	1/10W
R367	1-216-837-11	METAL CHIP	22K	5%	1/10W	R449	1-216-864-11	SHORT CHIP	0		
R368	1-216-833-11	METAL CHIP	10K	5%	1/10W	R450	1-216-833-11	METAL CHIP	10K	5%	1/10W
R369	1-216-821-11	METAL CHIP	1K	5%	1/10W	R451	1-216-809-11	METAL CHIP	100	5%	1/10W
R370	1-216-821-11	METAL CHIP	1K	5%	1/10W	R452	1-216-837-11	METAL CHIP	22K	5%	1/10W
R371	1-216-821-11	METAL CHIP	1K	5%	1/10W	R453	1-216-821-11	METAL CHIP	1K	5%	1/10W
R372	1-216-821-11	METAL CHIP	1K	5%	1/10W	R454	1-249-403-11	CARBON	68	5%	1/4W
R373	1-216-833-11	METAL CHIP	10K	5%	1/10W	R455	1-249-403-11	CARBON	68	5%	1/4W
R374	1-216-821-11	METAL CHIP	1K	5%	1/10W	R456	1-249-403-11	CARBON	68	5%	1/4W
R375	1-216-805-11	METAL CHIP	47	5%	1/10W	R458	1-216-864-11	SHORT CHIP	0		
R376	1-216-822-11	METAL CHIP	1.2K	5%	1/10W	R459	1-216-864-11	SHORT CHIP	0		
R377	1-216-809-11	METAL CHIP	100	5%	1/10W	R460	1-216-864-11	SHORT CHIP	0		
R378	1-216-829-11	METAL CHIP	4.7K	5%	1/10W	R461	1-216-864-11	SHORT CHIP	0		
R379	1-216-829-11	METAL CHIP	4.7K	5%	1/10W	R462	1-216-864-11	SHORT CHIP	0		
R381	1-216-821-11	METAL CHIP	1K	5%	1/10W	R463	1-216-864-11	SHORT CHIP	0		
R382	1-216-809-11	METAL CHIP	100	5%	1/10W	R464	1-216-864-11	SHORT CHIP	0		
R383	1-216-809-11	METAL CHIP	100	5%	1/10W	R465	1-216-864-11	SHORT CHIP	0		
R384	1-216-839-11	METAL CHIP	33K	5%	1/10W	R466	1-216-864-11	SHORT CHIP	0		
R389	1-216-834-11	METAL CHIP	12K	5%	1/10W	R470	1-216-833-11	METAL CHIP	10K	5%	1/10W
R389	1-216-836-11	METAL CHIP	18K	5%	1/10W	R471	1-216-821-11	METAL CHIP	1K	5%	1/10W
R389	1-216-838-11	METAL CHIP	27K	5%	1/10W	R472	1-216-822-11	METAL CHIP	1.2K	5%	1/10W
R389	1-216-841-11	METAL CHIP	47K	5%	1/10W	R473	1-216-823-11	METAL CHIP	1.5K	5%	1/10W
R389	1-216-845-11	METAL CHIP	100K	5%	1/10W	R474	1-216-825-11	METAL CHIP	2.2K	5%	1/10W
R390	1-216-833-11	METAL CHIP	10K	5%	1/10W	R475	1-216-826-11	METAL CHIP	2.7K	5%	1/10W
R391	1-216-841-11	METAL CHIP	47K	5%	1/10W	R476	1-216-828-11	METAL CHIP	3.9K	5%	1/10W
R391	1-216-845-11	METAL CHIP	100K	5%	1/10W	R477	1-218-867-11	METAL CHIP	6.8K	0.5%	1/10W
R392	1-216-833-11	METAL CHIP	10K	5%	1/10W	R478	1-216-835-11	METAL CHIP	15K	5%	1/10W
R393	1-216-841-11	METAL CHIP	47K	5%	1/10W	R480	1-216-833-11	METAL CHIP	10K	5%	1/10W
R394	1-216-845-11	METAL CHIP	100K	5%	1/10W	R481	1-216-821-11	METAL CHIP	1K	5%	1/10W
R396	1-216-851-11	METAL CHIP	330K	5%	1/10W	R482	1-216-822-11	METAL CHIP	1.2K	5%	1/10W
R400	1-216-821-11	METAL CHIP	1K	5%	1/10W	R483	1-216-823-11	METAL CHIP	1.5K	5%	1/10W
R401	1-216-821-11	METAL CHIP	1K	5%	1/10W	R484	1-216-825-11	METAL CHIP	2.2K	5%	1/10W
R402	1-216-845-11	METAL CHIP	100K	5%	1/10W	R485	1-216-826-11	METAL CHIP	2.7K	5%	1/10W
R419	1-216-838-11	METAL CHIP	27K	5%	1/10W	R486	1-216-828-11	METAL CHIP	3.9K	5%	1/10W
R420	1-216-845-11	METAL CHIP	100K	5%	1/10W	R487	1-218-867-11	METAL CHIP	6.8K	0.5%	1/10W
R421	1-216-833-11	METAL CHIP	10K	5%	1/10W	R488	1-216-835-11	METAL CHIP	15K	5%	1/10W
R422	1-216-809-11	METAL CHIP	100	5%	1/10W	R489	1-216-841-11	METAL CHIP	47K	5%	1/10W
R423	1-216-807-11	METAL CHIP	68	5%	1/10W	R490	1-216-833-11	METAL CHIP	10K	5%	1/10W
R424	1-216-809-11	METAL CHIP	100	5%	1/10W	R491	1-216-821-11	METAL CHIP	1K	5%	1/10W
R425	1-216-807-11	METAL CHIP	68	5%	1/10W	R492	1-216-829-11	METAL CHIP	4.7K	5%	1/10W
R426	1-216-809-11	METAL CHIP	100	5%	1/10W	R493	1-216-843-11	METAL CHIP	68K	5%	1/10W
R427	1-216-809-11	METAL CHIP	100	5%	1/10W	R494	1-216-839-11	METAL CHIP	33K	5%	1/10W
R428	1-216-807-11	METAL CHIP	68	5%	1/10W	R495	1-216-833-11	METAL CHIP	10K	5%	1/10W
R429	1-216-845-11	METAL CHIP	100K	5%	1/10W	R496	1-216-833-11	METAL CHIP	10K	5%	1/10W
R430	1-216-845-11	METAL CHIP	100K	5%	1/10W	R497	1-216-817-11	METAL CHIP	470	5%	1/10W
R431	1-216-837-11	METAL CHIP	22K	5%	1/10W	R498	1-216-821-11	METAL CHIP	1K	5%	1/10W
								< ROTARY ENCODER >			
						S491	1-786-417-11	ENCODER, ROTARY (VOLUME)			
								< SWITCH >			
						SW471	1-771-410-21	SWITCH, TACTILE (FUNCTION)			

Ref. No.	Part No.	Description	Remark	Ref. No.	Part No.	Description	Remark
SW472	1-771-410-21	SWITCH, TACTILE (EQ) (EX6/EX6T/EX8/EX8T)		C055	1-162-962-11	CERAMIC CHIP 470PF 10%	50V
SW472	1-771-410-21	SWITCH, TACTILE (SUBWOOFER ON/OFF)	(EX9/EX9T)	C056	1-126-916-11	ELECT 1000uF 20%	6.3V
SW473	1-771-410-21	SWITCH, TACTILE (OPTIONS)		C070	1-164-156-11	CERAMIC CHIP 0.1uF	25V
SW474	1-771-410-21	SWITCH, TACTILE (DSGX)		< CONNECTOR >			
SW475	1-771-410-21	SWITCH, TACTILE (▶▶▶)		* CN001	1-793-660-11	PIN, CONNECTOR (PC BOARD) 3P	
SW476	1-771-410-21	SWITCH, TACTILE (- TUNING ◀◀◀ ◀◀◀)		CN010	1-819-141-11	PIN, CONNECTOR 13P (EX9/EX9T)	
SW477	1-771-410-21	SWITCH, TACTILE (DISC SKIP/EX-CHANGE)		CN011	1-568-830-11	CONNECTOR, FFC 11P	
SW478	1-771-410-21	SWITCH, TACTILE (▲)		CN012	1-819-138-11	PIN, CONNECTOR 10P (EX6/EX6T/EX8/EX8T)	
SW481	1-771-410-21	SWITCH, TACTILE (■)		< DIODE >			
SW482	1-771-410-21	SWITCH, TACTILE (TUNING + ▶▶▶ ▷▷▷)		D001	6-500-334-01	DIODE MC2836-T112-1	
SW483	1-771-410-21	SWITCH, TACTILE (REC TO USB)		D002	6-500-335-01	DIODE MC2838-T112-1	
SW484	1-771-410-21	SWITCH, TACTILE (ENTER)		D003	6-500-335-01	DIODE MC2838-T112-1	
SW485	1-771-410-21	SWITCH, TACTILE (DISC 1)		△ D010	6-502-994-01	DIODE D10XB60 F (EX9/EX9T)	
SW486	1-771-410-21	SWITCH, TACTILE (DISC 2)		D011	6-502-619-01	DIODE 1N5402-C532-2 (EX6/EX6T/EX8/EX8T)	
SW487	1-771-410-21	SWITCH, TACTILE (DISC 3)		D012	6-502-619-01	DIODE 1N5402-C532-2 (EX6/EX6T/EX8/EX8T)	
SW488	1-771-410-21	SWITCH, TACTILE (USB)		D013	6-502-619-01	DIODE 1N5402-C532-2 (EX6/EX6T/EX8/EX8T)	
SW489	1-771-410-21	SWITCH, TACTILE (CD)		D014	6-502-619-01	DIODE 1N5402-C532-2 (EX6/EX6T/EX8/EX8T)	
SW491	1-771-410-21	SWITCH, TACTILE (I/⌂)		D015	6-501-582-01	DIODE 1N4002-A2	
SW492	1-771-410-21	SWITCH, TACTILE (DISPLAY)		D016	6-501-582-01	DIODE 1N4002-A2	
< VIBRATOR >				D017	6-501-582-01	DIODE 1N4002-A2 (EX8/EX8T/EX9/EX9T)	
X301	1-814-067-11	OSCILLATOR, CRYSTAL (32.768kHz)		D018	6-501-582-01	DIODE 1N4002-A2 (EX8/EX8T/EX9/EX9T)	
X302	1-813-548-31	VIBRATOR, CERAMIC (6MHz)		D019	6-500-335-01	DIODE MC2838-T112-1	
*****				D020	6-500-334-01	DIODE MC2836-T112-1	
PT-POWER BOARD				D021	6-501-817-01	DIODE MA2J1110GLS0	
*****				D022	6-501-817-01	DIODE MA2J1110GLS0	
7-685-647-79	SCREW +BVTP 3X10 TYPE2 IT-3 (EX9/EX9T)			D023	6-500-335-01	DIODE MC2838-T112-1	
< CAPACITOR >				D024	6-501-817-01	DIODE MA2J1110GLS0	
C001	1-165-621-91	CERAMIC CHIP 0.1uF	50V	D050	6-502-161-01	DIODE RB055L-40TE25	
C005	1-126-962-11	ELECT 3.3uF 20%	50V	< IC >			
C006	1-164-227-11	CERAMIC CHIP 0.022uF 10%	25V	IC050	6-600-113-01	IC NJM2368V(TE2)	
C010	1-126-942-61	ELECT 1000uF 20%	25V	< COIL >			
C011	1-130-777-00	MYLAR 0.1uF 5%	100V	L050	1-456-467-11	COIL, CHOKE 100uH	
(EX8/EX8T/EX9/EX9T)				< TRANSFORMER >			
C011	1-136-165-00	FILM 0.1uF 5%	50V	△ PT001	1-445-105-11	TRANSFORMER, POWER (SUB)	
(EX6/EX6T)				< TRANSISTOR >			
C012	1-130-777-00	MYLAR 0.1uF 5%	100V	Q001	8-729-120-28	TRANSISTOR 2SC1623-L5L6	
(EX8/EX8T/EX9/EX9T)				Q011	8-729-120-28	TRANSISTOR 2SC1623-L5L6	
C012	1-136-165-00	FILM 0.1uF 5%	50V	Q012	8-729-120-28	TRANSISTOR 2SC1623-L5L6	
(EX6/EX6T)				Q013	6-551-696-01	TRANSISTOR ISA1235AC1TP-1EF	
C013	1-126-974-11	ELECT 3300uF 20%	50V	Q050	8-729-120-28	TRANSISTOR 2SC1623-L5L6	
(EX8/EX8T/EX9/EX9T)				Q051	8-729-040-76	TRANSISTOR KTA1273-Y-AT	
C013	1-128-550-11	ELECT 2200uF 20%	50V	Q052	8-729-040-76	TRANSISTOR KTA1273-Y-AT	
(EX6/EX6T)				Q053	8-729-120-28	TRANSISTOR 2SC1623-L5L6	
C014	1-126-974-11	ELECT 3300uF 20%	50V	Q054	6-551-696-01	TRANSISTOR ISA1235AC1TP-1EF	
(EX8/EX8T/EX9/EX9T)				< RESISTOR >			
C014	1-128-550-11	ELECT 2200uF 20%	50V	R001	1-216-842-11	METAL CHIP 56K 5%	1/10W
(EX6/EX6T)				R002	1-216-838-11	METAL CHIP 27K 5%	1/10W
C017	1-126-943-11	ELECT 2200uF 20%	25V	R003	1-216-825-11	METAL CHIP 2.2K 5%	1/10W
C018	1-126-963-11	ELECT 4.7uF 20%	50V	R004	1-216-821-11	METAL CHIP 1K 5%	1/10W
C019	1-125-837-91	CERAMIC CHIP 1uF 10%	6.3V	R005	1-216-829-11	METAL CHIP 4.7K 5%	1/10W
C020	1-125-837-91	CERAMIC CHIP 1uF 10%	6.3V	R006	1-216-833-11	METAL CHIP 10K 5%	1/10W
C021	1-127-715-11	CERAMIC CHIP 0.22uF 10%	16V	R009	1-216-864-11	SHORT CHIP 0	
C022	1-127-715-11	CERAMIC CHIP 0.22uF 10%	16V	R013	1-216-839-11	METAL CHIP 33K 5%	1/10W
C023	1-104-658-91	ELECT 100uF 20%	10V				
C050	1-126-964-11	ELECT 10uF 20%	50V				
C051	1-162-964-11	CERAMIC CHIP 0.001uF 10%	50V				
C053	1-126-935-11	ELECT 470uF 20%	16V				
C054	1-162-968-11	CERAMIC CHIP 0.0047uF 10%	50V				

HCD-EX6/EX6T/EX8/EX8T/EX9/EX9T

PT-POWER **REG** **USB**

Ref. No.	Part No.	Description	Remark
R014	1-216-828-11	METAL CHIP	3.9K 5% 1/10W (EX6/EX6T)
R014	1-216-833-11	METAL CHIP	10K 5% 1/10W (EX8/EX8T/EX9/EX9T)
R015	1-216-839-11	METAL CHIP	33K 5% 1/10W
R016	1-216-828-11	METAL CHIP	3.9K 5% 1/10W (EX6/EX6T)
R016	1-216-833-11	METAL CHIP	10K 5% 1/10W (EX8/EX8T/EX9/EX9T)
R017	1-216-833-11	METAL CHIP	10K 5% 1/10W
R018	1-216-833-11	METAL CHIP	10K 5% 1/10W
R019	1-216-833-11	METAL CHIP	10K 5% 1/10W
R020	1-216-833-11	METAL CHIP	10K 5% 1/10W
R021	1-216-829-11	METAL CHIP	4.7K 5% 1/10W
R022	1-216-829-11	METAL CHIP	4.7K 5% 1/10W
R023	1-216-809-11	METAL CHIP	100 5% 1/10W
R024	1-216-809-11	METAL CHIP	100 5% 1/10W
R025	1-216-833-11	METAL CHIP	10K 5% 1/10W
R026	1-216-833-11	METAL CHIP	10K 5% 1/10W
R027	1-216-829-11	METAL CHIP	4.7K 5% 1/10W
R028	1-216-829-11	METAL CHIP	4.7K 5% 1/10W
R029	1-216-829-11	METAL CHIP	4.7K 5% 1/10W
R030	1-216-829-11	METAL CHIP	4.7K 5% 1/10W
R031	1-216-825-11	METAL CHIP	2.2K 5% 1/10W
R032	1-216-841-11	METAL CHIP	47K 5% 1/10W
R033	1-216-845-11	METAL CHIP	100K 5% 1/10W
R034	1-216-849-11	METAL CHIP	220K 5% 1/10W
R035	1-216-833-11	METAL CHIP	10K 5% 1/10W
R036	1-216-833-11	METAL CHIP	10K 5% 1/10W
R037	1-216-841-11	METAL CHIP	47K 5% 1/10W
R038	1-216-837-11	METAL CHIP	22K 5% 1/10W
R039	1-216-829-11	METAL CHIP	4.7K 5% 1/10W
R050	1-216-833-11	METAL CHIP	10K 5% 1/10W
R051	1-216-848-11	METAL CHIP	180K 5% 1/10W
R052	1-216-851-11	METAL CHIP	330K 5% 1/10W
R053	1-216-841-11	METAL CHIP	47K 5% 1/10W
R054	1-216-833-11	METAL CHIP	10K 5% 1/10W
R055	1-216-845-11	METAL CHIP	100K 5% 1/10W
R057	1-216-817-11	METAL CHIP	470 5% 1/10W
R058	1-216-817-11	METAL CHIP	470 5% 1/10W
R059	1-216-827-11	METAL CHIP	3.3K 5% 1/10W
R060	1-216-827-11	METAL CHIP	3.3K 5% 1/10W
R061	1-216-827-11	METAL CHIP	3.3K 5% 1/10W
R062	1-216-827-11	METAL CHIP	3.3K 5% 1/10W
R063	1-216-829-11	METAL CHIP	4.7K 5% 1/10W
R064	1-216-818-11	METAL CHIP	560 5% 1/10W
R066	1-216-789-11	METAL CHIP	2.2 5% 1/10W
R067	1-216-789-11	METAL CHIP	2.2 5% 1/10W
R068	1-216-789-11	METAL CHIP	2.2 5% 1/10W
R069	1-216-789-11	METAL CHIP	2.2 5% 1/10W
R070	1-216-791-11	METAL CHIP	3.3 5% 1/10W
R071	1-216-845-11	METAL CHIP	100K 5% 1/10W
R072	1-216-833-11	METAL CHIP	10K 5% 1/10W
R073	1-216-833-11	METAL CHIP	10K 5% 1/10W
R074	1-216-843-11	METAL CHIP	68K 5% 1/10W
R075	1-216-821-11	METAL CHIP	1K 5% 1/10W
R076	1-216-817-11	METAL CHIP	470 5% 1/10W
R077	1-216-817-11	METAL CHIP	470 5% 1/10W
		< RELAY >	
△ RY001	1-755-334-11	RELAY, AC POWER (MX)	

Ref. No.	Part No.	Description	Remark
△ RY002	1-755-496-11	RELAY (EXCEPT MX)	
		< VOLTAGE SELECTOR >	
△ S001	1-786-408-11	SELECTOR, VOLTAGE (SWS-2301) (VOLTAGE SELECTOR) (E2,E4,E51)	

		REG BOARD	

		< CAPACITOR >	
C697	1-164-156-11	CERAMIC CHIP 0.1uF	25V
C698	1-164-156-11	CERAMIC CHIP 0.1uF	25V
		< IC >	
IC690	6-713-032-01	IC KIA7809API-U/PF	

		USB BOARD	

		< CAPACITOR >	
C900	1-117-681-11	ELECT CHIP 100uF	20% 16V
C901	1-107-826-11	CERAMIC CHIP 0.1uF	10% 16V
C902	1-162-919-11	CERAMIC CHIP 22PF	5% 50V
C903	1-162-919-11	CERAMIC CHIP 22PF	5% 50V
C904	1-162-970-11	CERAMIC CHIP 0.01uF	10% 25V
C905	1-162-927-11	CERAMIC CHIP 100PF	5% 50V
C906	1-162-927-11	CERAMIC CHIP 100PF	5% 50V
C907	1-162-927-11	CERAMIC CHIP 100PF	5% 50V
C908	1-162-927-11	CERAMIC CHIP 100PF	5% 50V
C909	1-164-156-11	CERAMIC CHIP 0.1uF	25V
C915	1-162-923-11	CERAMIC CHIP 47PF	5% 50V
C916	1-162-923-11	CERAMIC CHIP 47PF	5% 50V
C917	1-162-923-11	CERAMIC CHIP 47PF	5% 50V
C918	1-162-923-11	CERAMIC CHIP 47PF	5% 50V
C919	1-162-923-11	CERAMIC CHIP 47PF	5% 50V
C920	1-162-923-11	CERAMIC CHIP 47PF	5% 50V
C921	1-162-927-11	CERAMIC CHIP 100PF	5% 50V
C950	1-107-826-11	CERAMIC CHIP 0.1uF	10% 16V
C951	1-162-910-11	CERAMIC CHIP 5PF	0.25PF 50V
C952	1-162-910-11	CERAMIC CHIP 5PF	0.25PF 50V
C953	1-164-156-11	CERAMIC CHIP 0.1uF	25V
C954	1-126-601-11	ELECT CHIP 2.2uF	20% 50V
C955	1-165-884-11	CERAMIC CHIP 2.2uF	10% 6.3V
		< CONNECTOR >	
CN901	1-784-382-51	CONNECTOR, FFC/FPC 25P	
CN902	1-784-382-51	CONNECTOR, FFC/FPC 25P	
CN903	1-764-250-11	PIN, CONNECTOR (PC BOARD) 4P	
CN910	1-784-366-51	CONNECTOR, FFC/FPC 7P	
		< IC >	
IC901	A-1768-193-A	IC LC87F1JJ2AU-SQFP-H (for SERVICE)	
		< RESISTOR >	
R900	1-216-864-11	SHORT CHIP	0
R901	1-216-809-11	METAL CHIP	100 5% 1/10W
R902	1-216-809-11	METAL CHIP	100 5% 1/10W
R903	1-216-857-11	METAL CHIP	1M 5% 1/10W
R904	1-216-864-11	SHORT CHIP	0

Ref. No.	Part No.	Description			Remark	Ref. No.	Part No.	Description			Remark	
R905	1-216-809-11	METAL CHIP	100	5%	1/10W			MISCELLANEOUS				
R906	1-216-809-11	METAL CHIP	100	5%	1/10W			*****				
R907	1-216-809-11	METAL CHIP	100	5%	1/10W							
R908	1-216-809-11	METAL CHIP	100	5%	1/10W							
R909	1-216-809-11	METAL CHIP	100	5%	1/10W							
R910	1-216-845-11	METAL CHIP	100K	5%	1/10W							
R911	1-216-809-11	METAL CHIP	100	5%	1/10W							
R912	1-216-845-11	METAL CHIP	100K	5%	1/10W							
R913	1-216-809-11	METAL CHIP	100	5%	1/10W							
R914	1-216-845-11	METAL CHIP	100K	5%	1/10W							
R915	1-216-809-11	METAL CHIP	100	5%	1/10W							
R916	1-216-809-11	METAL CHIP	100	5%	1/10W							
R917	1-216-809-11	METAL CHIP	100	5%	1/10W							
R918	1-216-805-11	METAL CHIP	47	5%	1/10W							
R919	1-216-805-11	METAL CHIP	47	5%	1/10W							
R920	1-216-805-11	METAL CHIP	47	5%	1/10W							
R921	1-216-809-11	METAL CHIP	100	5%	1/10W							
R922	1-216-809-11	METAL CHIP	100	5%	1/10W							
R923	1-216-809-11	METAL CHIP	100	5%	1/10W							
R924	1-216-809-11	METAL CHIP	100	5%	1/10W							
R951	1-216-835-11	METAL CHIP	15K	5%	1/10W							
R952	1-216-835-11	METAL CHIP	15K	5%	1/10W							
R953	1-216-803-11	METAL CHIP	33	5%	1/10W							
R954	1-216-803-11	METAL CHIP	33	5%	1/10W							
R955	1-216-864-11	SHORT CHIP	0									
		< VIBRATOR >										
X901	1-814-365-11	QUARTZ CRYSTAL UNITS (12MHz)										

		USB-JACK BOARD										

		< CAPACITOR >										
C550	1-164-156-11	CERAMIC CHIP	0.1uF		25V							
C551	1-162-964-11	CERAMIC CHIP	0.001uF	10%	50V							
C552	1-162-964-11	CERAMIC CHIP	0.001uF	10%	50V							
C561	1-126-923-91	ELECT	220uF	20%	10V							
C565	1-165-908-11	CERAMIC CHIP	1uF	10%	10V							
		< CONNECTOR >										
CN551	1-784-770-11	CONNECTOR, FFC 9P										
CN560	1-794-548-21	CONNECTOR, USB (A) 4P (USB)										
		< DIODE >										
D551	6-500-848-01	DIODE MC2840-T112-1										
		< JUMPER RESISTOR >										
FB561	1-216-295-91	SHORT CHIP		0								
FB562	1-216-295-91	SHORT CHIP		0								
		< JACK >										
J551	1-815-629-21	JACK (PHONES)										
J552	1-566-822-51	JACK (PC IN)										
		< RESISTOR >										
R550	1-216-864-11	SHORT CHIP		0								
R551	1-216-837-11	METAL CHIP	22K	5%	1/10W							
R552	1-216-837-11	METAL CHIP	22K	5%	1/10W							
R561	1-216-789-11	METAL CHIP	2.2	5%	1/10W							
R562	1-216-789-11	METAL CHIP	2.2	5%	1/10W							

		MISCELLANEOUS										

52	1-832-817-21	CABLE, FLEXIBLE FLAT (9 CORE)										
65	1-832-634-21	CABLE, FLEXIBLE FLAT (25 CORE)										
66	1-838-042-21	CABLE, FLEXIBLE FLAT (19 CORE)										
		(EX6/EX8/EX9)										
66	1-838-070-21	CABLE, FLEXIBLE FLAT (21 CORE)										
		(EX6T/EX8T/EX9T)										
67	1-831-928-21	CABLE, FLEXIBLE FLAT (11 CORE)										
101	1-797-575-11	DECK, MECHANICAL (CS-21SC-901TP)										
		(EX6T/EX8T/EX9T)										
101	A-1527-851-A	TCM-J1 (tape mechanism deck)										
		(EX6T/EX8T/EX9T)										
105	1-832-814-21	CABLE, FLEXIBLE FLAT (9 CORE)										
		(EX6T/EX8T/EX9T)										
151	1-838-040-21	CABLE, FLEXIBLE FLAT (25 CORE)										
152	1-832-837-21	CABLE, FLEXIBLE FLAT (13 CORE)										
△ 156	1-834-966-41	CORD, POWER-SUPPLY (E2,E4,E51)										
△ 156	1-837-312-11	CORD, POWER-SUPPLY (AR)										
△ 156	1-837-344-11	CORD, POWER-SUPPLY (MX)										
△ 157	1-569-008-33	ADAPTOR, CONVERSION (E2,E4,E51)										
251	1-840-387-11	MECHANICAL, CD										
256	1-834-268-21	WIRE (FLAT TYPE) (16 CORE)										
△ 259	A-1780-028-A	OPTICAL PICK-UP (DA11MMVGP)										
FAN901	1-787-344-11	FAN, DC										
△ PT004	1-445-346-11	TRANSFORMER, POWER (MAIN) (EX6/EX6T)										
△ PT005	1-445-568-11	TRANSFORMER, POWER (MAIN)										
		(EX8:E2,E51,AR/EX8T)										
△ PT005	1-445-571-11	TRANSFORMER, POWER (MAIN) (EX8:MX)										
△ PT005	1-445-941-11	TRANSFORMER, POWER (MAIN) (EX9:MX)										
△ PT005	1-445-942-11	TRANSFORMER, POWER (MAIN)										
		(EX9:E2,E51,AR/EX9T)										
S001	1-771-853-11	SWITCH, DETECTION (LIMIT)										

