

HCD-ZUX999

SERVICE MANUAL

E Model

Ver. 1.0 2009.07



- HCD-ZUX999 is the tuner, CD, USB and amplifier section in FST-ZUX999.

- “WALKMAN” and “WALKMAN” logo are registered trademarks of Sony Corporation.
- “Memory Stick” is a trademark of Sony Corporation.
- MPEG Layer-3 audio coding technology and patents licensed from Fraunhofer IIS and Thomson.
- Windows Media is a registered trademark of Microsoft Corporation in the United States and/or other countries.

Model Name Using Similar Mechanism	New
Mechanism Type	CDM74KF-F2BD82F-A
Base Unit Name	BU-F2BD82F-A
Optical Pick-up Name	KSM-215DHAP

SPECIFICATIONS

Amplifier section

The following measured at AC 127 V, 60 Hz (Mexican model)

The following measured at AC 120, 220, 240 V, 50/60 Hz (Other models)

Front/Rear speaker:

Power output (rated):

160 W + 160 W (at 6 Ω , 1 kHz, 1% THD)

RMS output power (reference):

250 W + 250 W/250 W + 250 W (per channel at 6 Ω , 1 kHz, 10% THD)

Inputs

AUDIO IN 1, 2 L/R:

voltage 250 – 700 mV, impedance 47 kilohms

MIC: sensitivity 1 mV, impedance 10 kilohms

Outputs

⌚ (Headphones):

accepts headphones with an impedance of 8 Ω or more

FRONT/REAR SPEAKER:

Use only the supplied speaker SS-ZUX999

USB section

Supported bit rate:

MP3 (MPEG 1 Audio Layer-3):
32 – 320 kbps, VBR
WMA: 48 – 192 kbps, VBR
AAC: 48 – 320 kbps

Sampling frequencies:

MP3 (MPEG 1 Audio Layer-3):
32/44.1/48 kHz
WMA: 44.1 kHz
AAC: 44.1 kHz

⚡ (USB 1 and USB 2) port: Type A
Maximum current: 500 mA

CD player section

System:

Compact disc and digital audio system

Laser Diode Properties

Emission duration: Continuous

Laser Output*: Less than 44.6 μ W

* This output is the value measurement at a distance of 200mm from the objective lens surface on the Optical Pick-up Block with 7mm aperture.

Frequency response:

20 Hz – 20 kHz

Tuner section

FM stereo, FM/AM superheterodyne tuner

Antenna:

FM lead antenna

AM loop antenna

– Continued on next page –

9-889-579-01

2009G04-1

© 2009.07

Sony Corporation

Audio&Video Business Group

Published by Sony Techno Create Corporation

COMPACT DISC RECEIVER

SONY[®]

FM tuner section:

Tuning range:

87.5 – 108.0 MHz (50 kHz step)

Intermediate frequency: 10.7 MHz

AM tuner section:

Tuning range:

Latin American models:

530 – 1,710 kHz (10 kHz step)

531 – 1,710 kHz (9 kHz step)

Other models:

531 – 1,602 kHz (9 kHz step)

530 – 1,610 kHz (10 kHz step)

Intermediate frequency: 450 kHz

General

Power requirements

Mexican model:

AC 127 V, 60 Hz

Other models:

AC 120, 220 or 230 – 240 V,

50/60 Hz, adjustable with voltage

selector

Power consumption

330 W

Dimensions (w/h/d) (excl. speakers)

Approx. 506 × 342 × 513 mm

Mass (excl. speakers)

Approx. 20.0 kg

Supplied accessories: Remote Commander

(1), R6 (Size AA) batteries (2), FM lead

antenna (1), AM loop antenna (1), Speaker

cords (4)

Design and specifications are subject to change without notice.

NOTES ON CHIP COMPONENT REPLACEMENT

- Never reuse a disconnected chip component.
- Notice that the minus side of a tantalum capacitor may be damaged by heat.

FLEXIBLE CIRCUIT BOARD REPAIRING

- Keep the temperature of soldering iron around 270 °C during repairing.
- Do not touch the soldering iron on the same conductor of the circuit board (within 3 times).
- Be careful not to apply force on the conductor when soldering or unsoldering.

UNLEADED SOLDER

Boards requiring use of unleaded solder are printed with the lead-free mark (LF) indicating the solder contains no lead.

(Caution: Some printed circuit boards may not come printed with the lead free mark due to their particular size)

: LEAD FREE MARK

Unleaded solder has the following characteristics.

- Unleaded solder melts at a temperature about 40 °C higher than ordinary solder.
Ordinary soldering irons can be used but the iron tip has to be applied to the solder joint for a slightly longer time.
Soldering irons using a temperature regulator should be set to about 350 °C.
Caution: The printed pattern (copper foil) may peel away if the heated tip is applied for too long, so be careful!
- Strong viscosity
Unleaded solder is more viscous (sticky, less prone to flow) than ordinary solder so use caution not to let solder bridges occur such as on IC pins, etc.
- Usable with ordinary solder
It is best to use only unleaded solder but unleaded solder may also be added to ordinary solder.

SAFETY-RELATED COMPONENT WARNING!

COMPONENTS IDENTIFIED BY MARK \triangle OR DOTTED LINE WITH MARK \triangle ON THE SCHEMATIC DIAGRAMS AND IN THE PARTS LIST ARE CRITICAL TO SAFE OPERATION. REPLACE THESE COMPONENTS WITH SONY PARTS WHOSE PART NUMBERS APPEAR AS SHOWN IN THIS MANUAL OR IN SUPPLEMENTS PUBLISHED BY SONY.

CAUTION

Use of controls or adjustments or performance of procedures other than those specified herein may result in hazardous radiation exposure.

NOTES ON HANDLING THE OPTICAL PICK-UP BLOCK OR BASE UNIT

The laser diode in the optical pick-up block may suffer electrostatic break-down because of the potential difference generated by the charged electrostatic load, etc. on clothing and the human body. During repair, pay attention to electrostatic break-down and also use the procedure in the printed matter which is included in the repair parts.

The flexible board is easily damaged and should be handled with care.

NOTES ON LASER DIODE EMISSION CHECK

The laser beam on this model is concentrated so as to be focused on the disc reflective surface by the objective lens in the optical pickup block. Therefore, when checking the laser diode emission, observe from more than 30 cm away from the objective lens.

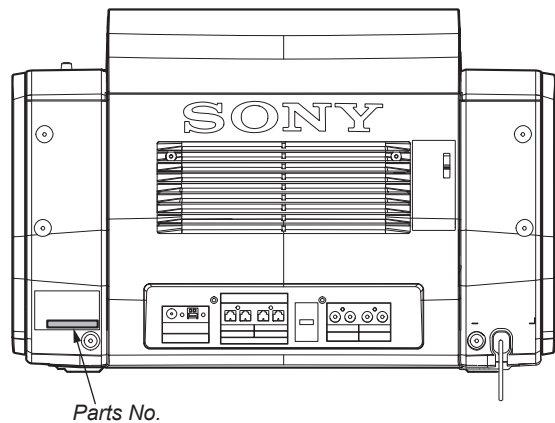
Laser component in this product is capable of emitting radiation exceeding the limit for Class 1.



This appliance is classified as a CLASS 1 LASER product. This marking is located on the rear exterior.

MODEL IDENTIFICATION

– Model Number Label –



Model	Part No.
E2, E51 model	4-152-900-0□
E3 model	4-152-901-0□
MX model	4-152-903-0□

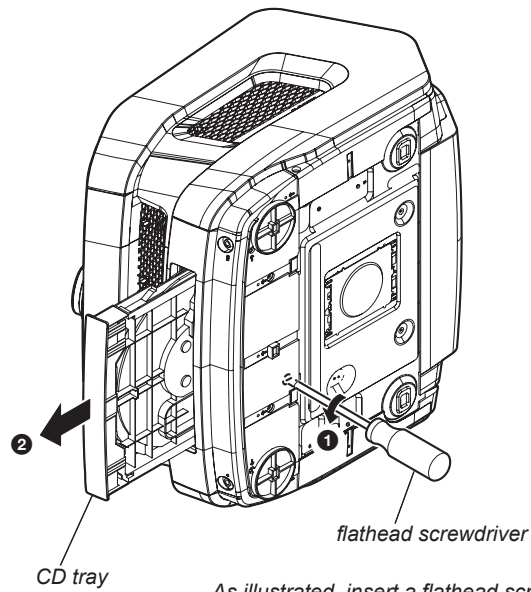
- Abbreviation
- E2 : 120V AC area in E model
- E3 : 240V AC area in E model
- E51 : Chilean and Peruvian models
- MX : Mexican model

TABLE OF CONTENTS

1. SERVICING NOTES	5	5-14. Schematic Diagram –Main Section (3/4)–.....	44
2. DISASSEMBLY		5-15. Schematic Diagram –Main Section (4/4)–.....	45
2-1. Loading Panel	10	5-16. Schematic Diagram –USB Section–.....	46
2-2. Back Panel	10	5-17. Printed Wiring Boards –SH-TAS, USB Section (1/2)– ..	47
2-3. Top Panel Section	11	5-18. Printed Wiring Board –SH-TAS Section (2/2)–.....	48
2-4. Side Panel (L) Assy, Side Panel (R) Assy.....	11	5-19. Schematic Diagram –SH-TAS Section (1/5)–	49
2-5. Front Panel Section.....	12	5-20. Schematic Diagram –SH-TAS Section (2/5)–	50
2-6. MAIN Board.....	12	5-21. Schematic Diagram –SH-TAS Section (3/5)–	51
2-7. CD Mechanism Deck.....	13	5-22. Schematic Diagram –SH-TAS Section (4/5)–	52
2-8. REGULATOR Board.....	13	5-23. Schematic Diagram –SH-TAS Section (5/5)–	53
2-9. PT Board, SUB PT Board.....	14	5-24. Printed Wiring Board –AMP Section–.....	54
2-10. AMP Board, DC FAN (FAN903).....	14	5-25. Schematic Diagram –AMP Section–	55
2-11. SPEAKER TERMINAL Board	15	5-26. Printed Wiring Boards	
2-12. X-ROUND JOG Board.....	15	–Headphone, Speaker Terminal Section–.....	56
2-13. RIGHT ENTER Board, LEFT ENTER Board.....	16	5-27. Schematic Diagram	
2-14. SH-TAS Board	16	–Headphone, Speaker Terminal Section–	57
2-15. PANEL FUNCTION Board.....	17	5-28. Printed Wiring Board –Panel Function Section–	58
2-16. LF-TUBE Board, CROSS FADER Board.....	17	5-29. Schematic Diagram –Panel Function Section (1/2)–	59
2-17. Brackets	18	5-30. Schematic Diagram –Panel Function Section (2/2)–	60
2-18. MASTER VOLUME Board	18	5-31. Printed Wiring Boards –Left/Right Enter,	
2-19. LEFT PANEL Board, USB-A Board	19	Left/Right Panel, L-Shape Illumination-A/B Section–...	61
2-20. RIGHT PANEL Board, USB-B Board.....	19	5-32. Schematic Diagram	
2-21. BOTTOM SIRCS Board, OPEN/CLOSE KEY Board,		–Left/Right Enter, Left/Right Panel Section–.....	62
DISC FUNCTION Board	20	5-33. Schematic Diagram	
2-22. MICROPHONE Board, HEADPHONE Board	20	–L-Shape Illumination-A/B Section–	63
2-23. Base Unit.....	21	5-34. Printed Wiring Boards –Cross Fader, Master Volume,	
2-24. BD Board.....	21	X-Round Jog Section–	64
2-25. DRIVER Board, SW Board	22	5-35. Schematic Diagram –Cross Fader, Master Volume,	
2-26. SENSOR Board	22	X-Round Jog Section–	65
2-27. MOTOR (TB) Board.....	23	5-36. Printed Wiring Boards	
2-28. MOTOR (LD) Board	23	–Bottom Sircs, FL-Tube, Microphone Section–.....	66
3. TEST MODE	24	5-37. Schematic Diagram	
4. ELECTRICAL CHECKS	27	–Bottom Sircs, FL-Tube, Microphone Section–.....	67
5. DIAGRAMS		5-38. Printed Wiring Boards	
5-1. Block Diagram –CD Servo Section–	30	–Disc Function, Open/Close Key, Regulator Section–...	68
5-2. Block Diagram –Audio Section–.....	31	5-39. Schematic Diagram	
5-3. Block Diagram –USB Section–	32	–Disc Function, Open/Close Key, Regulator Section–...	69
5-4. Block Diagram –AMP Section–	33	5-40. Printed Wiring Board –Power Section–.....	70
5-5. Block Diagram –Panel Section–	34	5-41. Schematic Diagram –Power Section–.....	71
5-6. Block Diagram –Power Section–.....	35	6. EXPLODED VIEWS	
5-7. Printed Wiring Boards –Driver Section–	37	6-1. Overall Section	88
5-8. Schematic Diagram –Driver Section–	38	6-2. Front Panel Section	89
5-9. Printed Wiring Board –BD Section–	39	6-3. Top Panel Section-1	90
5-10. Schematic Diagram –BD Section–	40	6-4. Top Panel Section-2	91
5-11. Printed Wiring Board –Main Section–.....	41	6-5. Top Panel Section-3	92
5-12. Schematic Diagram –Main Section (1/4)–.....	42	6-6. Chassis Section	93
5-13. Schematic Diagram –Main Section (2/4)–.....	43	6-7. CD Mechanism Deck Section-1	94
		6-8. CD Mechanism Deck Section-2	95
		7. ELECTRICAL PARTS LIST	96

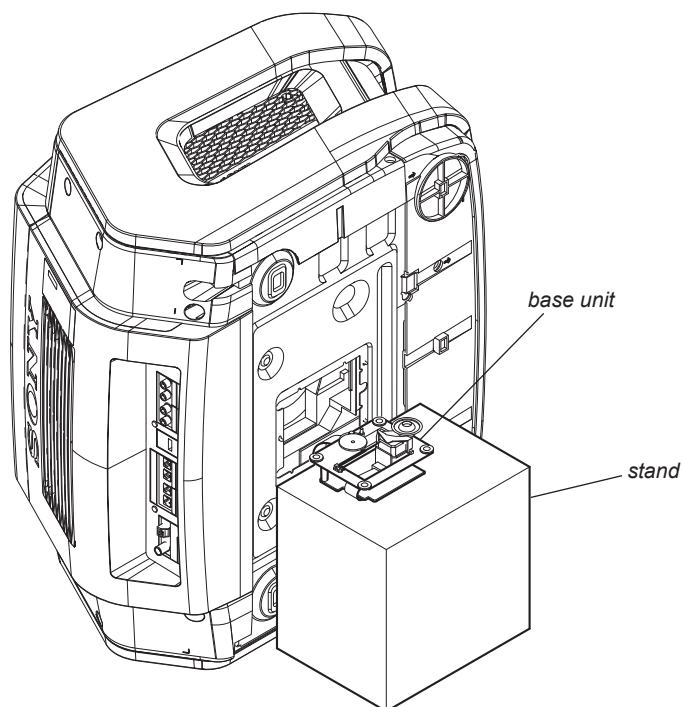
SECTION 1 SERVICING NOTES

1. MANUALLY OPENING THE CD TRAY

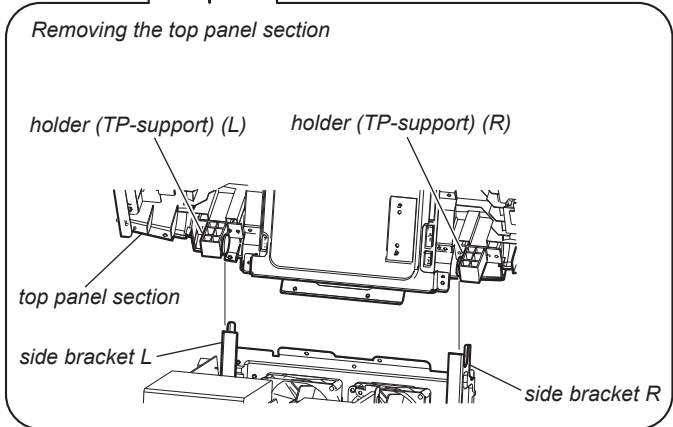
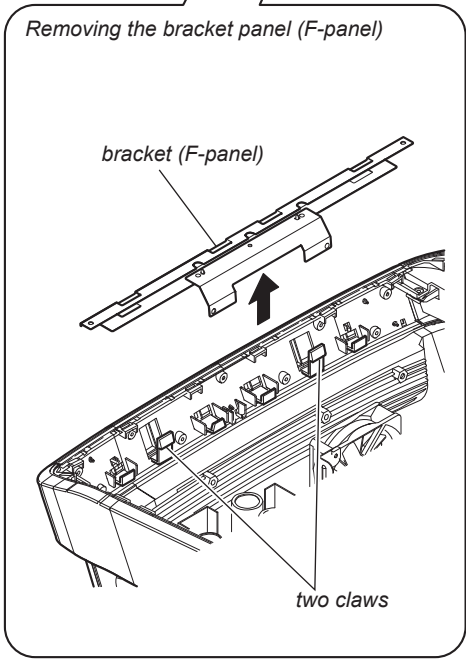
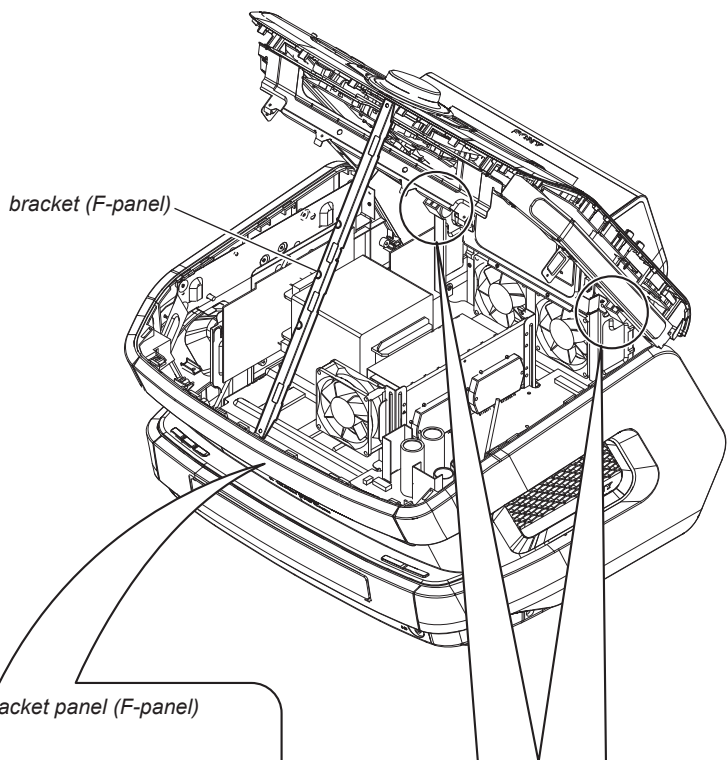


As illustrated, insert a flathead screwdriver and give a turn to the left to put the tray out.

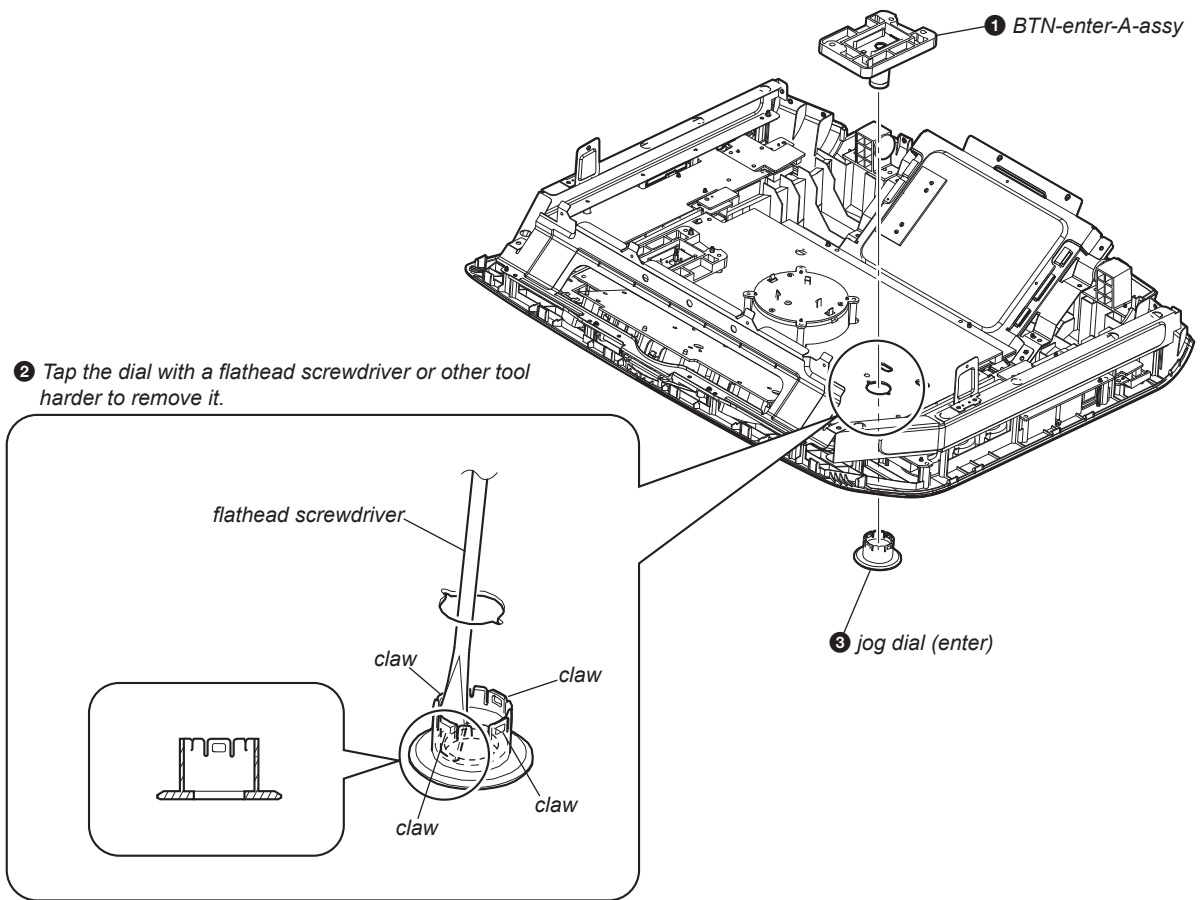
2. SERVICE POSITION OF THE BASE UNIT



3. SERVICE POSITION OF THE WHOLE PLAYER

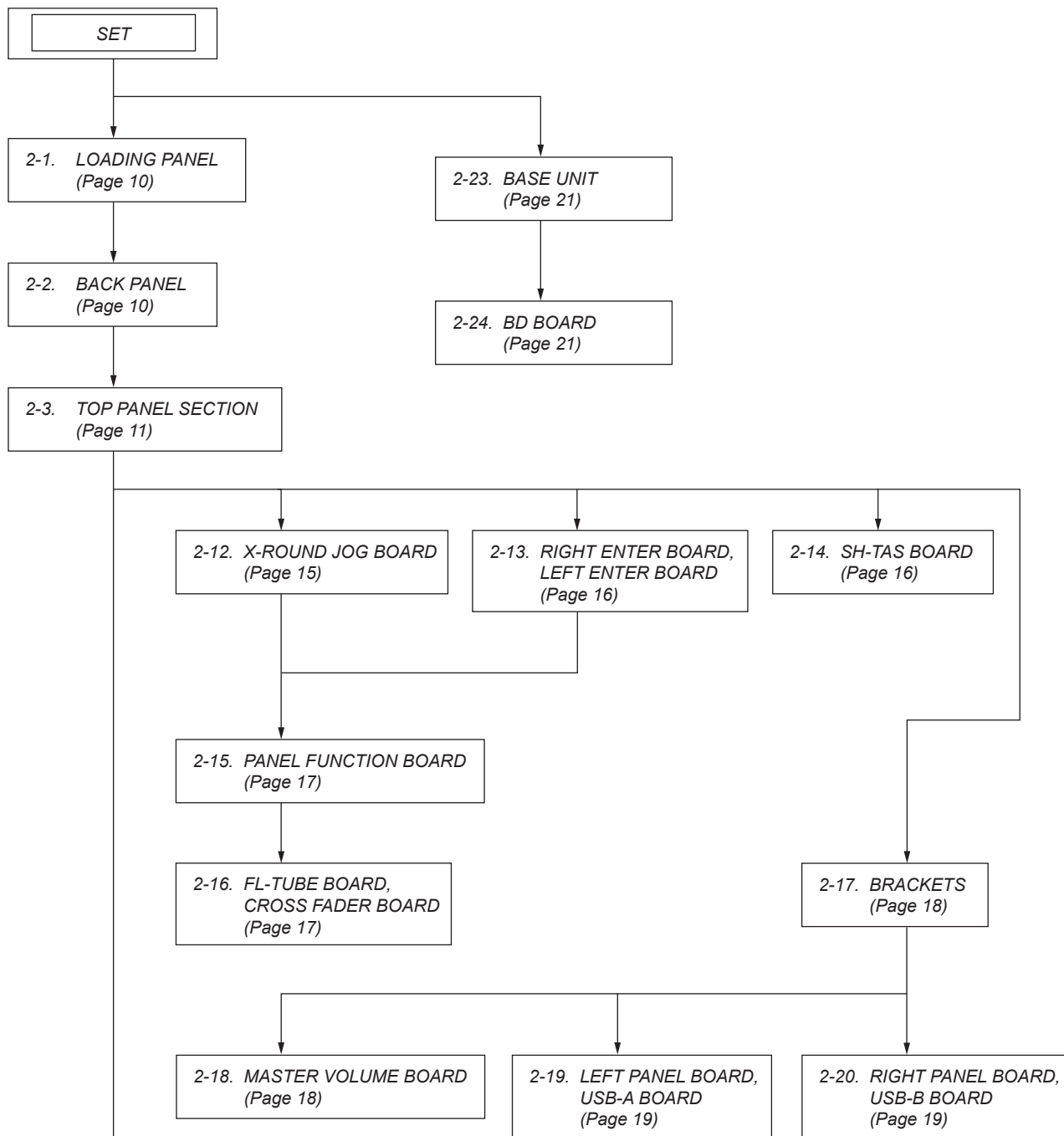


4. REMOVING THE JOG DIAL (ENTER)



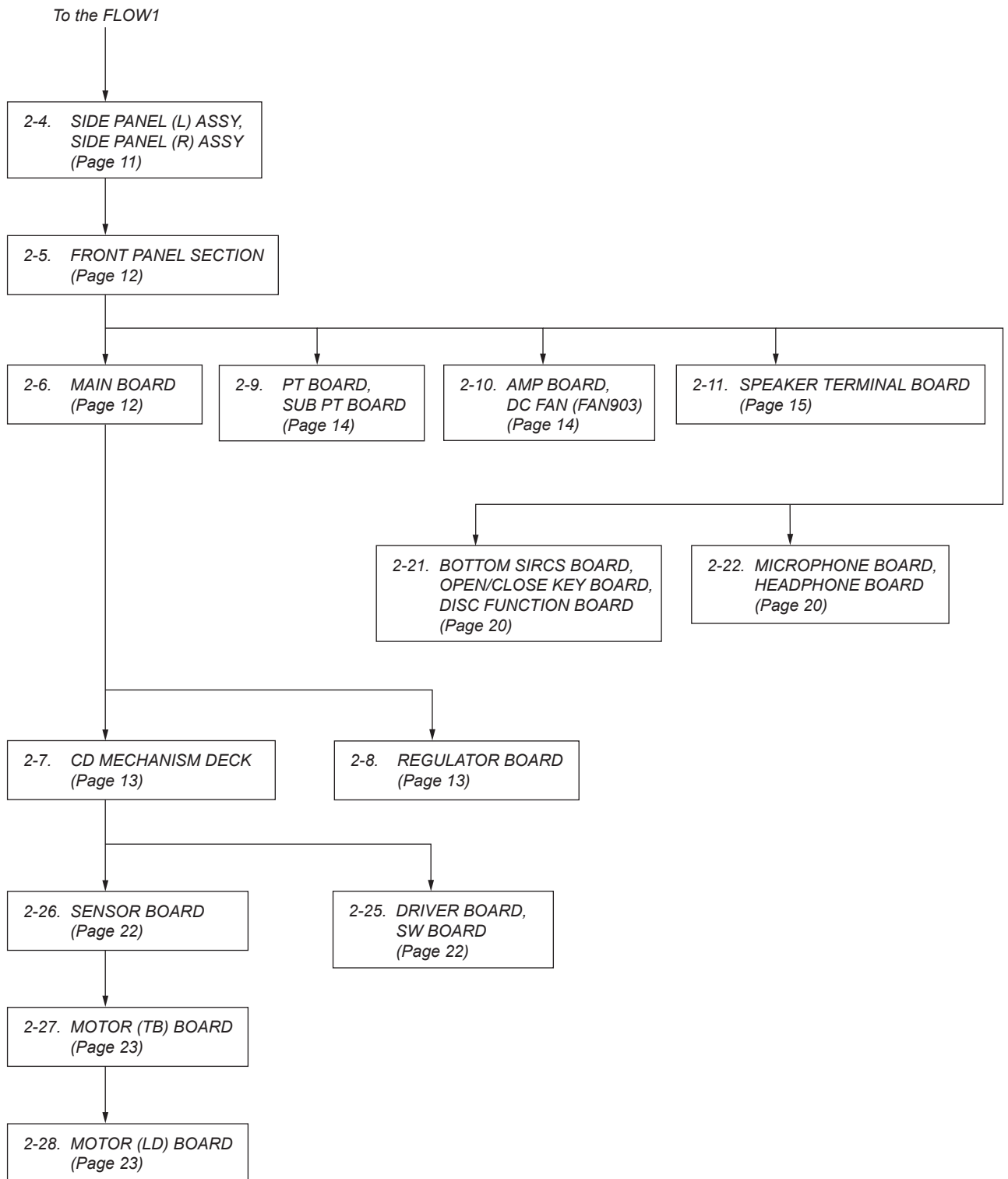
SECTION 2 DISASSEMBLY

- This set can be disassembled in the order shown below.



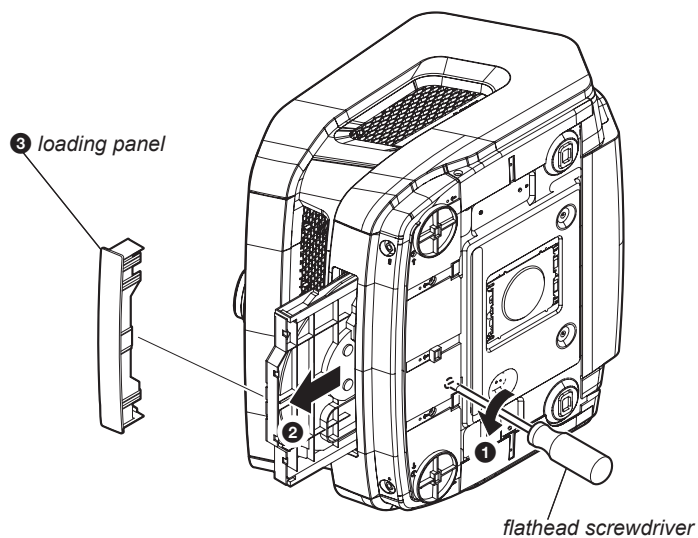
Continued on the FLOW2

- This set can be disassembled in the order shown below.



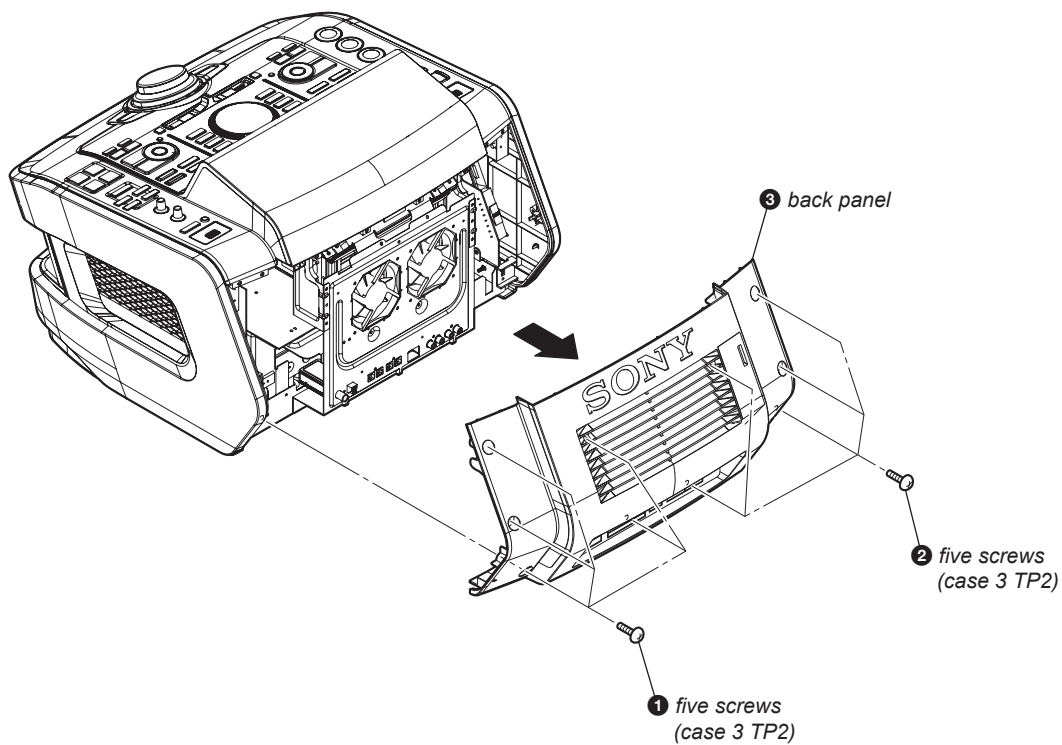
Note: Follow the disassembly procedure in the numerical order given.

2-1. LOADING PANEL

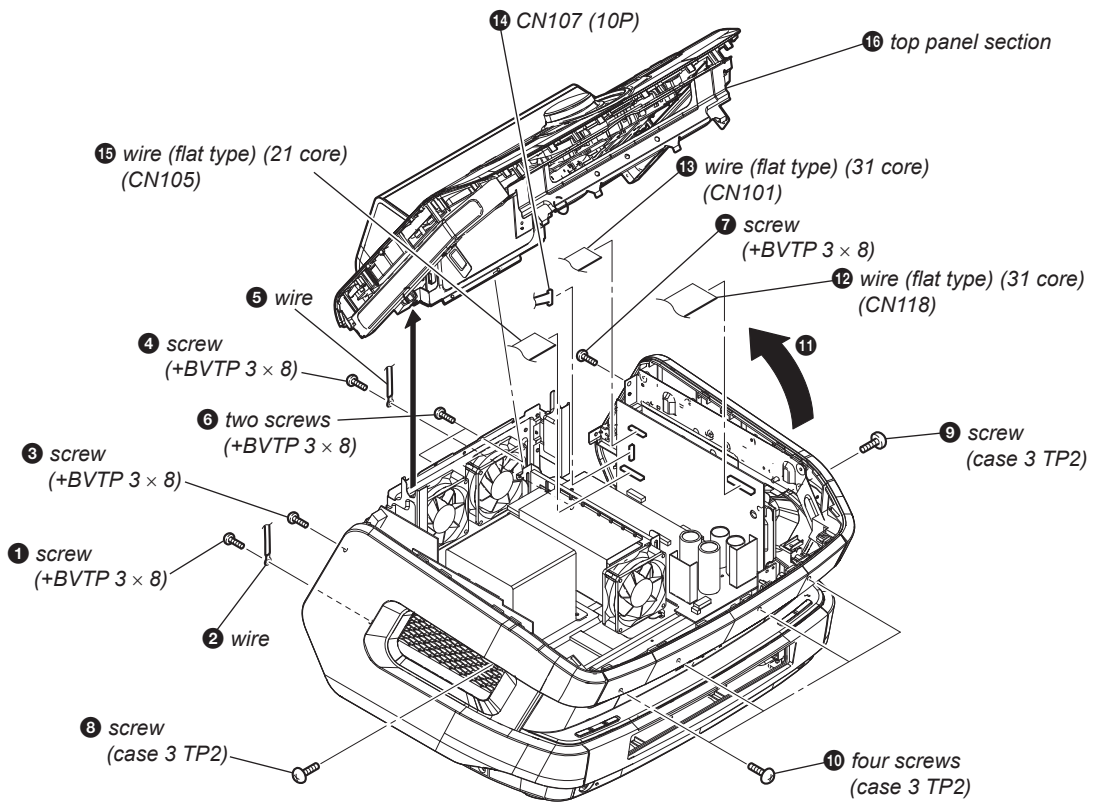


As illustrated, insert a flathead screwdriver and give a turn to the left to put the tray out.

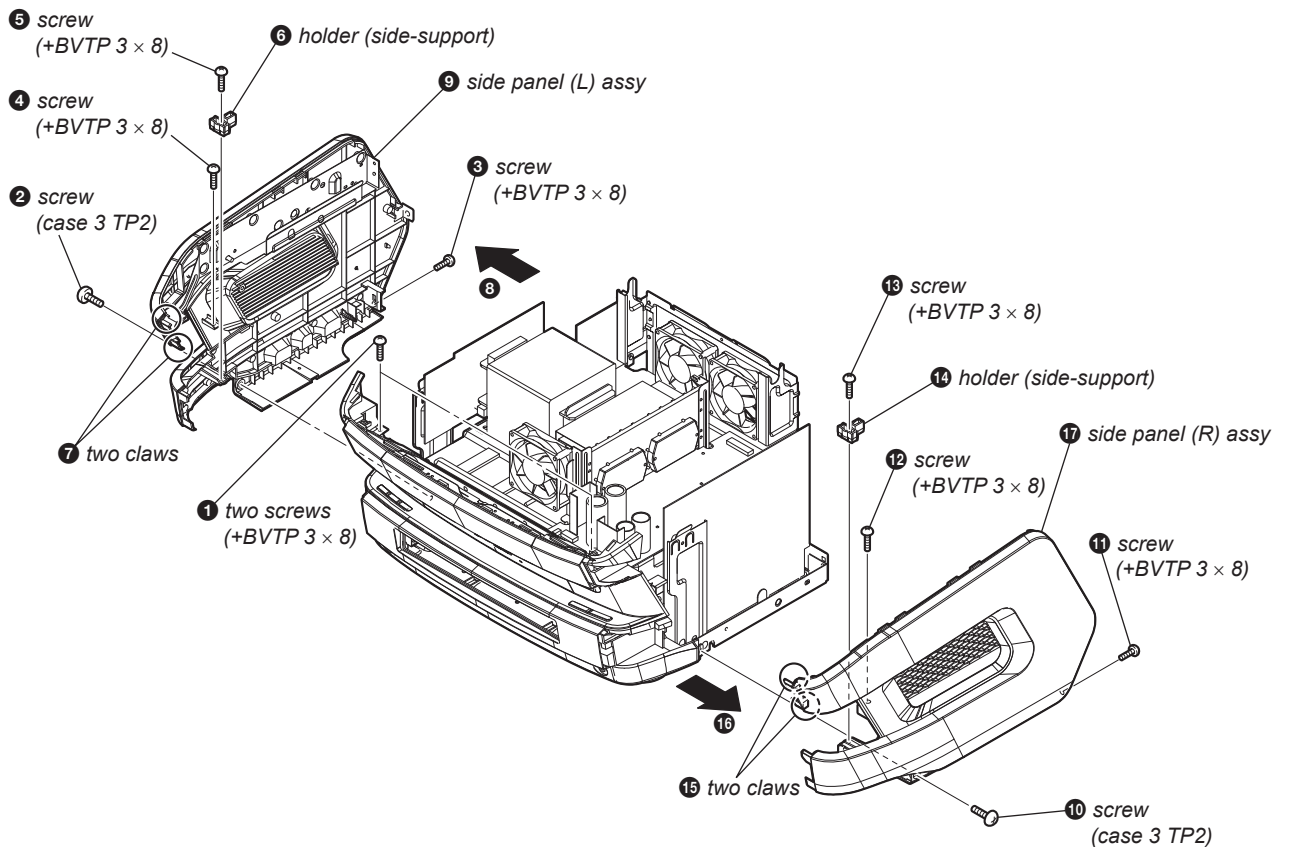
2-2. BACK PANEL



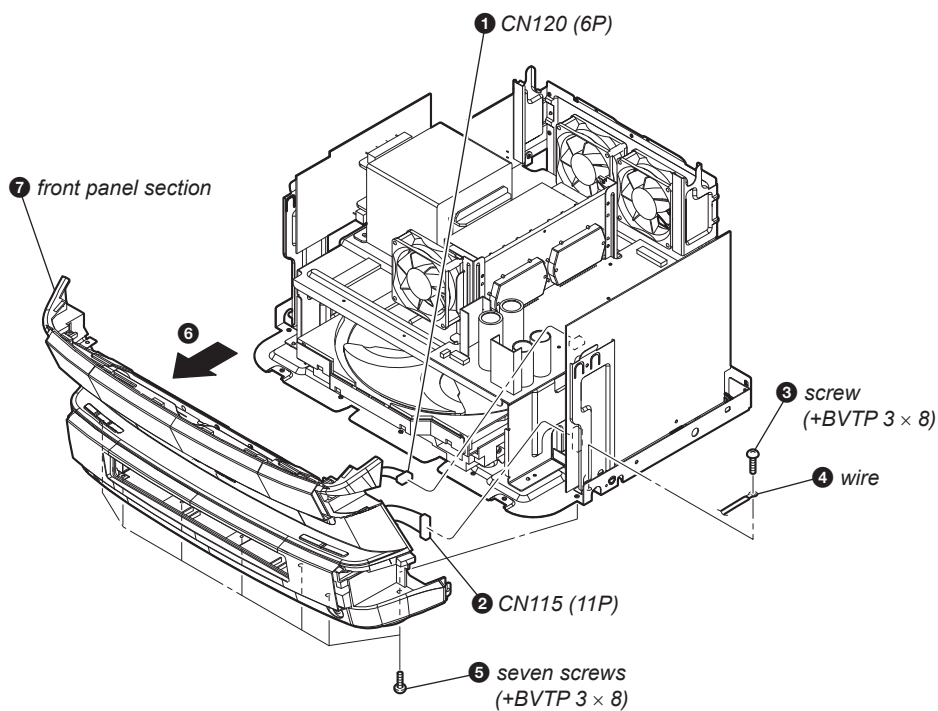
2-3. TOP PANEL SECTION



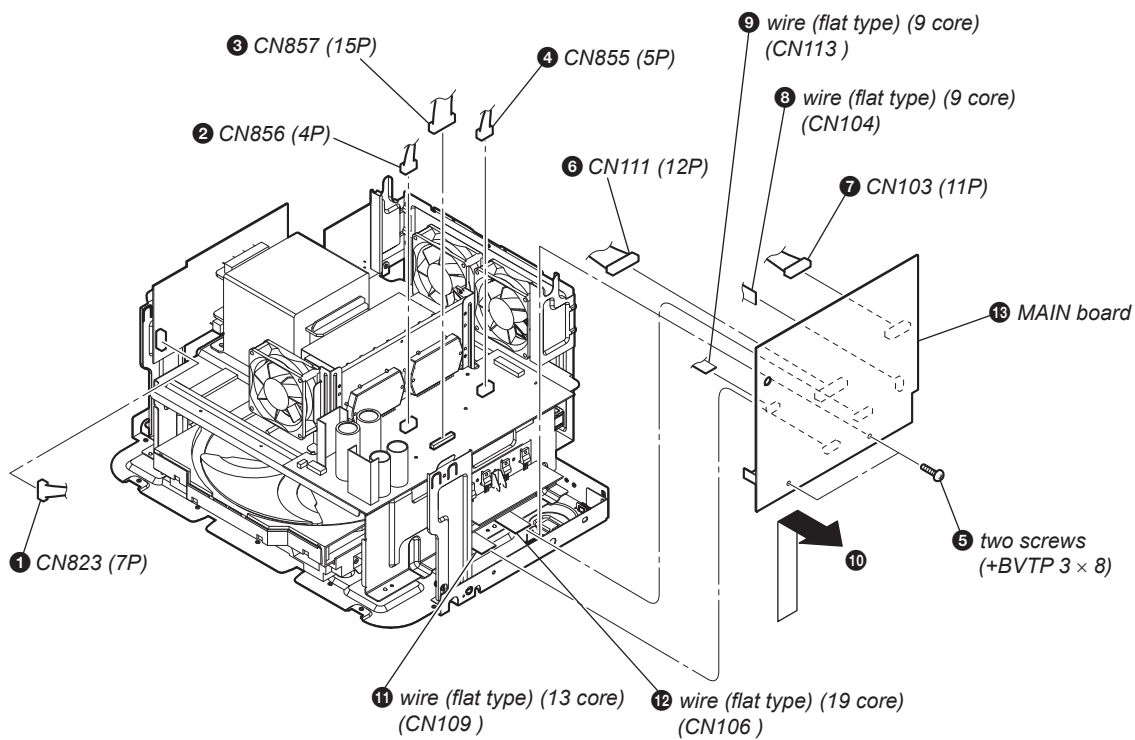
2-4. SIDE PANEL (L) ASSY, SIDE PANEL (R) ASSY



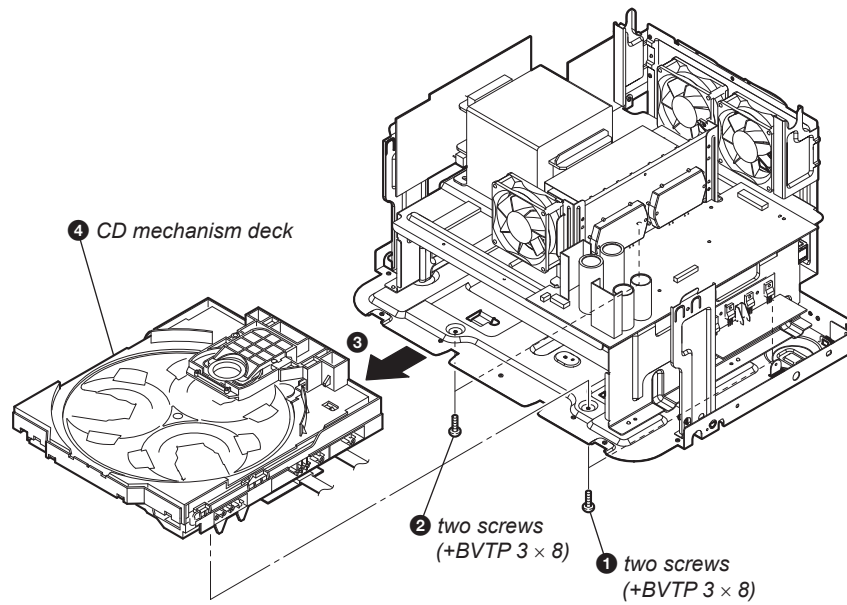
2-5. FRONT PANEL SECTION



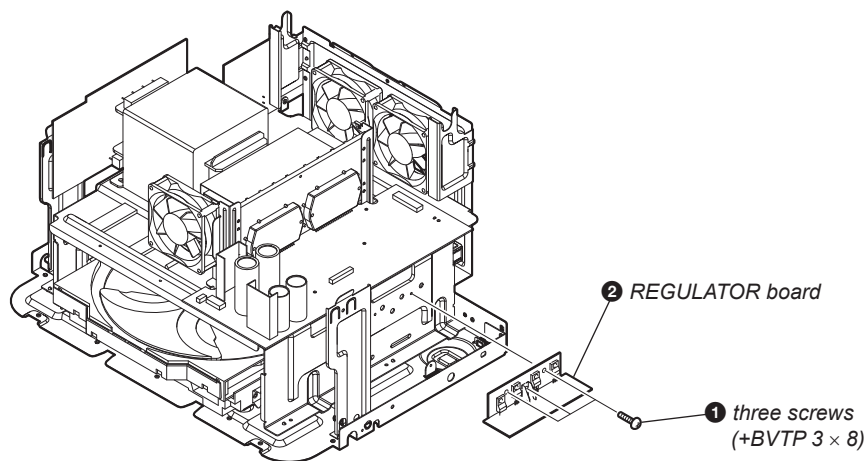
2-6. MAIN BOARD



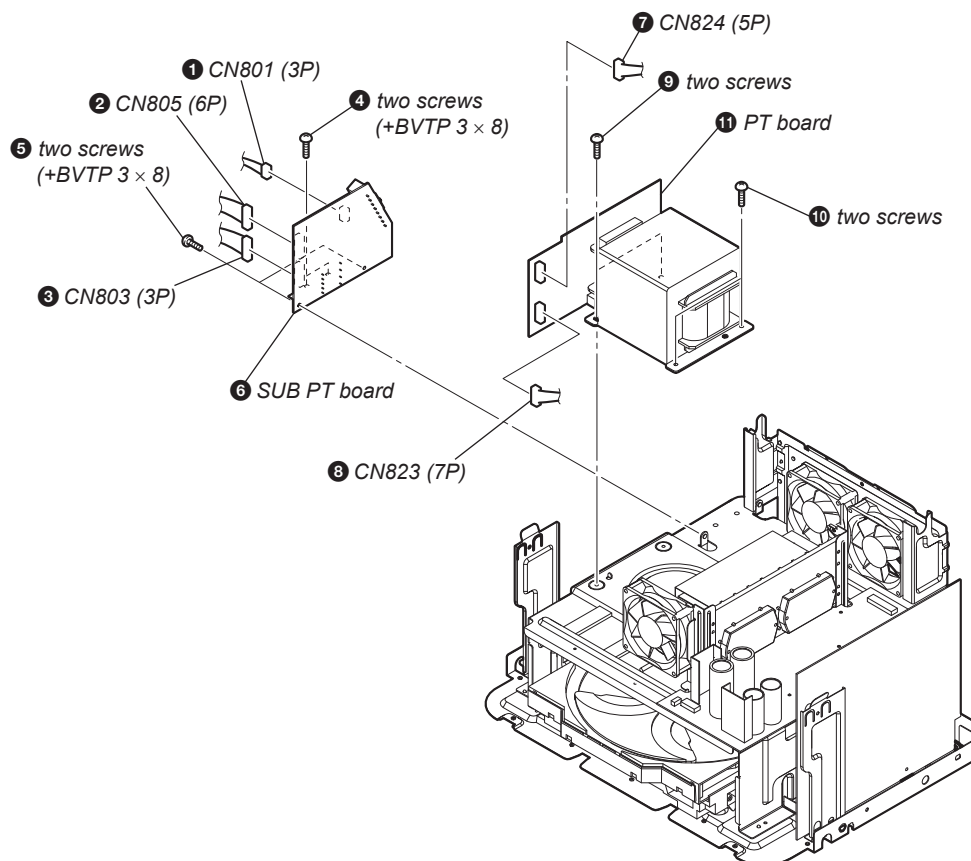
2-7. CD MECHANISM DECK



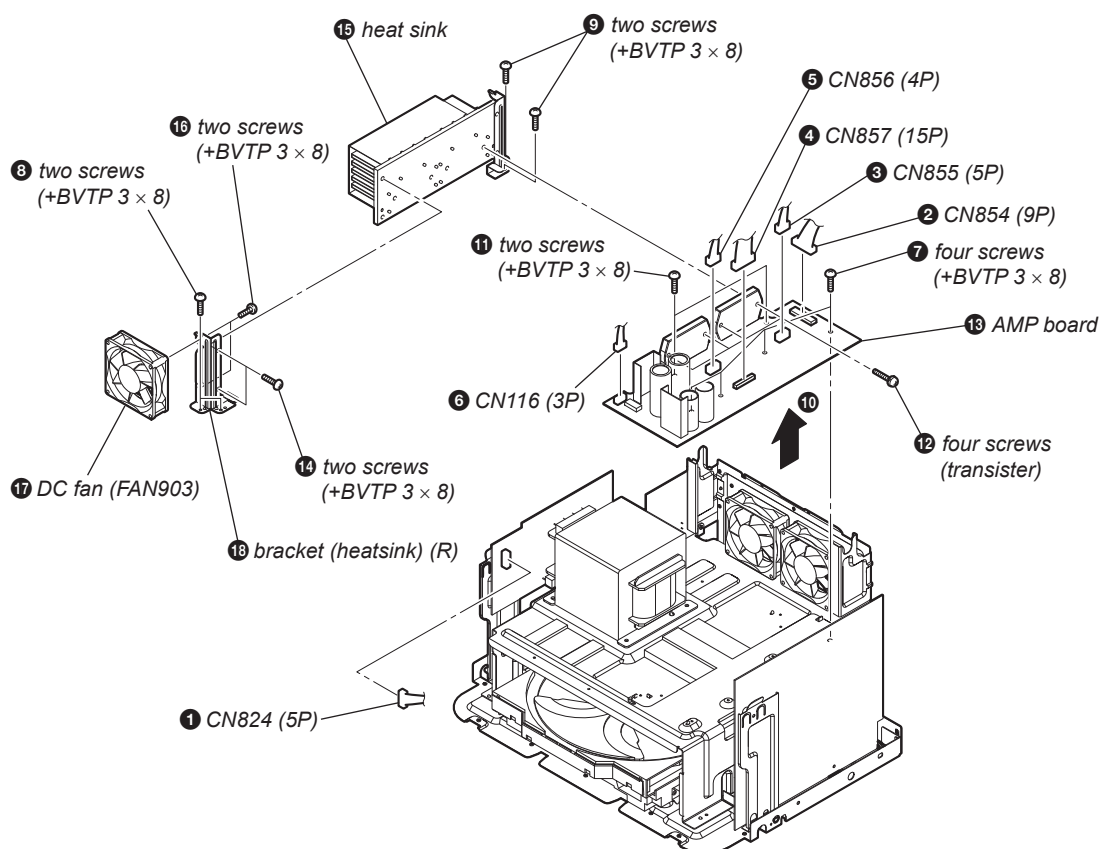
2-8. REGULATOR BOARD



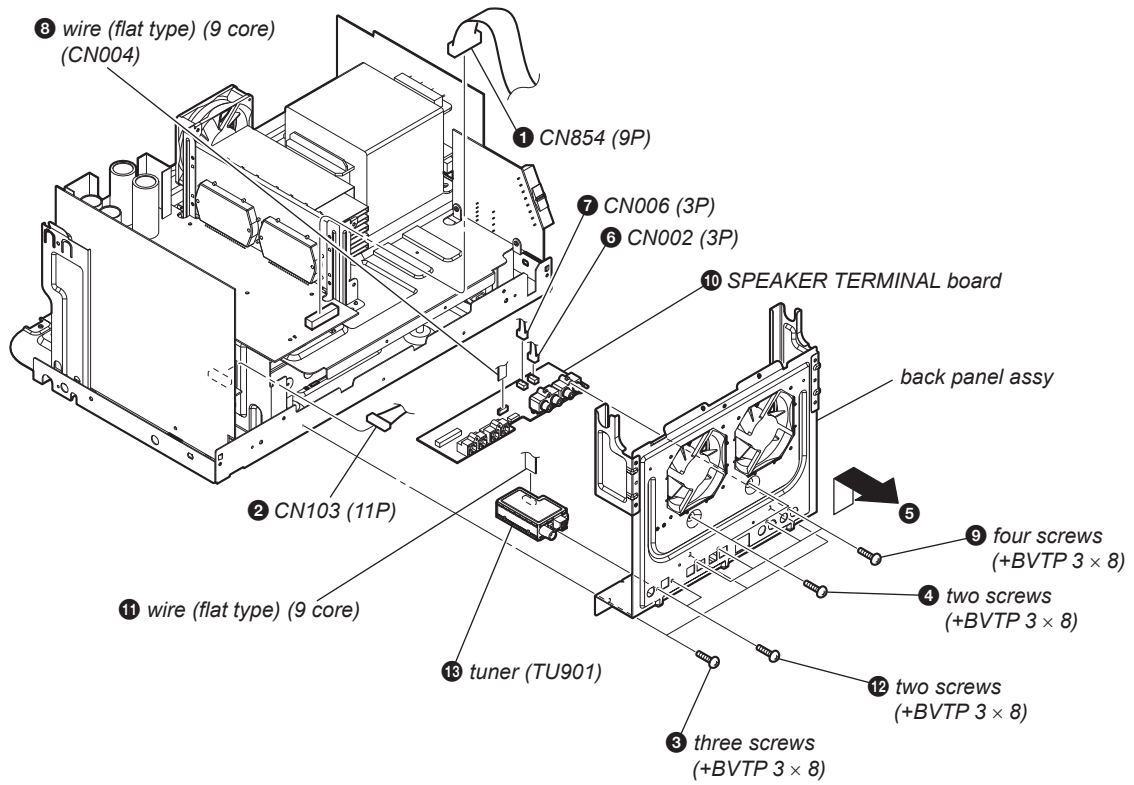
2-9. PT BOARD, SUB PT BOARD



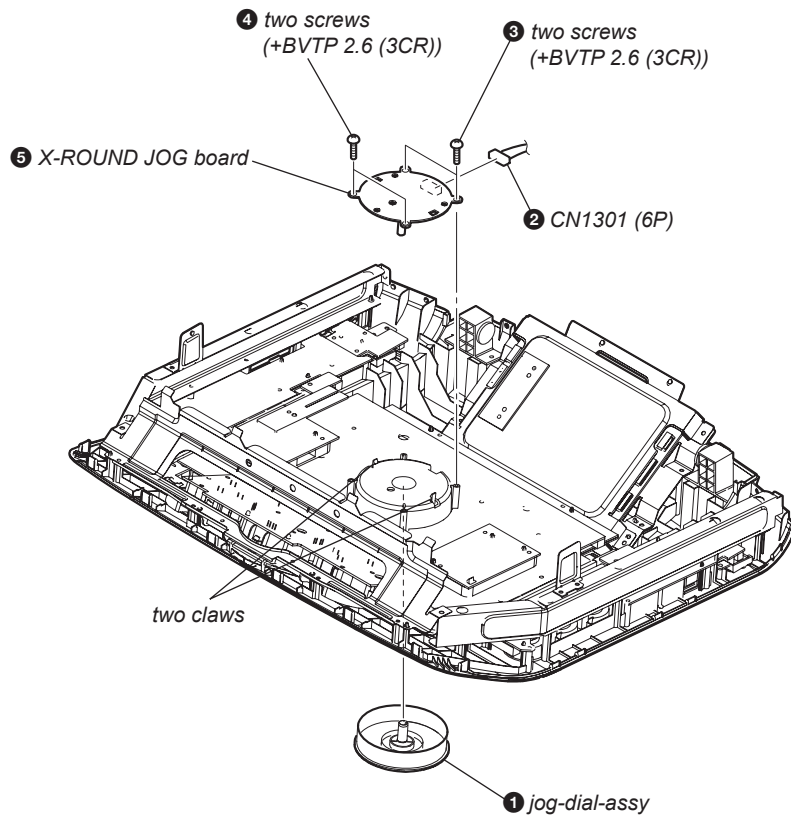
2-10. AMP BOARD, DC FAN (FAN903)



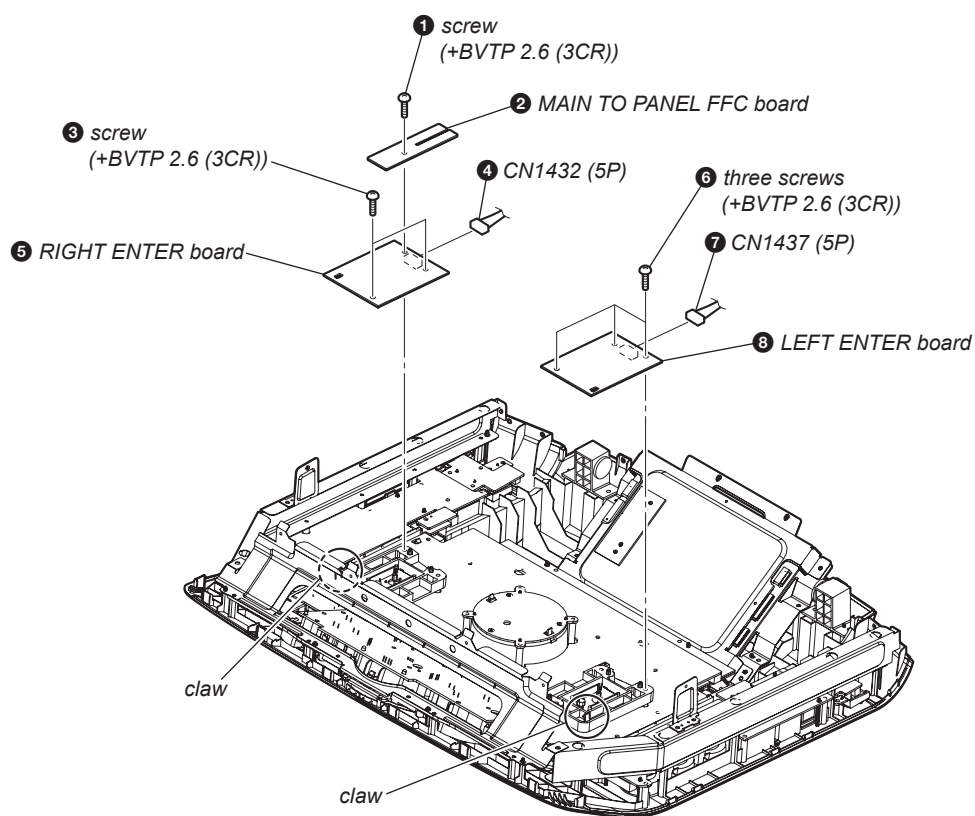
2-11. SPEAKER TERMINAL BOARD



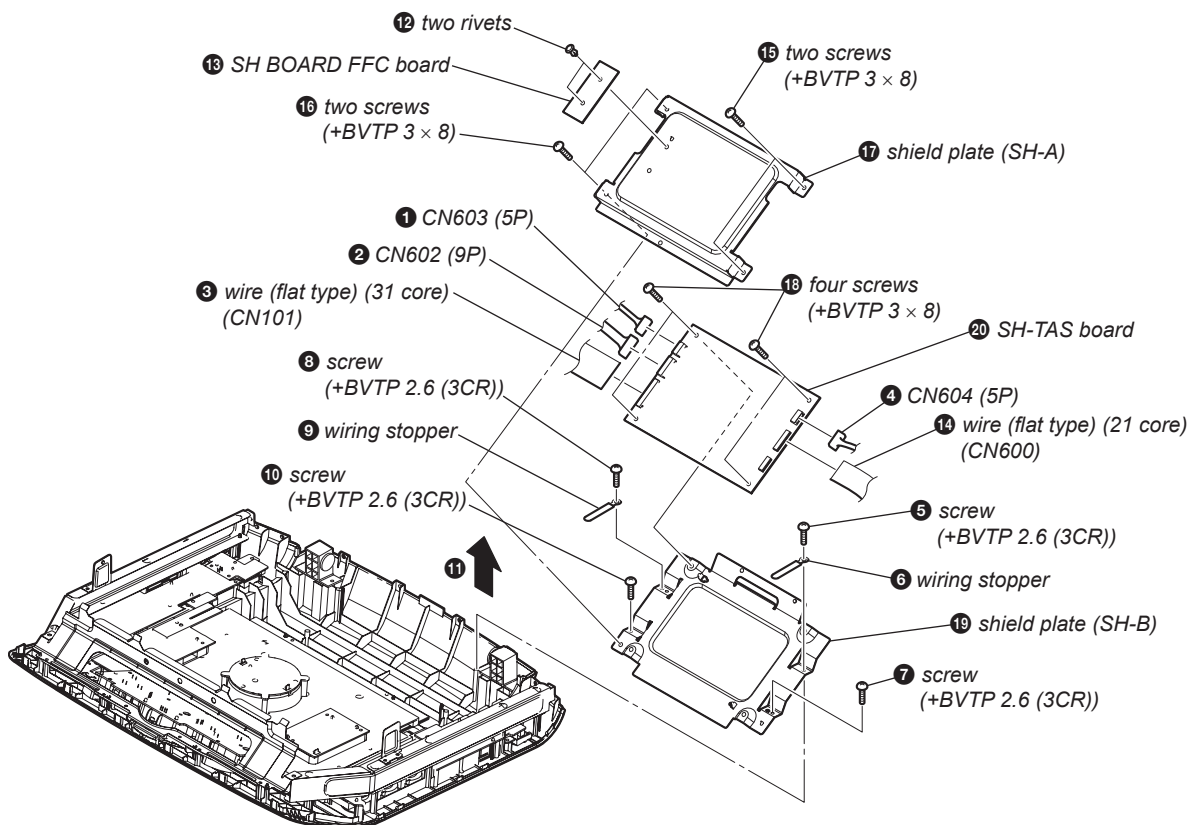
2-12. X-ROUND JOG BOARD



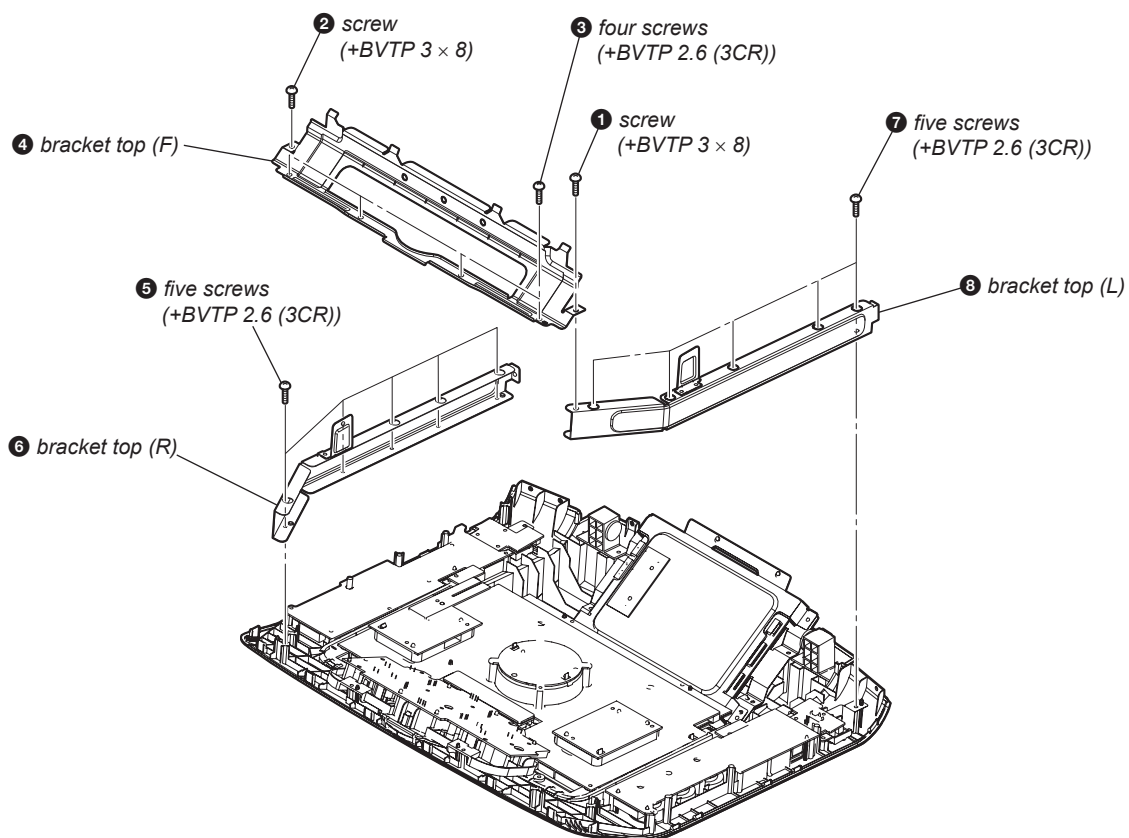
2-13. RIGHT ENTER BOARD, LEFT ENTER BOARD



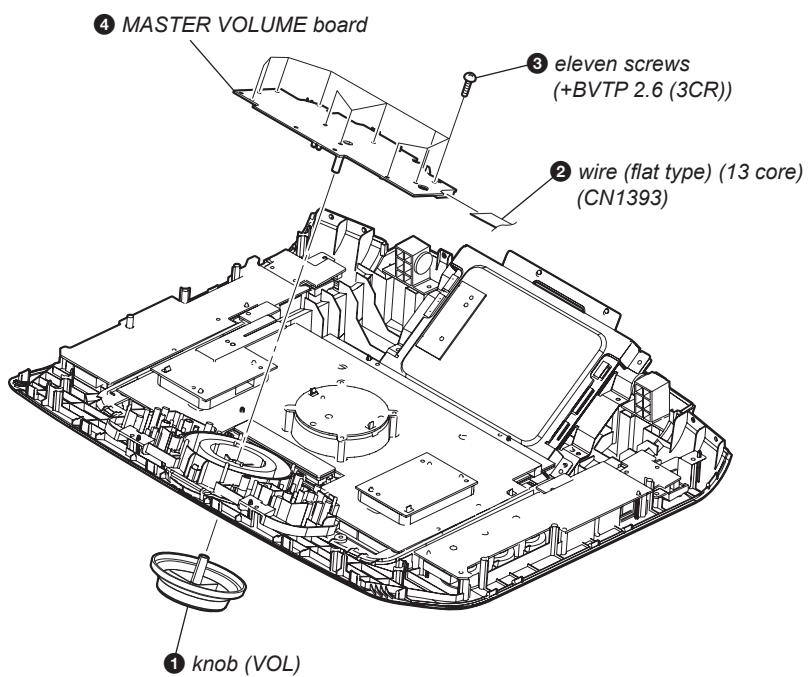
2-14. SH-TAS BOARD



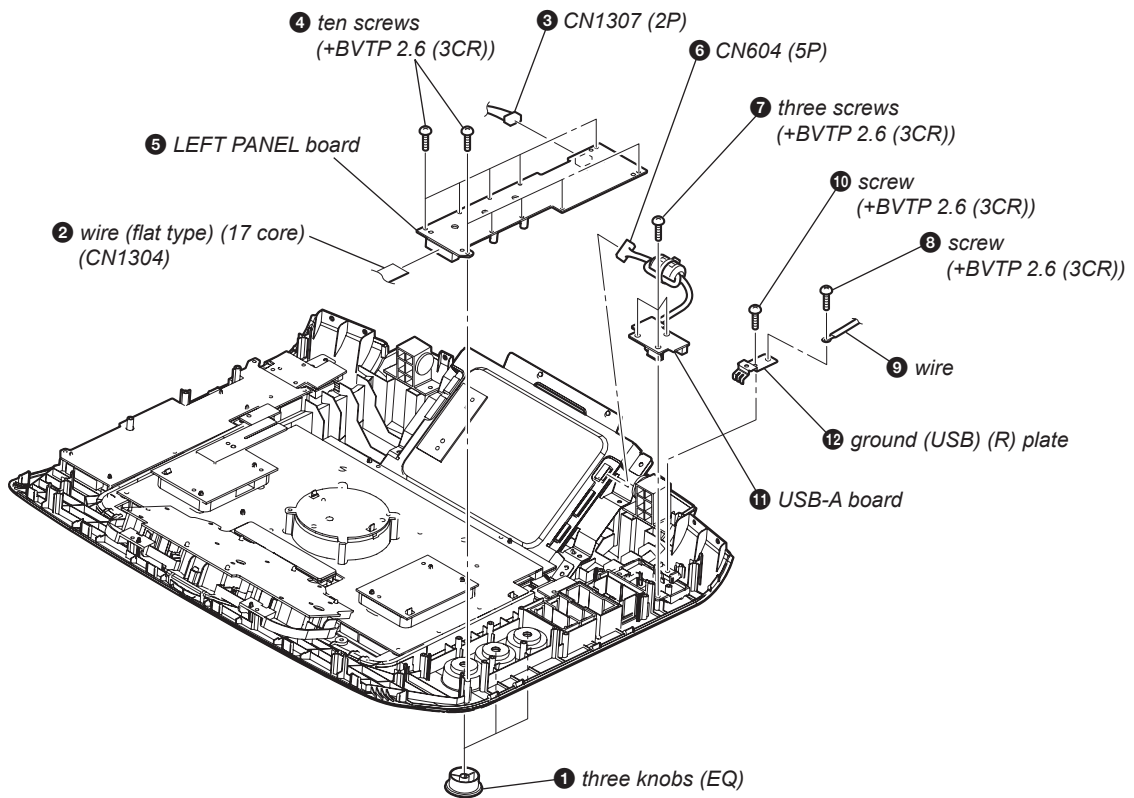
2-17. BRACKETS



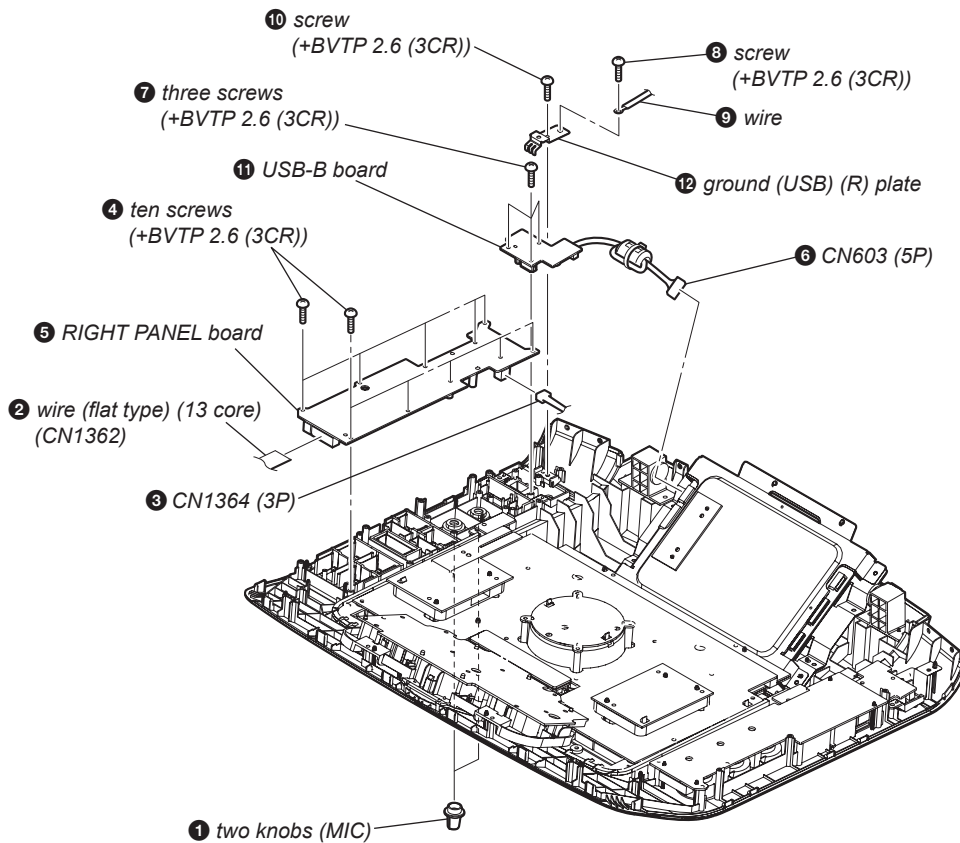
2-18. MASTER VOLUME BOARD



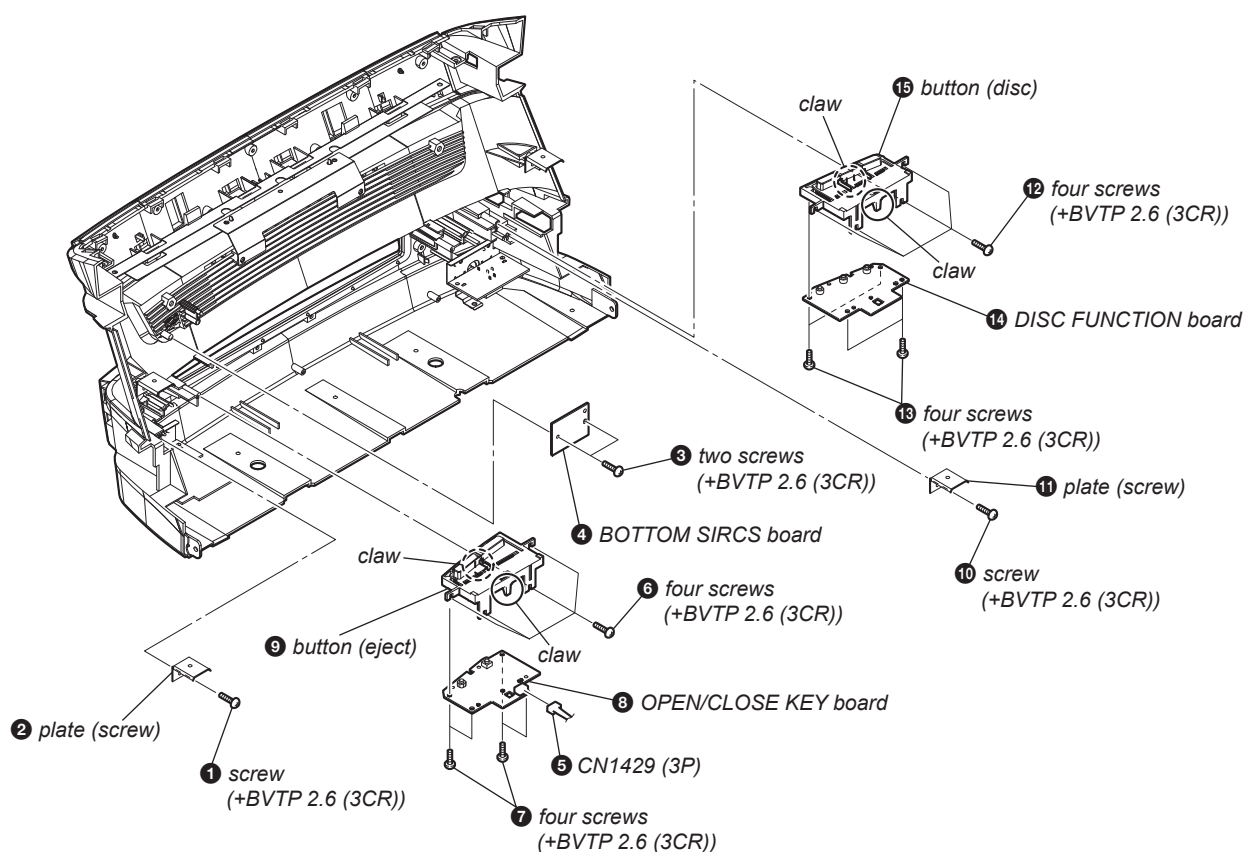
2-19. LEFT PANEL BOARD, USB-A BOARD



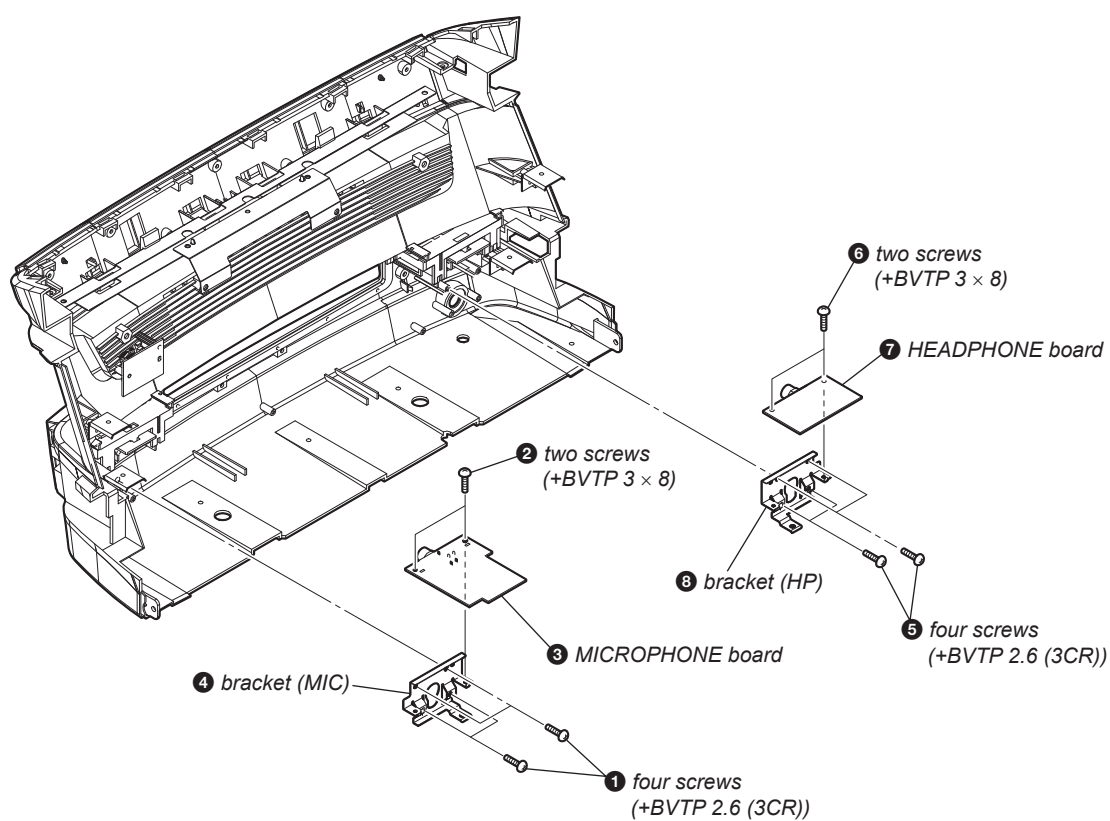
2-20. RIGHT PANEL BOARD, USB-B BOARD



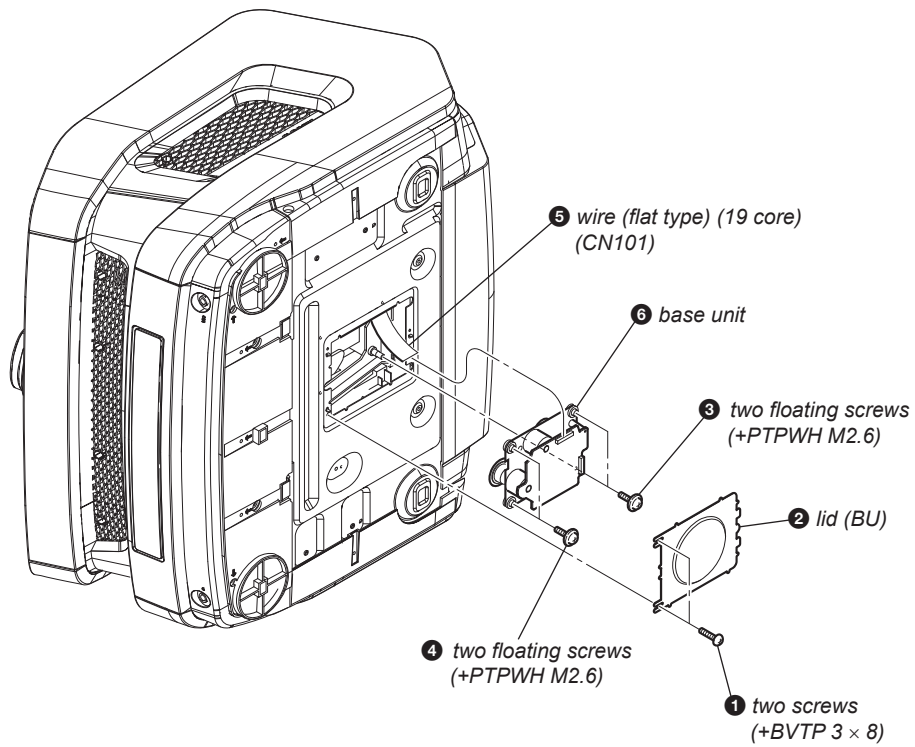
2-21. BOTTOM SIRCS BOARD, OPEN/CLOSE KEY BOARD, DISC FUNCTION BOARD



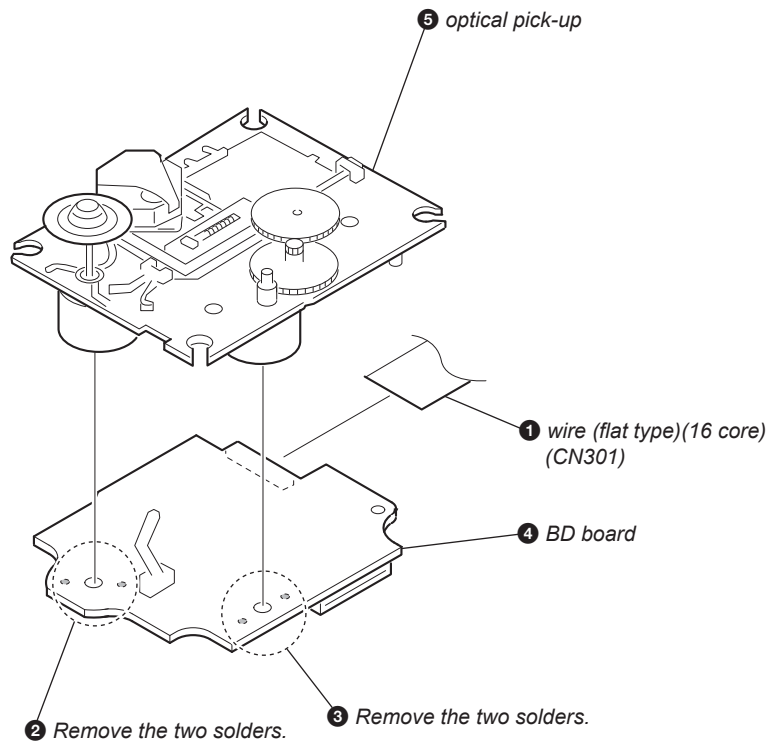
2-22. MICROPHONE BOARD, HEADPHONE BOARD



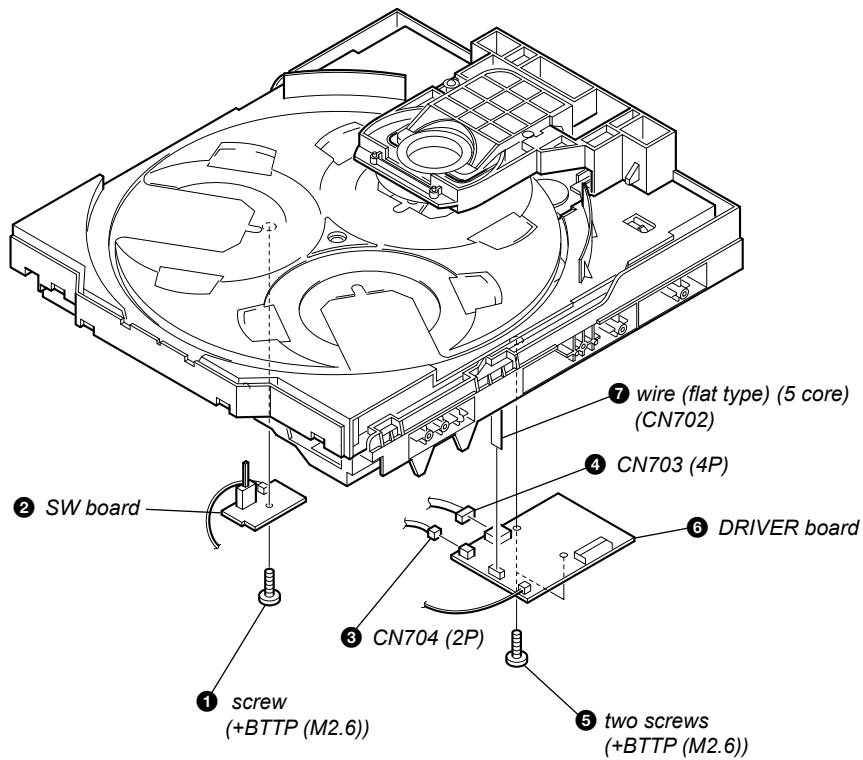
2-23. BASE UNIT



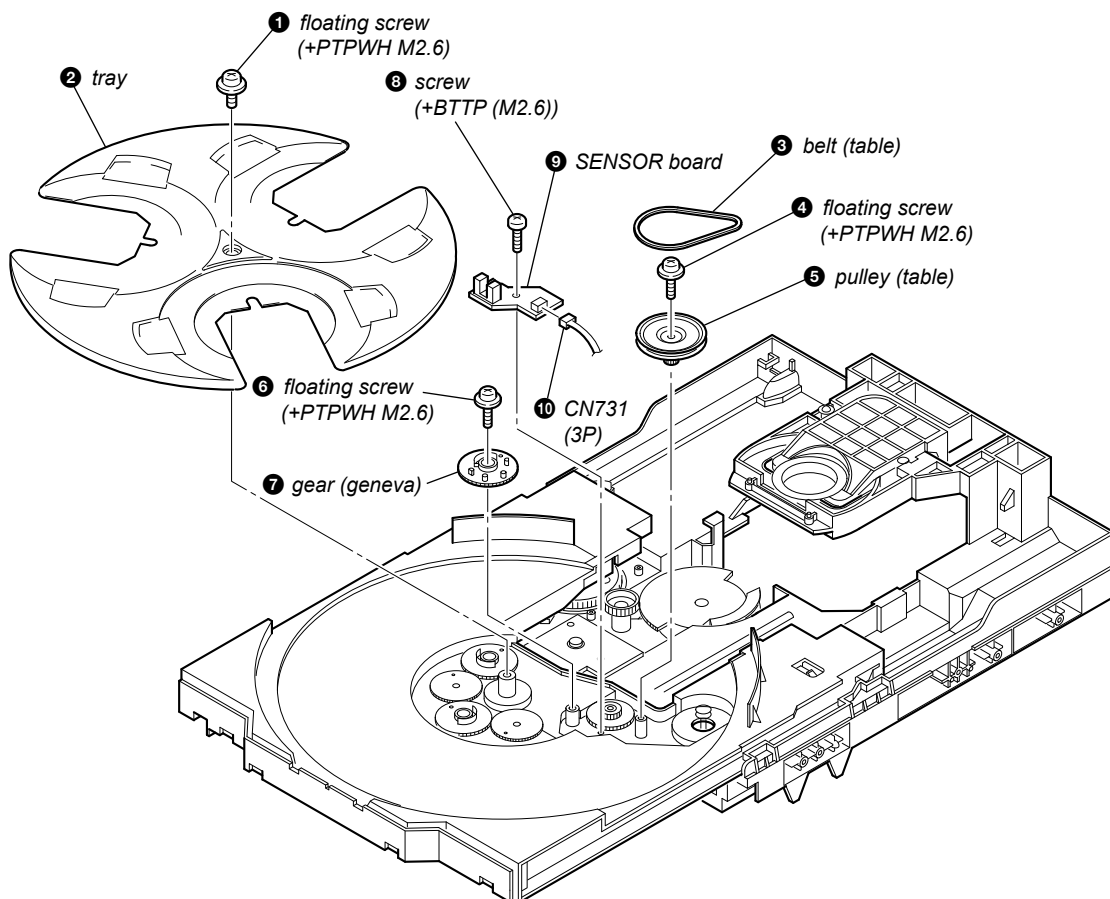
2-24. BD BOARD



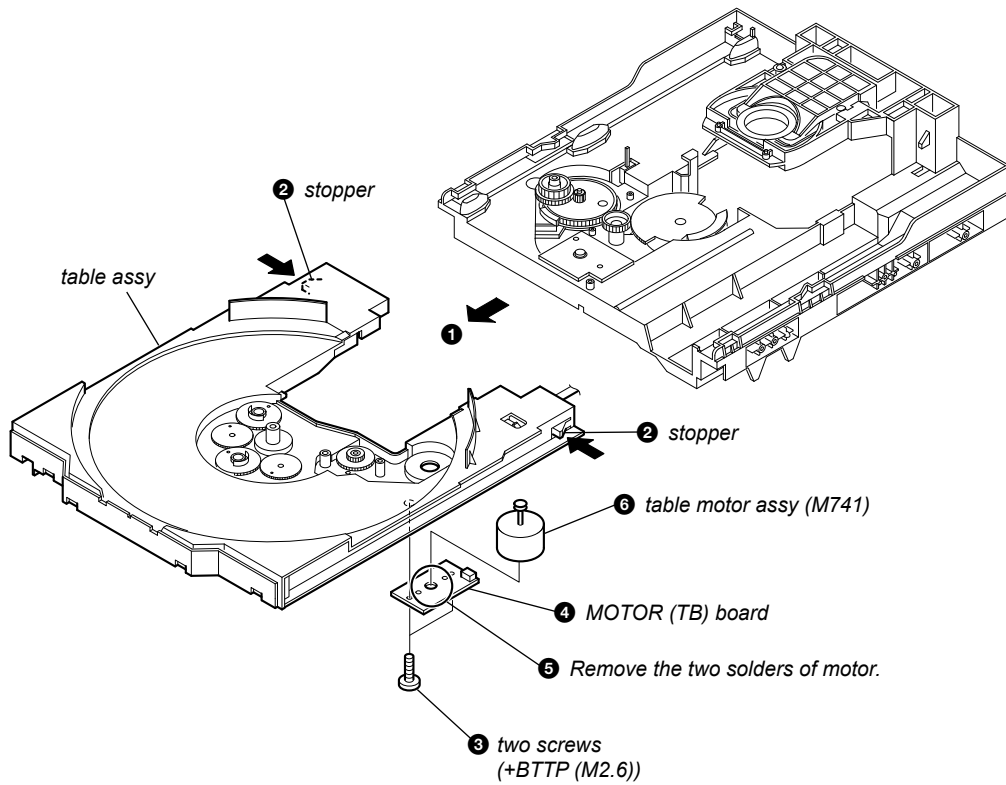
2-25. DRIVER BOARD, SW BOARD



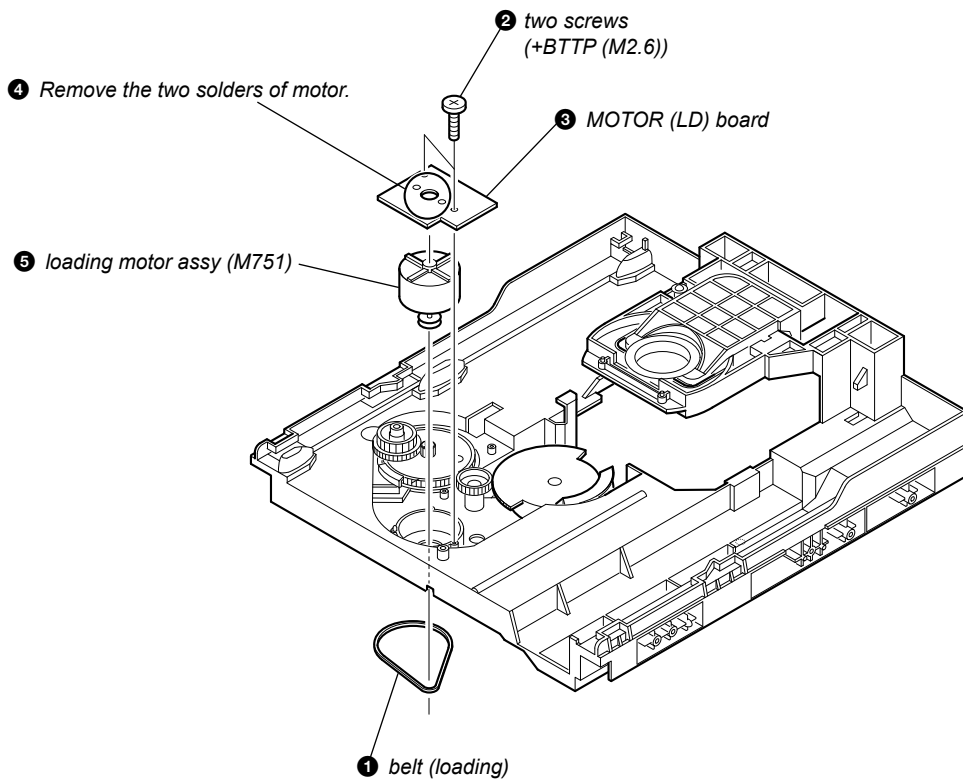
2-26. SENSOR BOARD



2-27. MOTOR (TB) BOARD



2-28. MOTOR (LD) BOARD



SECTION 3 TEST MODE

[COLD RESET]

The cold reset clears all data including preset data stored in the RAM to initial conditions. Execute this mode when returning the set to the customer.

Procedure:

1. Press [I/⏻] button to turn on the system.
2. Press [■] button at channel A, [ENTER] button at channel B, and [I/⏻] button simultaneously.
3. "COLD RESET" appears on the fluorescent indicator tube. After that, the fluorescent indicator tube becomes blank for a while, and the system is reset.

[MC TEST MODE]

This mode is used to check operations of the respective sections of Amplifier and Tape.

Note: When VOLUME MAX is selected during MC TEST MODE, a considerable level of volume will be outputted from the speaker. Because of this, a resistor of several hundred ohms to several kilohms in series should be connected for attenuation.

Procedure:

• To enter MC Test Mode

1. Press [■] button at channel A, [ENTER] button at channel B and [X-MAXIMIZER] button simultaneously.
2. The line image display flashes on the fluorescent indicator tube. The function is no changed. The volume is changed to VOLUME MIN/MAX.

• Check of Amplifier

1. Turn [HIGH] or [MID] or [LOW] dial repeatedly until a message "GEQ MAX" appears on the fluorescent indicator tube. GEQ increases to its maximum.
2. Turn [HIGH] or [MID] or [LOW] dial repeatedly until a message "GEQ MIN" appears on the fluorescent indicator tube. GEQ decreases to its minimum.
3. Turn [HIGH] or [MID] or [LOW] dial repeatedly until a message "GEQ FLAT" appears on the fluorescent indicator tube. GEQ is set to flat.
4. When the [MASTER VOLUME] knob is turned clockwise even slightly, the sound volume increases to its maximum and a message "VOLUME MAX" appears on the fluorescent indicator tube.
5. When the [MASTER VOLUME] knob is turned counterclockwise even slightly, the sound volume decreases to its minimum and a message "VOLUME MIN" appears on the fluorescent indicator tube.
6. Press [DJ MODE] button to enter the DJ MODE.
7. Use [CROSS FADER] to select FADER operation at channel A and at channel B.
8. Use [⏻ LEVEL] to check the headphone level.
9. Use [MIC LEVEL] to check the microphone level.

• To release from Common Test mode

1. To release from this mode, press [I/⏻] button.
2. The cold reset is enforced at the same time.

[PANEL TEST MODE]

This mode is used to check the software version, FL and KEY.

• Display Test Mode

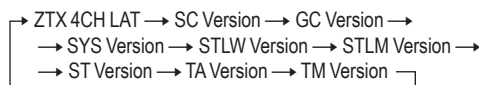
Procedure:

1. Press the [I/⏻] button to turn the power on.
2. Press [■] button at channel A, [ENTER] button at channel B, and [ILLUMINATION] button simultaneously.
3. All LEDs and segments in fluorescent indicator tube are turned on. "All LEDs are turned off." should be removed.
4. To exit from this mode, press [■] button at channel A, [ENTER] button at channel B, and [ILLUMINATION] button simultaneously.

• Version Test Mode

Procedure:

1. When the display test mode is activated, press the [GROOVE] button and the message "ZTX 4CH LAT" is displayed, the version test mode is activated.
2. Whenever the [GROOVE] button is pressed, the display changes in the following order.



3. To exit from this mode, press [■] button at channel A, [ENTER] button at channel B, and [ILLUMINATION] button simultaneously.

• FL Pattern Test Mode

Procedure:

1. When the display test mode is activated, press the [LEVEL INDICATOR] button to select the FL pattern test mode.
2. When in the FL pattern test mode, half segments of fluorescent indicator tube and half lamps are turned on.
3. Press the [LEVEL INDICATOR] button. The remaining half segments of the fluorescent indicator tube and the remaining half lamps are turned on.
4. Next press the [LEVEL INDICATOR] button, all the segments of the fluorescent indicator tube are turned off.
5. To exit from this mode, press [■] button at channel A, [ENTER] button at channel B, and [ILLUMINATION] button simultaneously.

• Key Test Mode

Procedure:

1. When the display test mode is activated, press the [ILLUMINATION] button to select the key test mode.

Key Test Mode display

J0	K0	J0	MIC 0	HP 0
V0	C0	X0	L0	M9 H2

- J: Search dial at channel A or B
 C: CROSS FADER
 K: Keys
 V: MASTER VOLUME
 X: OPERATION JOG dial
 MIC: MIC LEVEL dial
 HP: HEADPHONE LEVEL dial
 L: LOW dial
 M: MID dial
 H: HIGH dial

2. To enter the KEY test mode, the fluorescent indicator tube displays "K0". Each time an another button is pressed, "KEY" value increases. However, once a button is pressed, it is no longer taken into account. When all keys are pressed correctly, "K62" is displayed.
3. When the [MASTER VOLUME] control is turned in the direction of (+), "V0" is changed to "V1", then ... "V9". When the [MASTER VOLUME] control is turned in the direction of (-), "V0" is changed to "V9", then ... "V1".
4. Just like the [MASTER VOLUME] control, by operating the respective dials, their settings are changed as given below:
 - J: 0 to 9
 - C: 0 to 25
 - X: 0 to 9
 - L: 0 to 9
 - M: 0 to 9
 - H: 0 to 9
 - MIC: 0 to 19
 - HP: 0 to 31
5. To exit from this mode, disconnect the power cord to turn off the system.

[CD SHIP MODE (WITHOUT MEMORY CLEAR)]

This mode moves the optical pick-up to the position durable to vibration. Use this mode when returning the set to the customer after repair.

Procedure:

1. Press [I/⏻] button to turn on the system.
2. Select CD function without disc.
3. Press [CD/DISC] button and [I/⏻] button simultaneously. The system turns off automatically.
4. After the "STANDBY" blinking display finishes, a message "MECHA LOCK" is displayed on the fluorescent indicator tube and the CD ship mode is set.
5. To exit from this mode, disconnect the power cord to turn off the system.

[CD SHIP MODE (WITH MEMORY CLEAR)]

This mode moves the optical pick-up to the position durable to vibration and clears all data including preset data stored in the RAM to initial conditions during the next AC-In. Use this mode when returning the set to the customer after repair.

Procedure:

1. Press [I/⏻] button to turn on the system.
2. Select CD function.
3. Press [■] button at channel B, [CD/DISC] button and [I/⏻] button simultaneously. The system turns off automatically.
4. After the "STANDBY" blinking display finishes, a message "MECHA LOCK" is displayed on the fluorescent indicator tube and the CD ship mode is set.
5. To exit from this mode, disconnect the power cord to turn off the system.

[DISC THEFT PREVENTION MODE]

The disc tray lock function for the antitheft of an demonstration disc in the store is equipped.

Setting Procedure:

1. Press the [I/⏻] button to turn the set on.
2. Press the [CD/DISC] button to set CD function.
3. Insert a disc.
4. Press the [■] button at channel A and the [▲ OPEN/CLOSE] button simultaneously for five seconds.
5. The message "LOCKED" is displayed and the tray is locked.

Releasing Procedure:

1. Press the [■] button at channel A and the [▲ OPEN/CLOSE] button simultaneously for five seconds again.
2. The message "UNLOCKED" is displayed and the tray is unlocked.

Note: When "LOCKED" is displayed, the tray lock is not released by turning power on/off with the [I/⏻] button.

[TUNER STEP CHANGE]

The step interval of AM channels can be toggled between 9 kHz and 10 kHz. This mode is not available for Saudi Arabian and Russian models.

Procedure:

1. Press [I/⏻] button to turn on the system.
2. Press [TUNER/BAND] button repeatedly to select the "AM".
3. Press [I/⏻] button to turn off the system.
4. Press [ENTER] button at channel A and [I/⏻] button simultaneously. The system turns on automatically. The message "AM 9K STEP" or "AM 10K STEP" appears on the fluorescent indicator tube and thus the channel step is changed.

[VACS ON/OFF]

This mode is used to switch ON and OFF the VACS (Variable Attenuation Control System).

Procedure:

1. Press [I/⏻] button to turn on the system.
2. Press [■] button at channel A and [OPTIONS] button simultaneously. The message "VACS OFF" or "VACS ON" appears on the fluorescent indicator tube.

[VACS DISPLAY]

This mode is used to check the VACS level.

Procedure:

1. Press [I/⏻] button to turn on the system.
2. Press [■] button at channel A, [CD/DISC] button and [RETURN] button at channel B simultaneously.
3. The fluorescent indicator tube displays "VACSS AP#". "VACS" represents Conventional VACS (Triggered by signal level) "AP" represents APVACS (Abuse Protection VACS) "\$" is the Conventional VACS level. "#" is the APVACS level.
4. To exit from this mode, press [■] button at channel A, [CD/DISC] button and [RETURN] button at channel B simultaneously.

[BPM RESET]

Procedure:

1. Press the [I/⏻] button to turn the power on.
2. Press [BEAT SPEED] button and [ENTER] button at channel A simultaneously.
3. When this button is operated, display as "BPM RESET" for a while and all of the settings are reset.

[CHAIN, CHAIN B, CHAIN C, CHAIN D]

Procedure:

1. Press the [I/⏻] button to turn the power on.
- **CHAIN mode**
 2. Press [PAD 1] button and [PAD 2] button simultaneously.
 3. The message "CHAIN 1 < - > 2" will be displayed on the fluorescent indicator tube.
 4. The beats and the rhythm are changed by turning the [OPERATION JOG] dial clockwise and counterclockwise.
- **CHAIN B mode**
 5. Press [PAD 3] button and [PAD 4] button simultaneously.
 6. The message "CHAIN 3 < - > 4" will be displayed on the fluorescent indicator tube.
 7. The beats and the rhythm are changed by turning the [OPERATION JOG] dial clockwise and counterclockwise.
- **CHAIN C mode**
 8. Press [PAD 1] button and [PAD 4] button simultaneously.
 9. The message "CHAIN 1 < - > 4" will be displayed on the fluorescent indicator tube.
 10. The beats and the rhythm are changed by turning the [OPERATION JOG] dial clockwise and counterclockwise.
- **CHAIN D mode**
 11. Press [PAD 3] button and [PAD 2] button simultaneously.
 12. The message "CHAIN 3 < - > 2" will be displayed on the fluorescent indicator tube.
 13. The beats and the rhythm are changed by turning the [OPERATION JOG] dial clockwise and counterclockwise.

[X-TRANCE DEMO MODE]

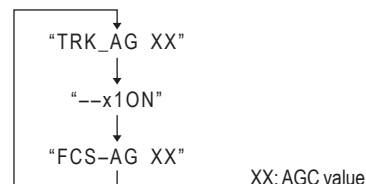
Procedure:

1. Press [I/⏻] button to turn on the system.
2. Press [ENTER] button at channel A and [BEAT PATTERN] button simultaneously.
3. The message "X-TRANCE PRO DEMO" will be displayed on the fluorescent indicator tube.
4. The Demo mode is entered.
5. To exit from this mode, press any button on the panel. "DEMO OFF" will be displayed, exiting from the Demo mode.

[BD FACTORY MODE]

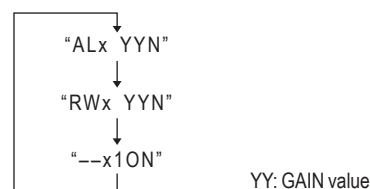
Procedure:

1. Press [I/⏻] button to turn on the system.
2. Select CD function.
3. Press [■] button at channel A, [MP3 BOOSTER] button and [RETURN] button at channel B simultaneously.
4. "FACTORY MODE" will be displayed for a moment, entering the mode.
- **AGC mode**
 5. The AGC value is indicated each time the [⏮ CUE A] button is pressed.



• RF GAIN mode

6. The RF GAIN value is indicated each time the [BEAT SPEED] button is pressed.



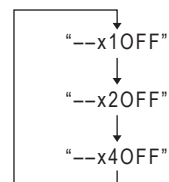
• TRK ON/OFF

7. TRK is switched between TRK ON and OFF each time the [AUDIO IN 2] button.

"--x1ON" ↔ "--x1OFF"

• PLAYING SPEED mode

8. The CD playing speed is changed as given below each time the [SURROUND] button is pressed.



• S-CURVE ON/OFF mode

9. S-CURVE is switched between S-CURVE ON and OFF each time the [GROOVE] button is pressed.

"--x1OFF" ↔ "--x1OFF SCURVE"
 ↓
 Set value of the PLAYING SPEED

• LAST TrK + PLAY mode

10. The last track of the CD disk is played back by pressing the [RETURN] button at channel A. However, the items 7, 8 and 9 must be at their normal settings.

• To exit from this mode

11. Press [■] button at channel A, [MP3 BOOSTER] button and [RETURN] button at channel B simultaneously.

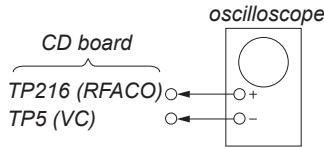
SECTION 4 ELECTRICAL CHECKS

CD SECTION

Note:

1. CD Block is basically designed to operate without adjustment. Therefore, check each item in order given.
2. Use YEDS-18 disc (3-702-101-01) unless otherwise indicated.
3. Use an oscilloscope with more than 10 MΩ impedance.
4. Clean the object lens by an applicator with neutral detergent when the signal level is low than specified value with the following checks.

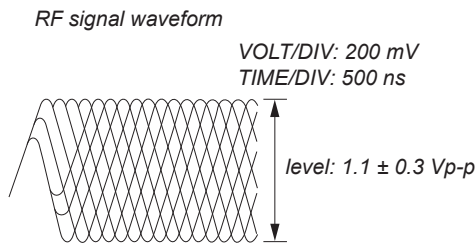
RF LEVEL CHECK



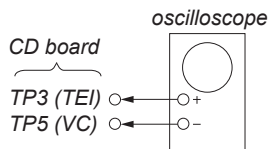
Procedure:

1. Connect an oscilloscope TP216 (RFACO) and TP5 (VC) on the CD board.
2. Turn the power ON.
3. Load a disc (YEDS-18) and playback.
4. Confirm that oscilloscope waveform is clear and check if RF signal level is correct or not.

Note: Clear RF signal waveform means that the shape “◇” can be clearly distinguished at the center of the waveform.

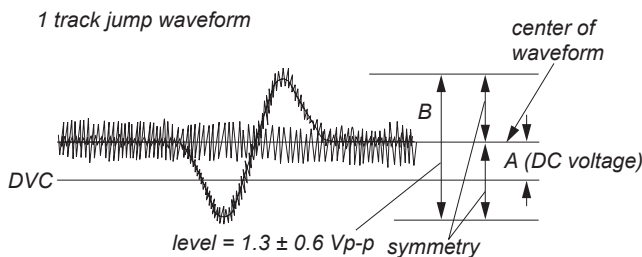


E-F BALANCE (1 TRACK JUMP) CHECK



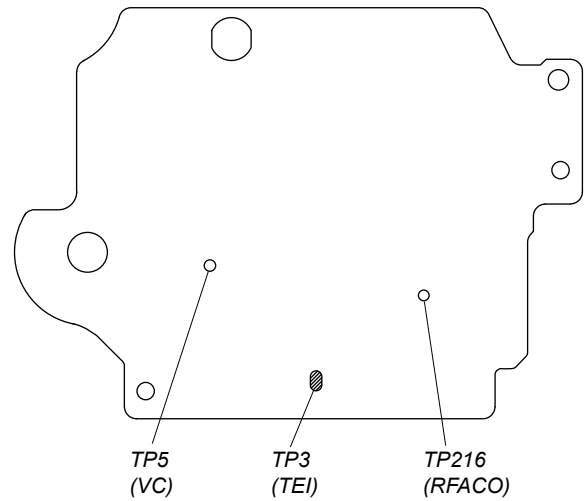
Procedure:

1. Connect an oscilloscope to TP3 (TEI) and TP5 (VC).
2. Turn the power ON.
3. Load a disc (YEDS-18) and playback the number 5 track.
4. Confirm that the level B and A (DC voltage) on the oscilloscope waveform.



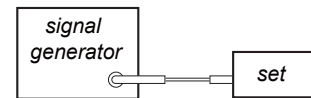
Connecting and Adjustment Location: CD board

– CD BOARD (CONDUCTOR SIDE) –



TUNER SECTION

FM TUNE LEVEL CHECK



Procedure:

1. Turn on the set.
2. Input the following signal from signal generator to FM antenna input directly.

Carrier frequency : A = 87.5 MHz, B = 98 MHz, C = 108 MHz
 Deviation : 75 kHz
 Modulation : 1 kHz
 ANT input : 35 dBu (EMF)

Note: Use 75 ohm coaxial cable to connect signal generator and the set. You cannot use video cable for checking. Use signal generator whose output impedance is 75 ohm.

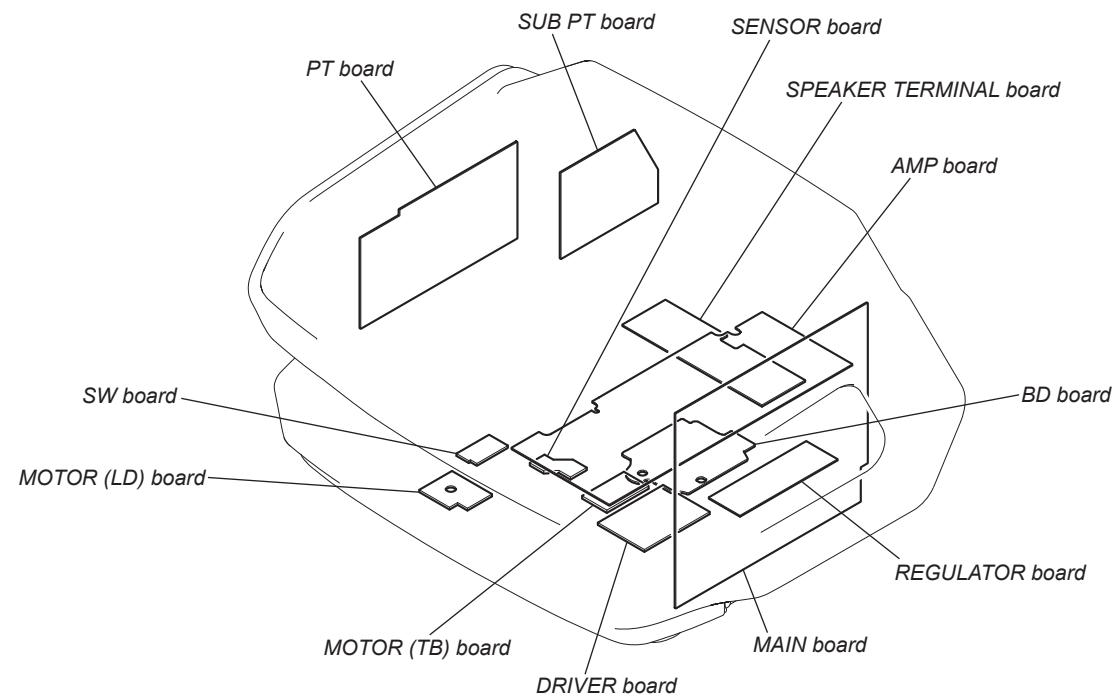
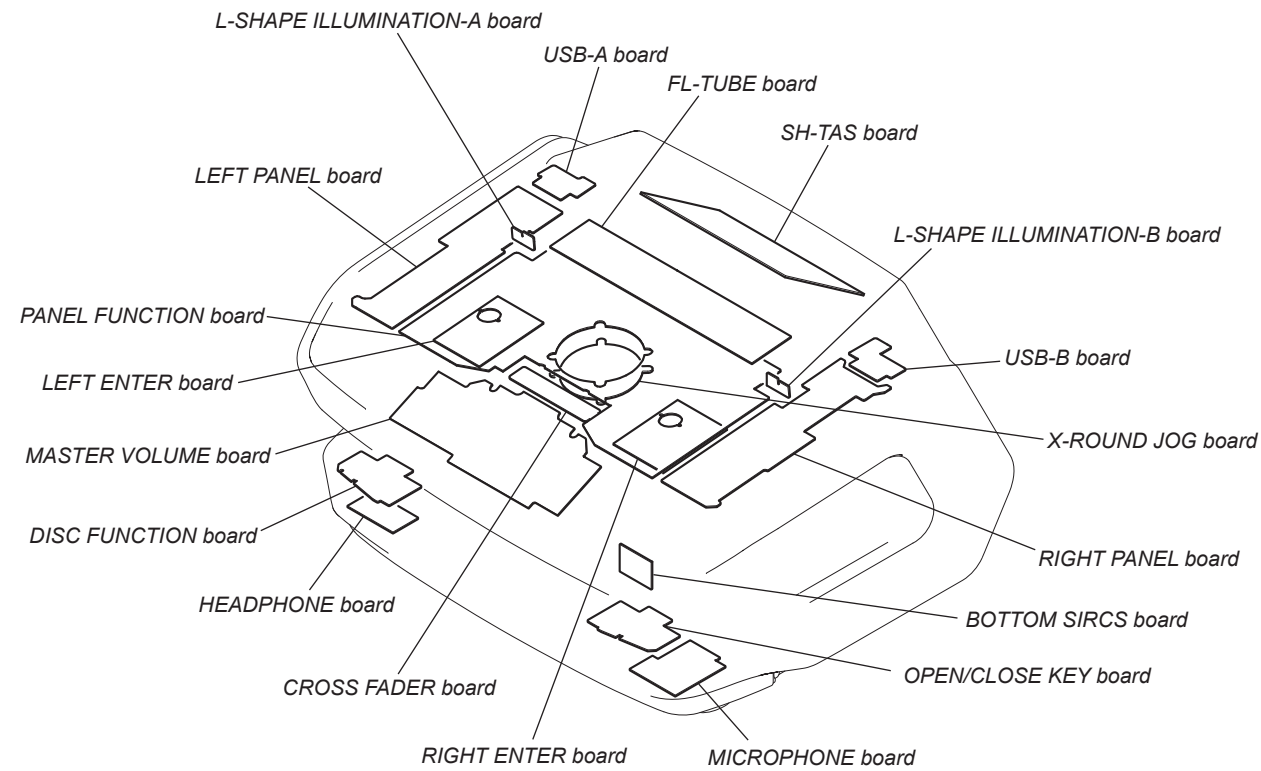
3. Set to FM tuner function and tune A, B and C signals.
4. Confirm “TUNED” is lit on the display for A, B and C signals.

When the selected station signal is received in good condition, “TUNED” is displayed.

MEMO

SECTION 5 DIAGRAMS

• Circuit Boards Location



THIS NOTE IS COMMON FOR PRINTED WIRING BOARDS AND SCHEMATIC DIAGRAMS.
(In addition to this, the necessary note is printed in each block.)

For Printed Wiring Boards.

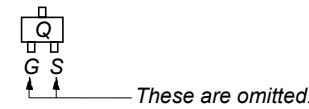
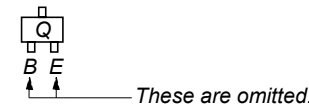
Note:

- : Parts extracted from the component side.
- : Parts extracted from the conductor side.
- : Pattern from the side which enables seeing.
(The other layers' patterns are not indicated.)

Caution:

Pattern face side: Parts on the pattern face side seen (Conductor Side) from the pattern face are indicated.
Parts face side: Parts on the parts face side seen from (Component Side) the parts face are indicated.

- Indication of transistor.



- Abbreviation

E2 : 120V AC area in E model
E3 : 240V AC area in E model
E51 : Chilean and Peruvian models
MX : Mexican model

UNLEADED SOLDER

Boards requiring use of unleaded solder are printed with the lead-free mark (LF) indicating the solder contains no lead.

(Caution: Some printed circuit boards may not come printed with the lead free mark due to their particular size)

LF : LEAD FREE MARK

Unleaded solder has the following characteristics.

- Unleaded solder melts at a temperature about 40 °C higher than ordinary solder.
Ordinary soldering irons can be used but the iron tip has to be applied to the solder joint for a slightly longer time.
Soldering irons using a temperature regulator should be set to about 350 °C.
Caution: The printed pattern (copper foil) may peel away if the heated tip is applied for too long, so be careful!
- Strong viscosity
Unleaded solder is more viscous (sticky, less prone to flow) than ordinary solder so use caution not to let solder bridges occur such as on IC pins, etc.
- Usable with ordinary solder
It is best to use only unleaded solder but unleaded solder may also be added to ordinary solder.

For Schematic Diagrams.

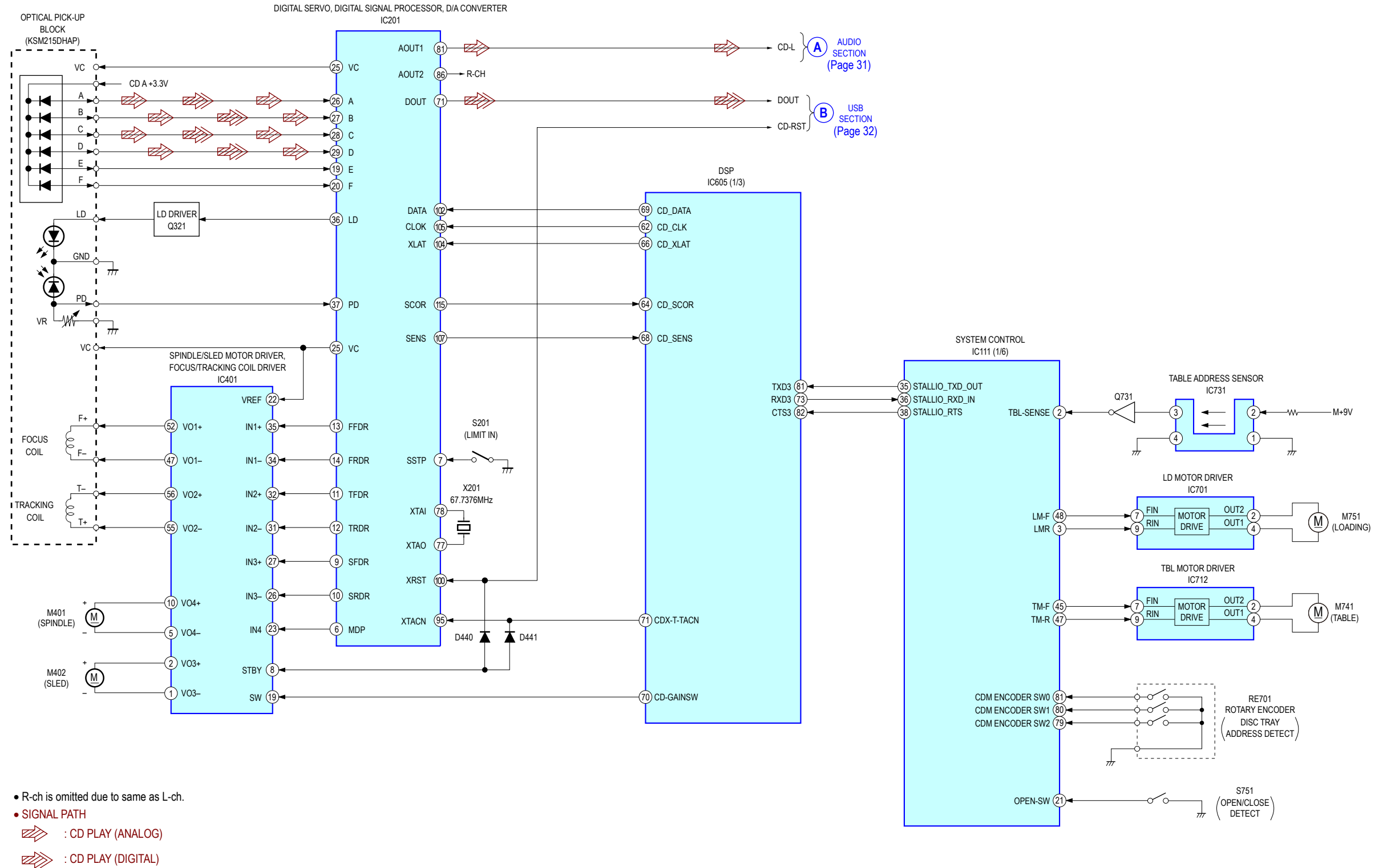
Note:

- All capacitors are in μF unless otherwise noted. (p: pF) 50 WV or less are not indicated except for electrolytics and tantalums.
- All resistors are in Ω and 1/4 W or less unless otherwise specified.
- : Nonflammable resistor.
- : Panel designation.

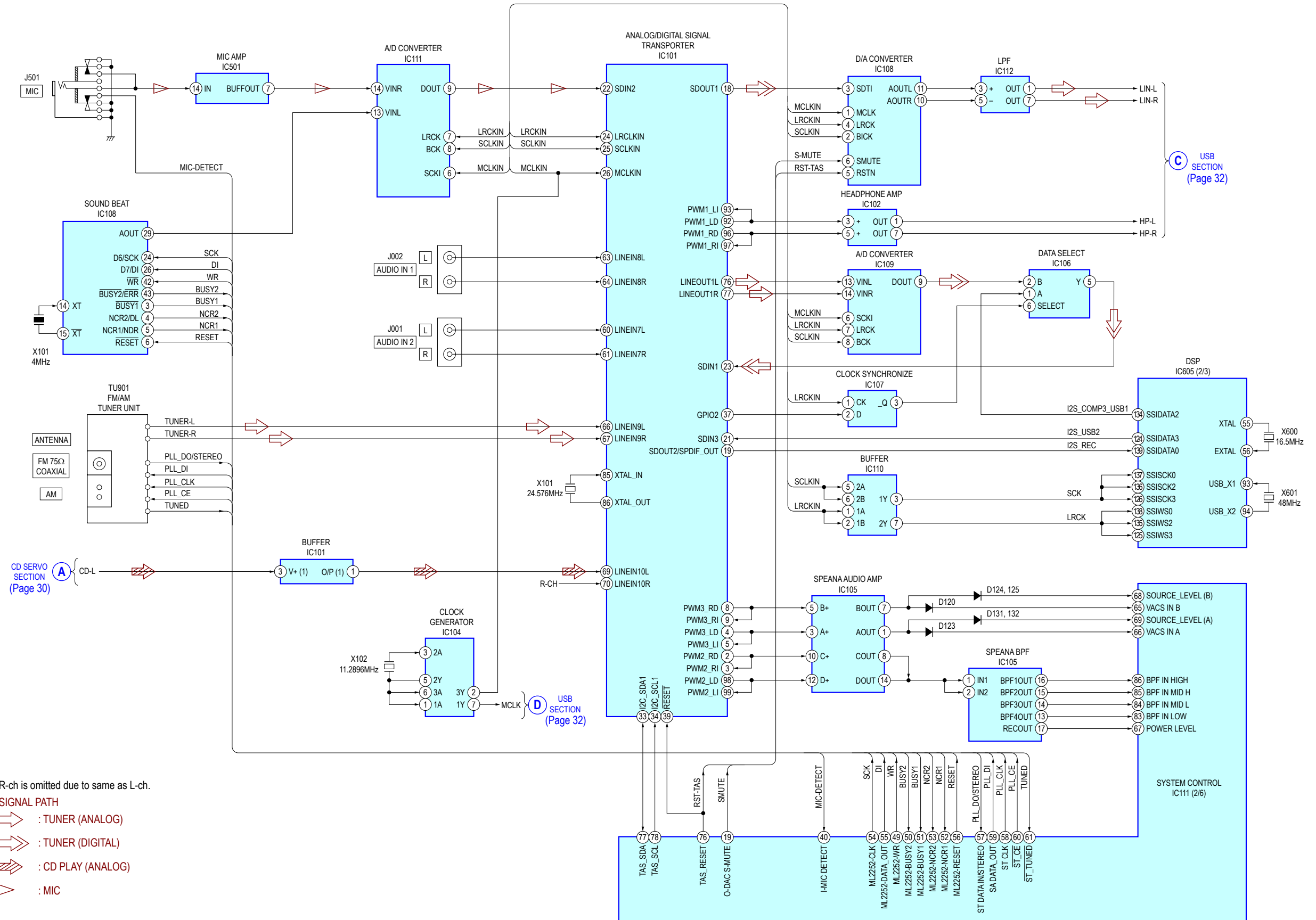
Note: The components identified by mark Δ or dotted line with mark Δ are critical for safety.
Replace only with part number specified.

- : B+ Line.
- : B- Line.
- Voltages and waveforms are dc with respect to ground under no-signal (detuned) conditions.
no mark: TUNER
< >: CD PLAY
* : Impossible to measure
- Voltages are taken with VOM (Input impedance 10 M Ω).
Voltage variations may be noted due to normal production tolerances.
- Waveforms are taken with a oscilloscope.
Voltage variations may be noted due to normal production tolerances.
- Circled numbers refer to waveforms.
- Signal path.
: TUNER (ANALOG)
: TUNER (DIGITAL)
: CD PLAY (ANALOG)
: CD PLAY (DIGITAL)
: MIC
- Abbreviation
E2 : 120V AC area in E model
E3 : 240V AC area in E model
E51 : Chilean and Peruvian models
MX : Mexican model

5-1. BLOCK DIAGRAM – CD SERVO Section –



5-2. BLOCK DIAGRAM – AUDIO Section –

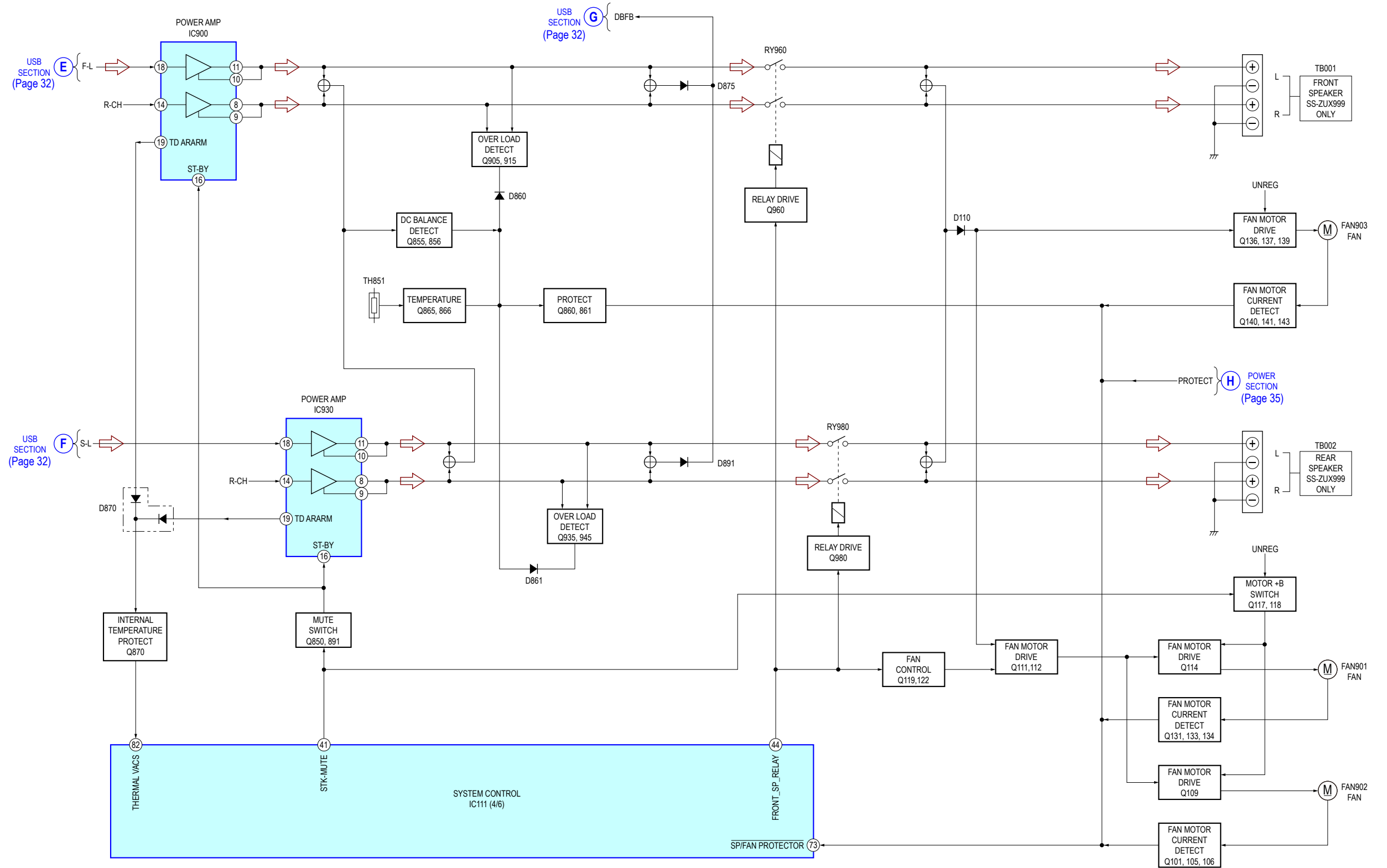


• R-ch is omitted due to same as L-ch.

• SIGNAL PATH

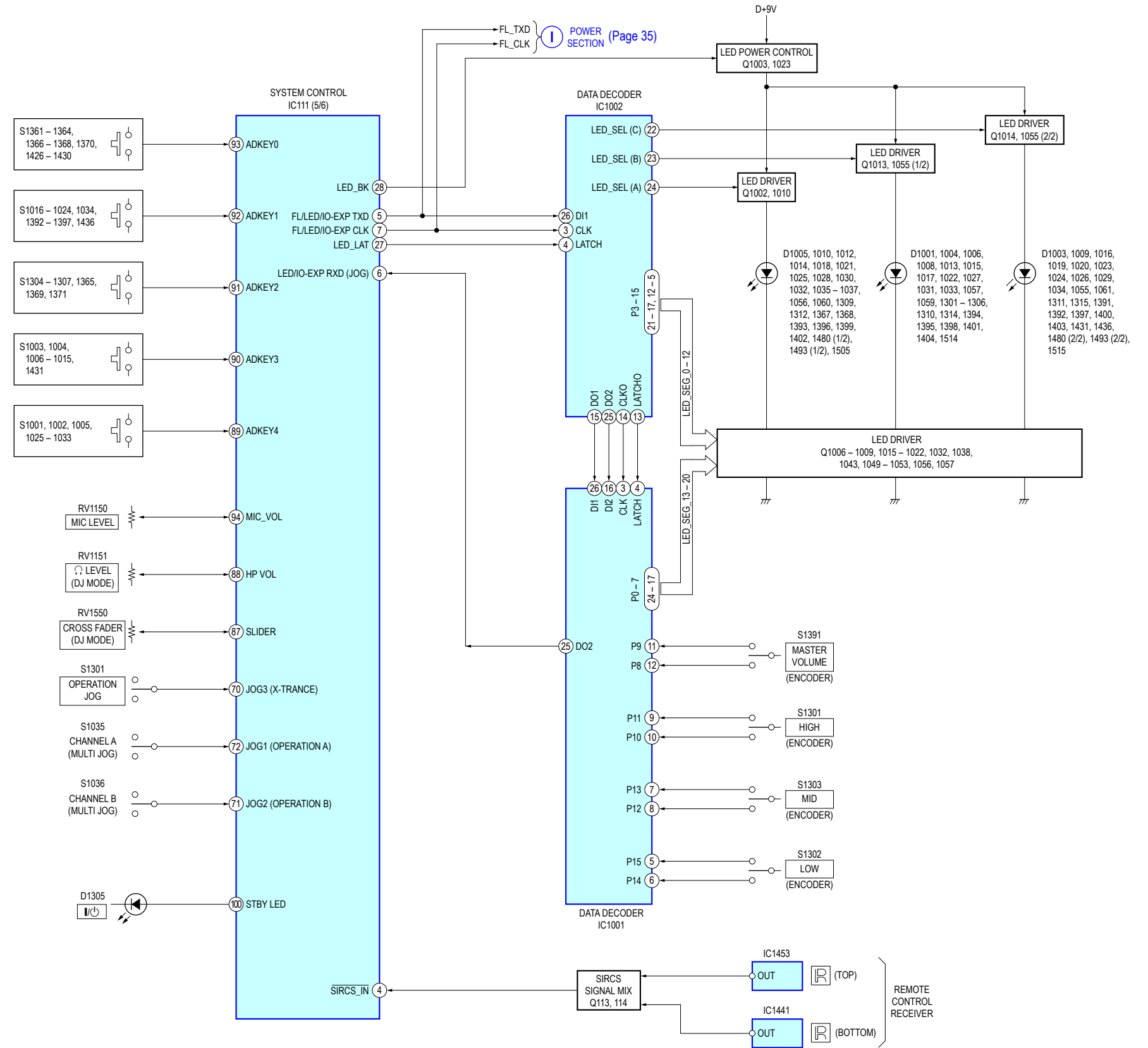
- ➡ : TUNER (ANALOG)
- ➡➡ : TUNER (DIGITAL)
- ➡➡➡ : CD PLAY (ANALOG)
- ▷ : MIC

5-4. BLOCK DIAGRAM – AMP Section –

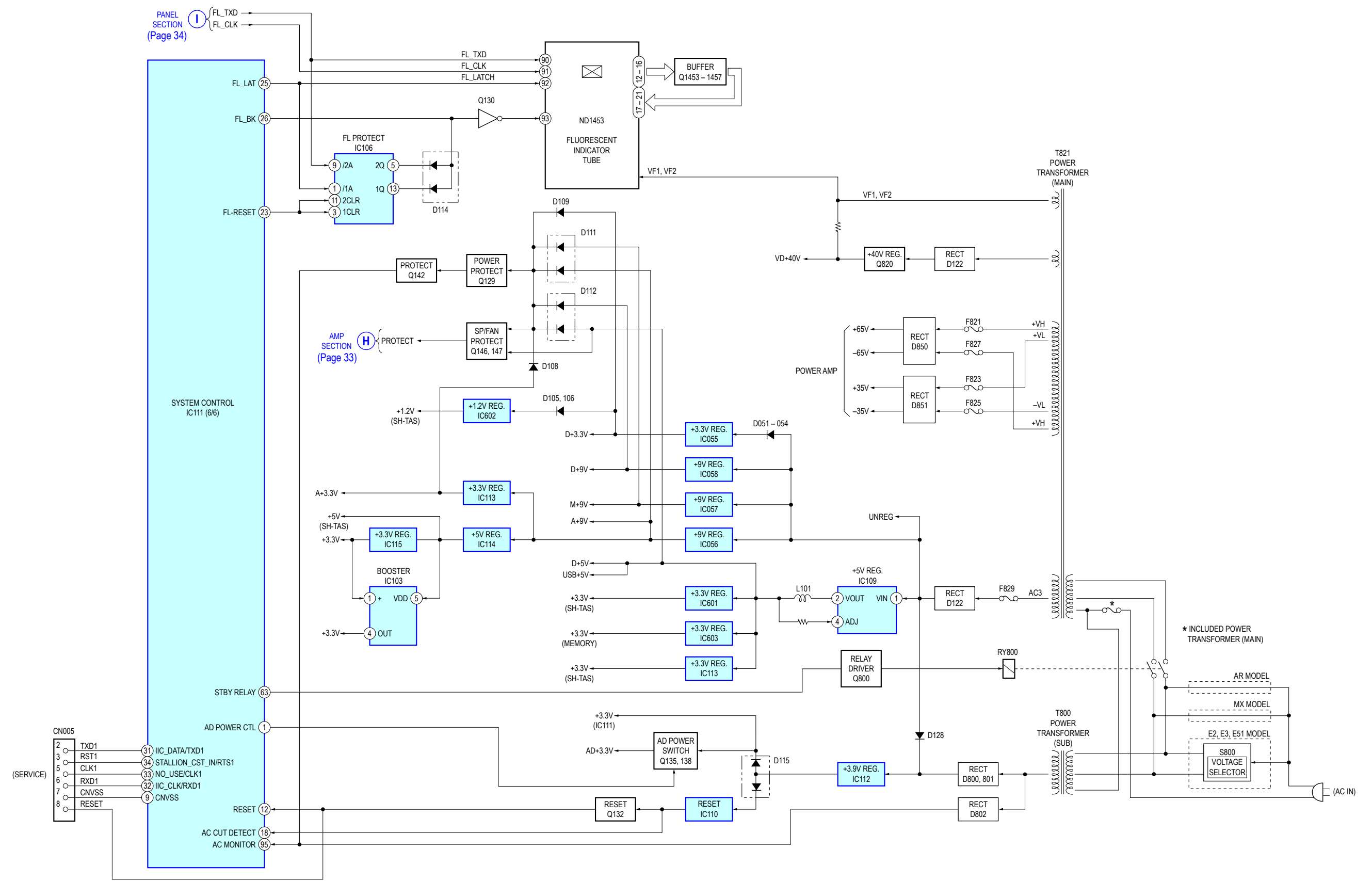


- R-ch is omitted due to same as L-ch.
- SIGNAL PATH
- ➡ : TUNER (ANALOG)

5-5. BLOCK DIAGRAM – PANEL Section –

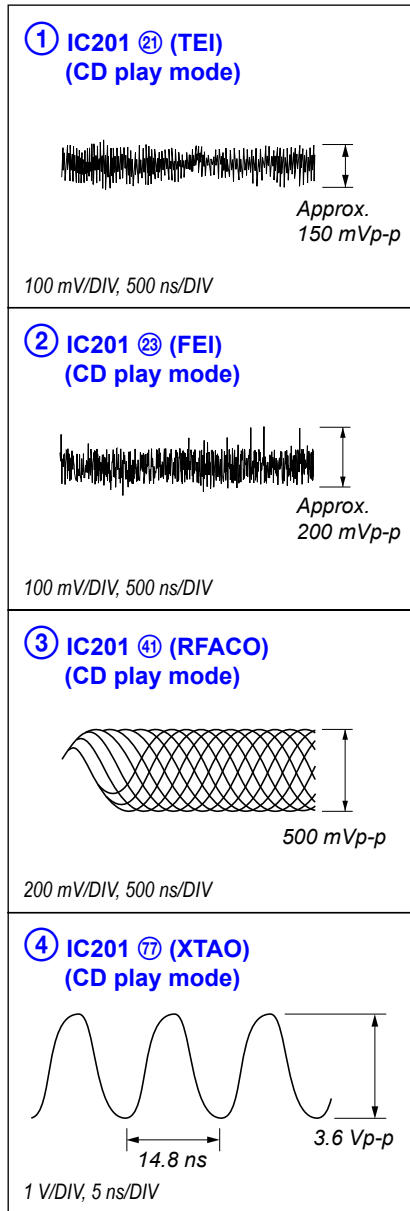


5-6. BLOCK DIAGRAM – POWER Section –

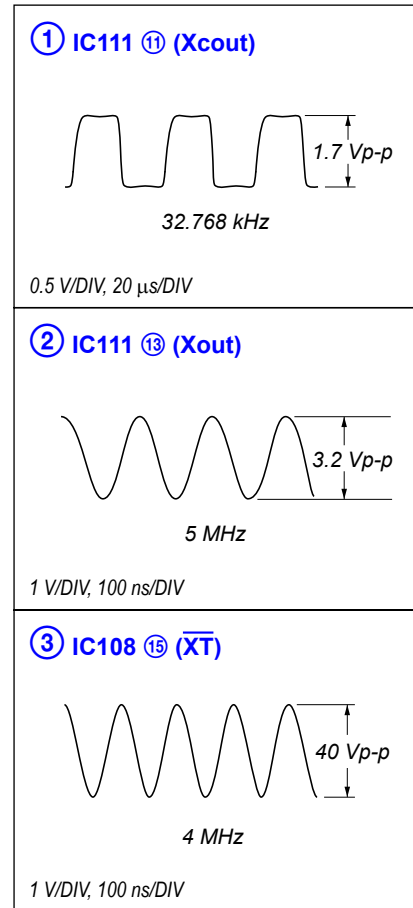


• Waveforms

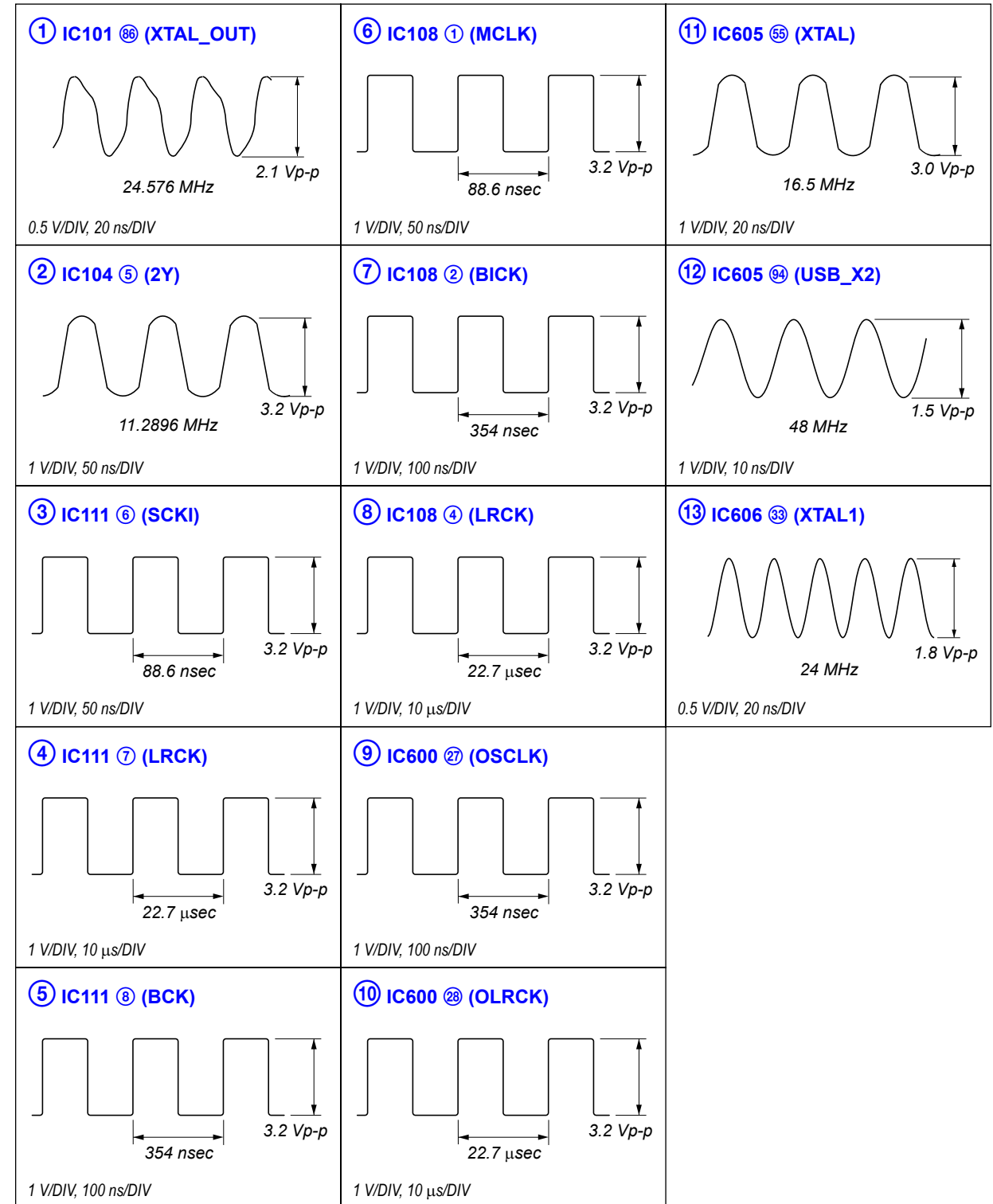
– BD Board –



– MAIN Board –



– SH-TAS Board –

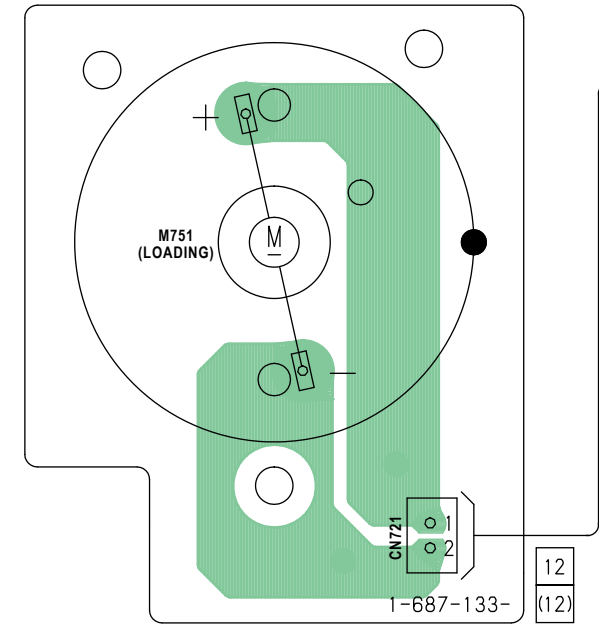


5-7. PRINTED WIRING BOARDS – DRIVER Section – • See page 29 for Circuit Boards Location. •  : Uses unleaded solder.

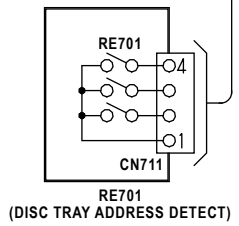
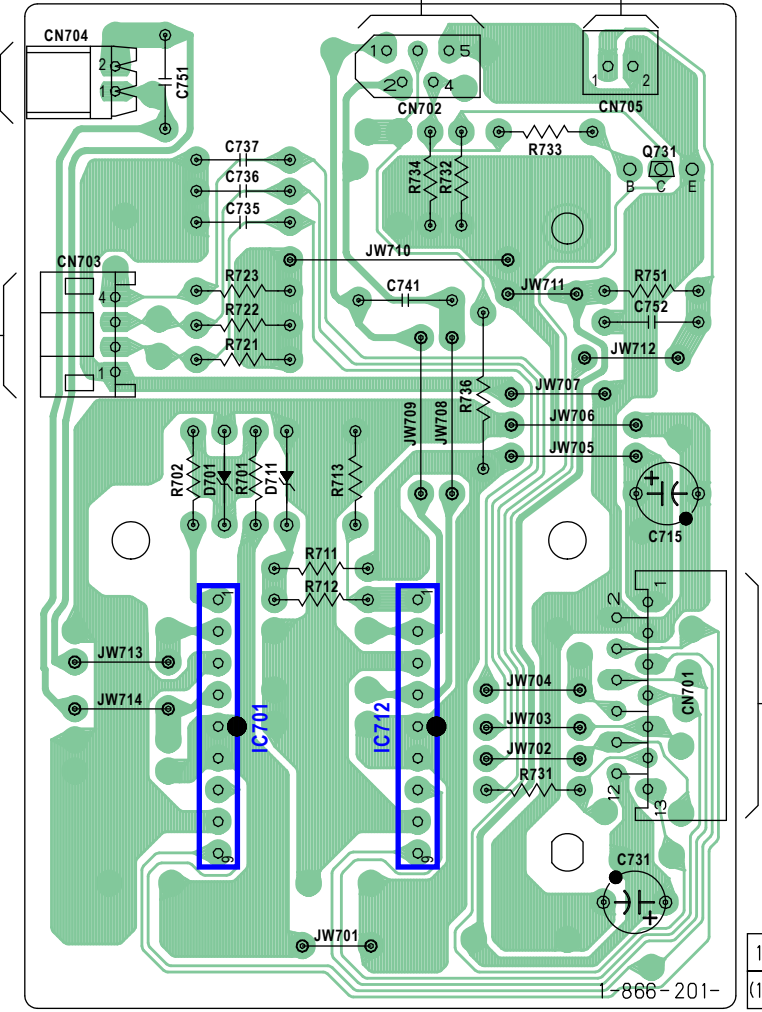
1 | 2 | 3 | 4 | 5 | 6 | 7 | 8 | 9 | 10 | 11 | 12 | 13 | 14

A
B
C
D
E
F
G
H

【MOTOR (LD) BOARD】

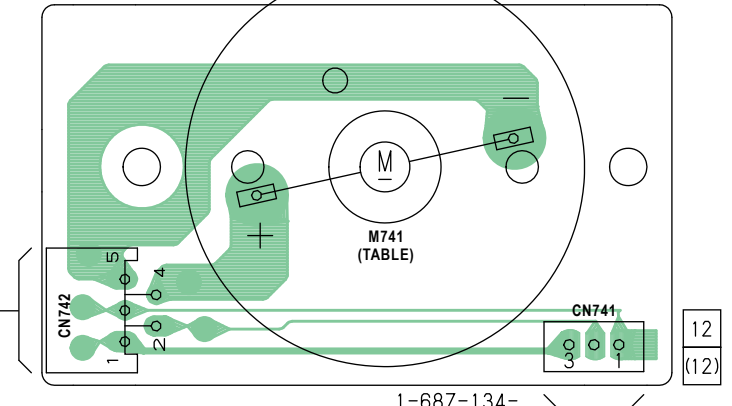


【DRIVER BOARD】

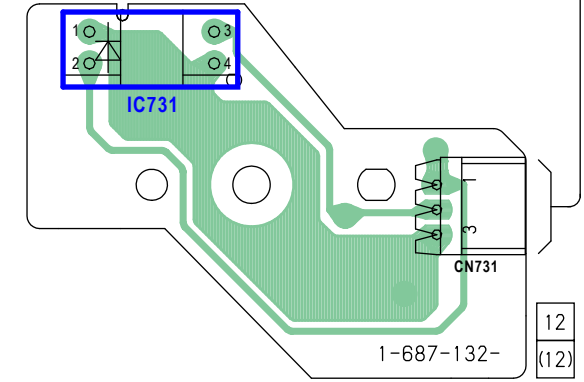


A MAIN BOARD CN109 (Page 41)

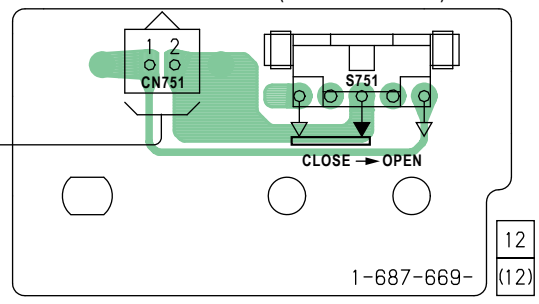
【MOTOR (TB) BOARD】



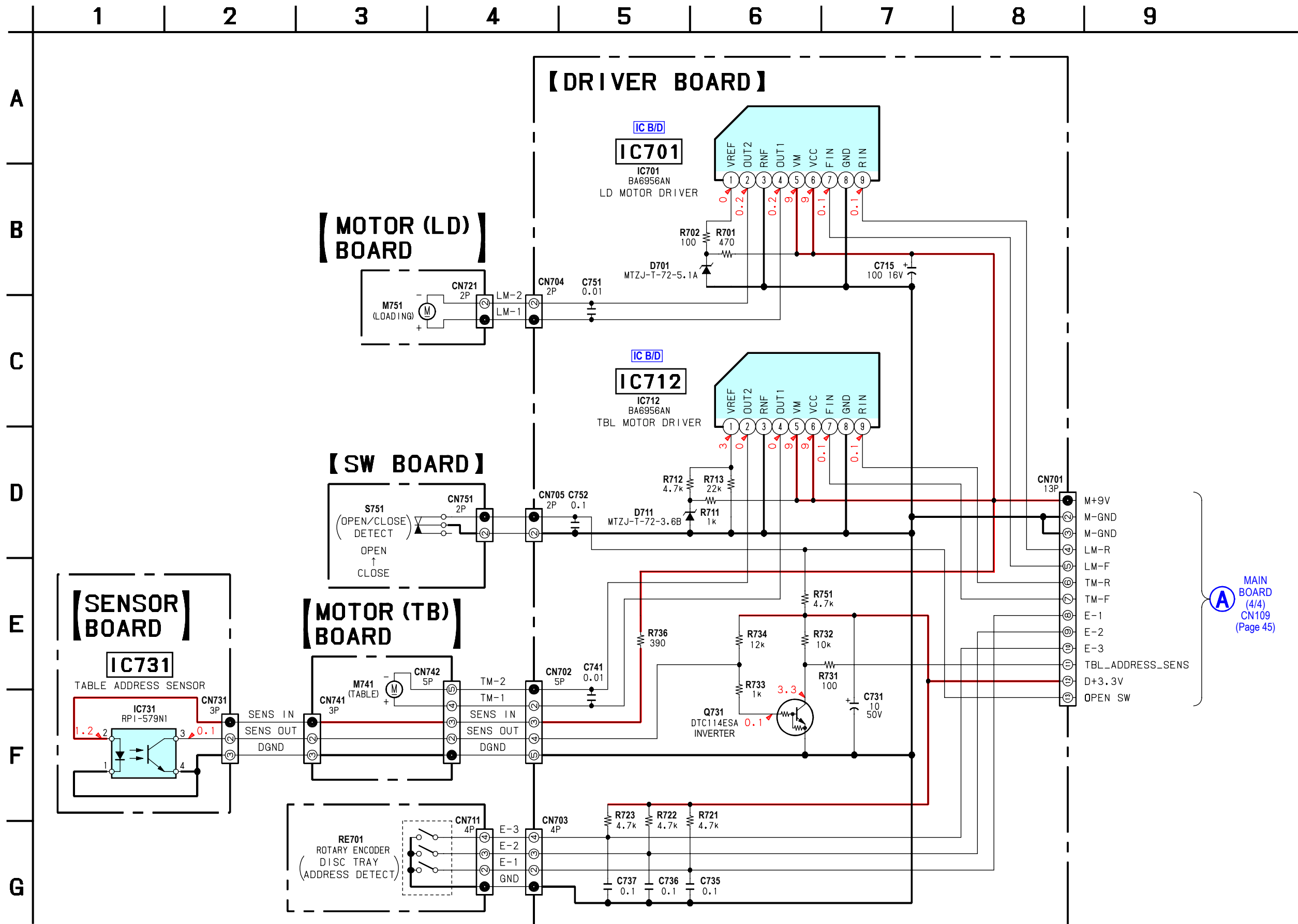
【SENSOR BOARD】



【SW BOARD】

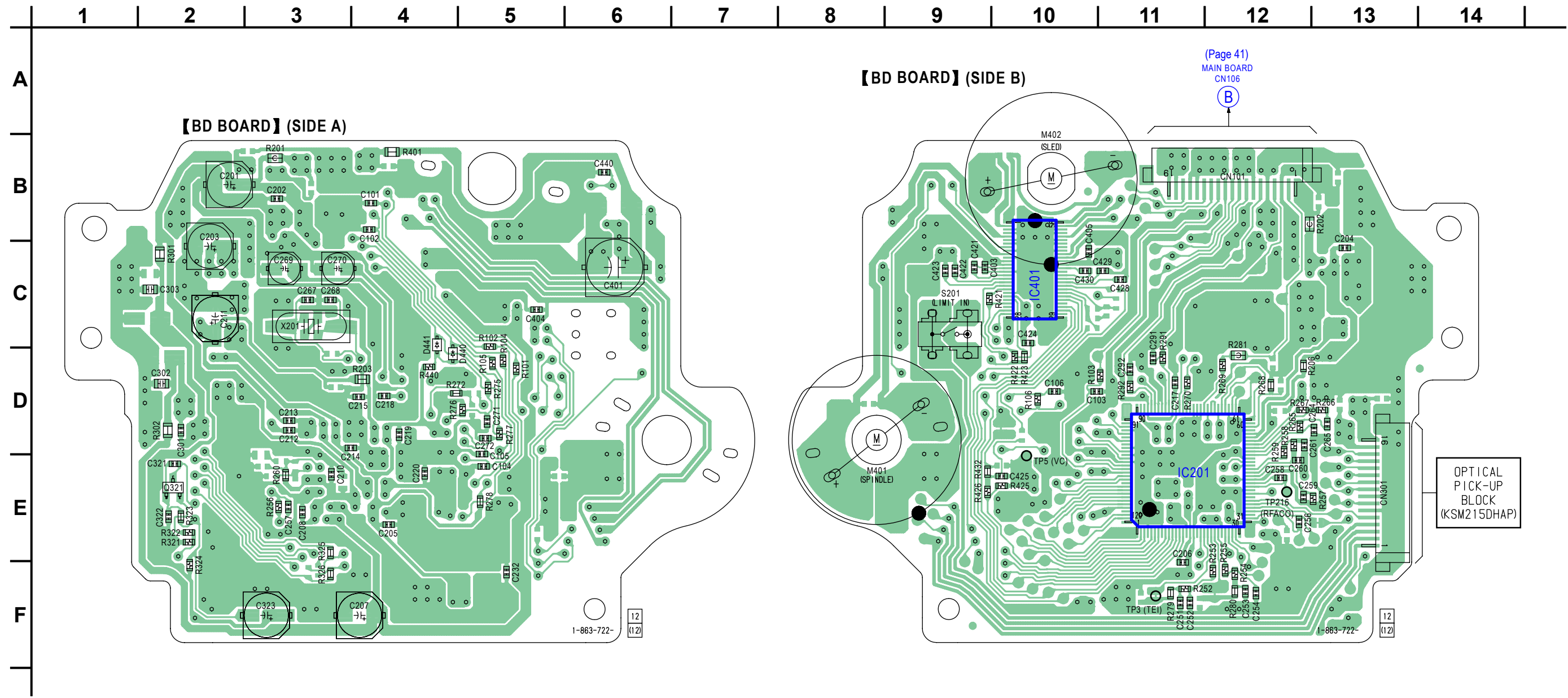


5-8. SCHEMATIC DIAGRAM – DRIVER Section – • See page 72 for IC Block Diagrams.

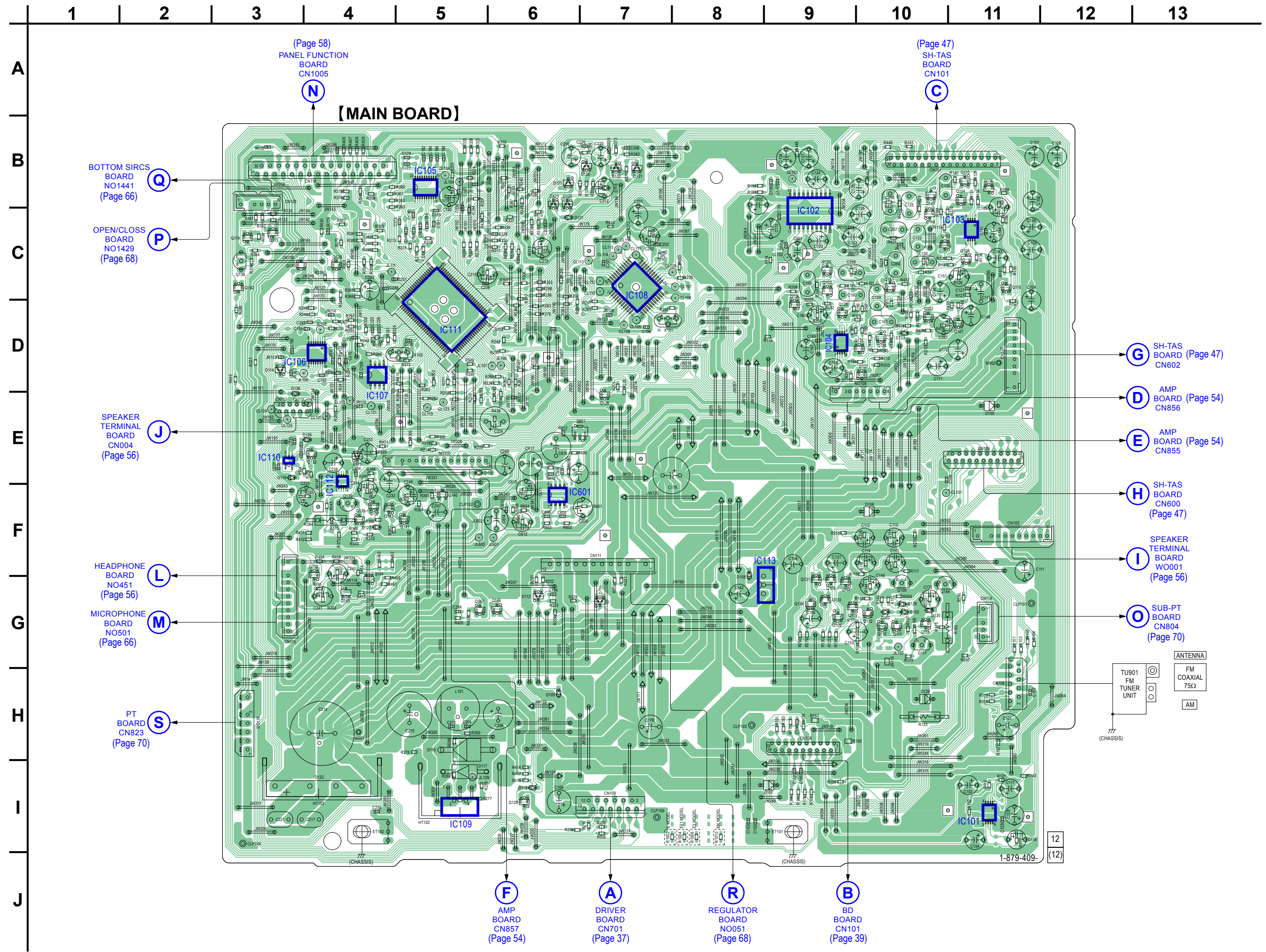


A MAIN BOARD (4/4) CN109 (Page 45)

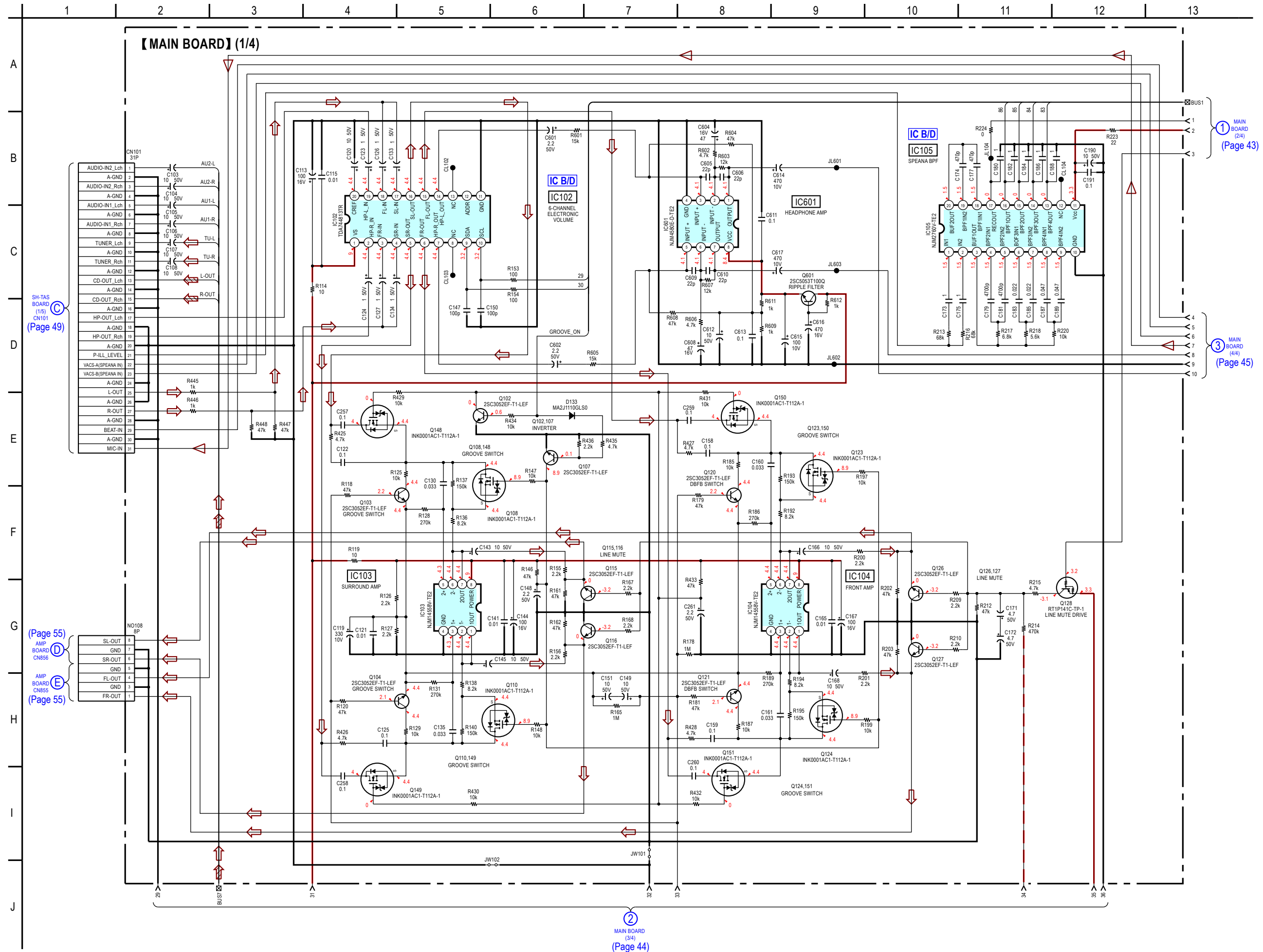
5-9. PRINTED WIRING BOARD – BD Section – • See page 29 for Circuit Boards Location. •  : Uses unleaded solder.



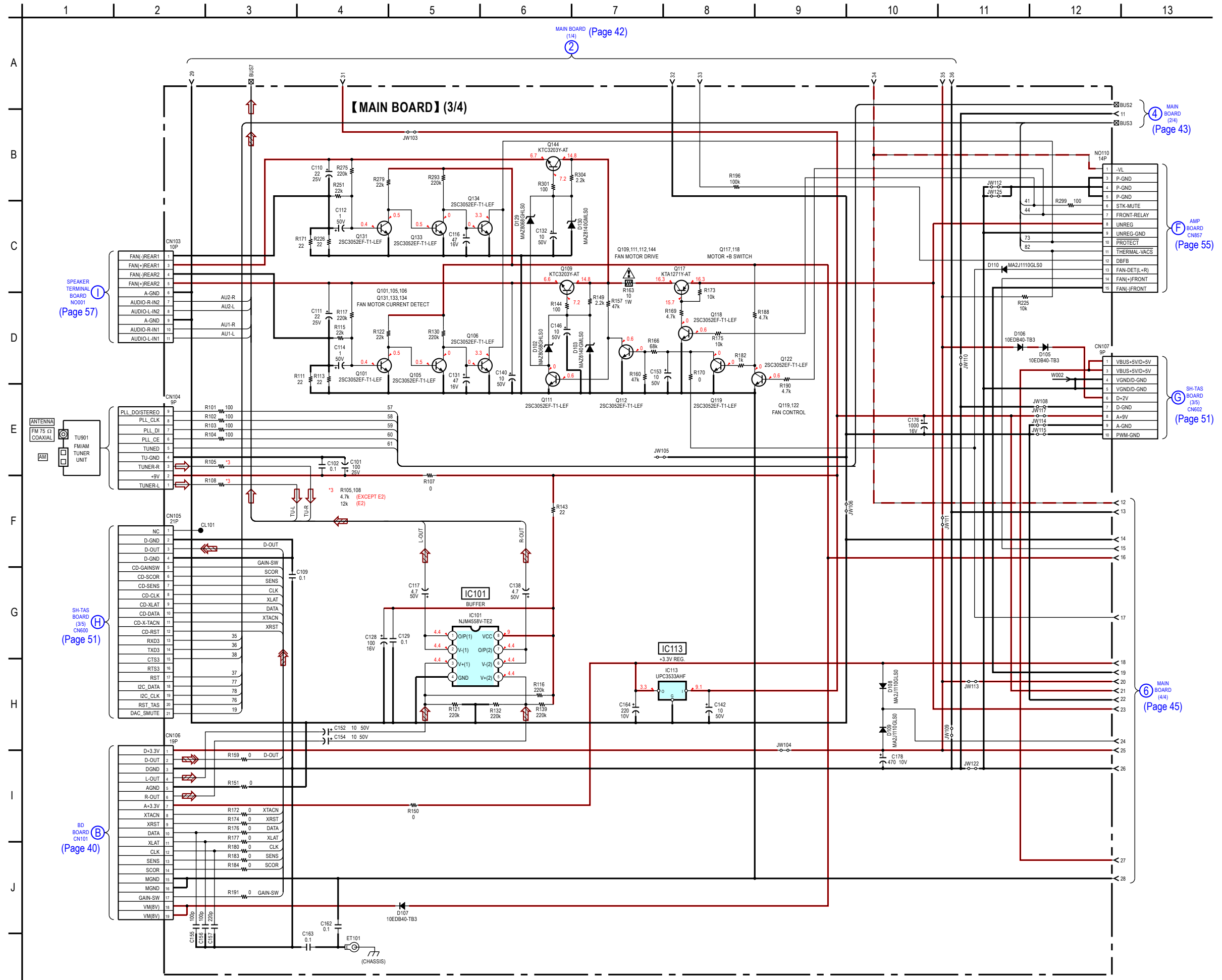
5-11. PRINTED WIRING BOARD – MAIN Section – • See page 29 for Circuit Boards Location. •  : Uses unleaded solder.



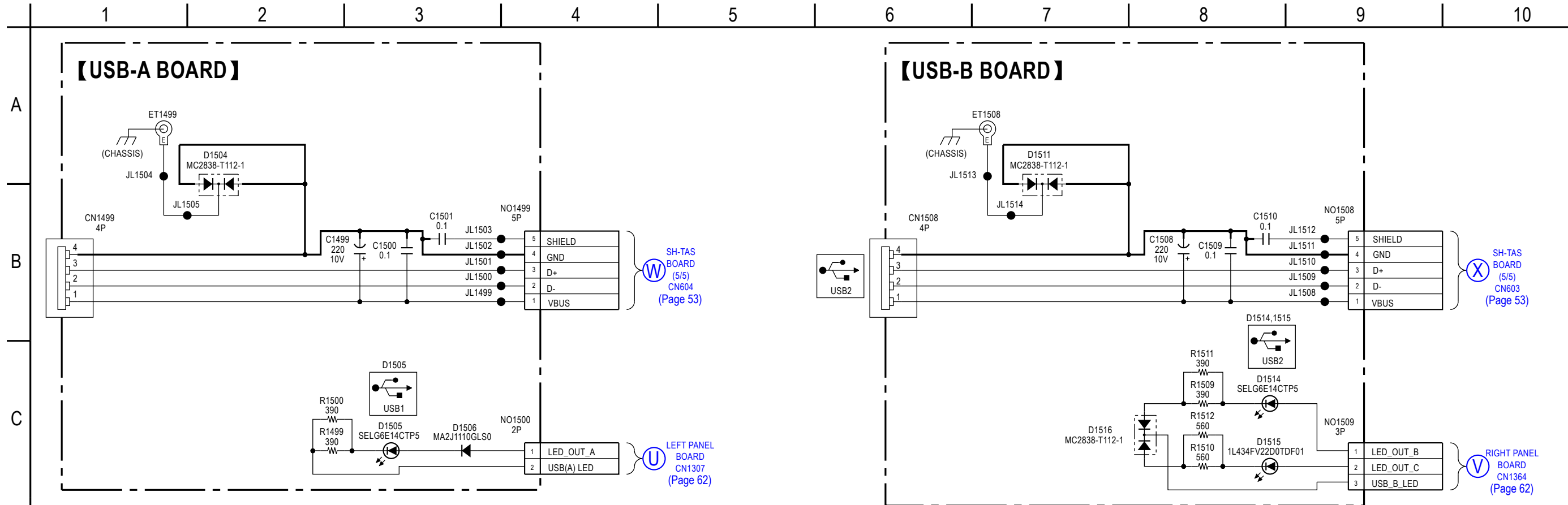
5-12. SCHEMATIC DIAGRAM – MAIN Section (1/4) – • See page 73 for IC Block Diagrams.




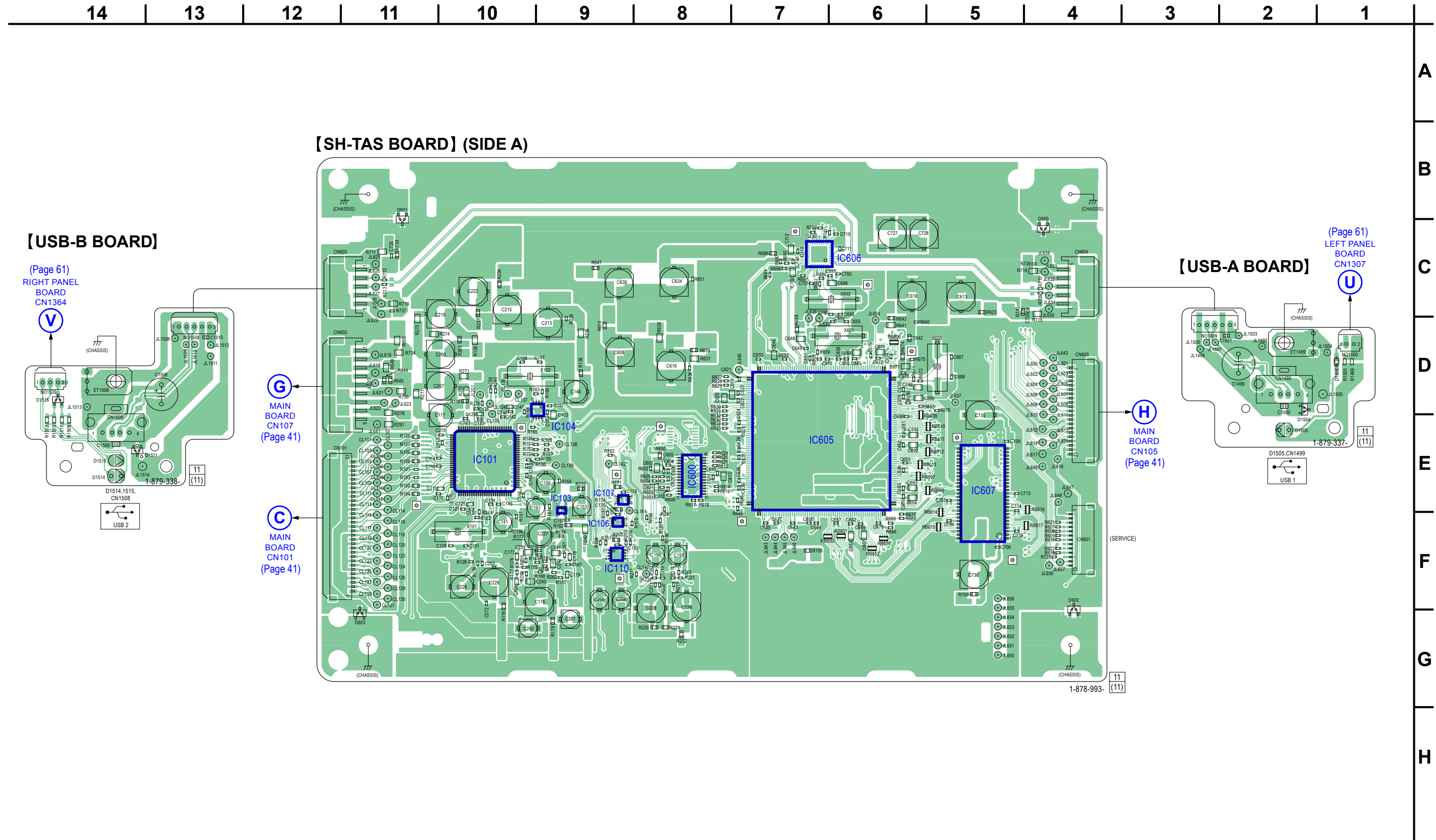
5-14. SCHEMATIC DIAGRAM – MAIN Section (3/4) –



5-16. SCHEMATIC DIAGRAM – USB Section –



5-17. PRINTED WIRING BOARDS – SH-TAS, USB Section (1/2) – • See page 29 for Circuit Boards Location. •  : Uses unleaded solder.

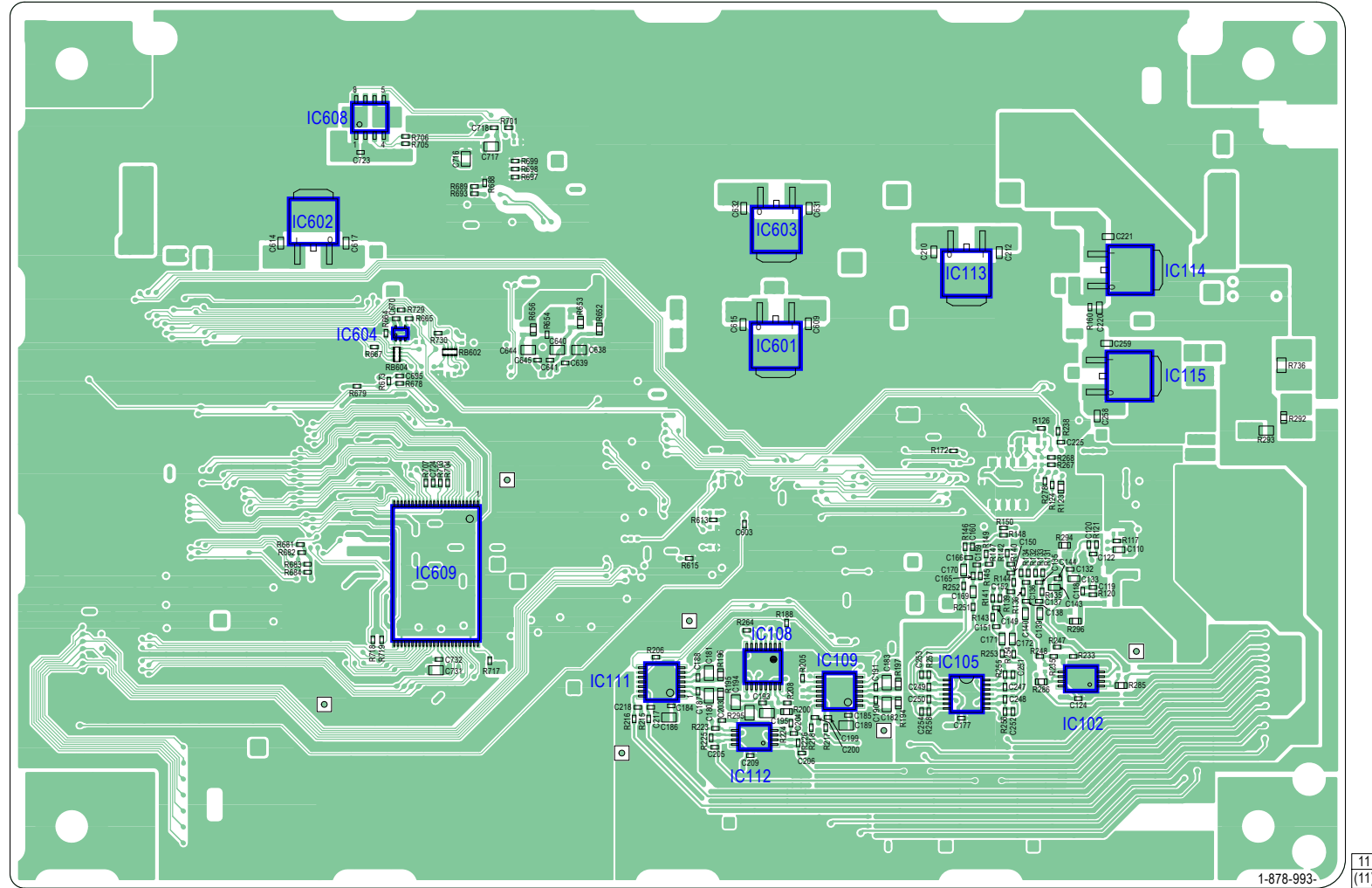


5-18. PRINTED WIRING BOARD – SH-TAS Section (2/2) – • See page 29 for Circuit Boards Location. •  : Uses unleaded solder.

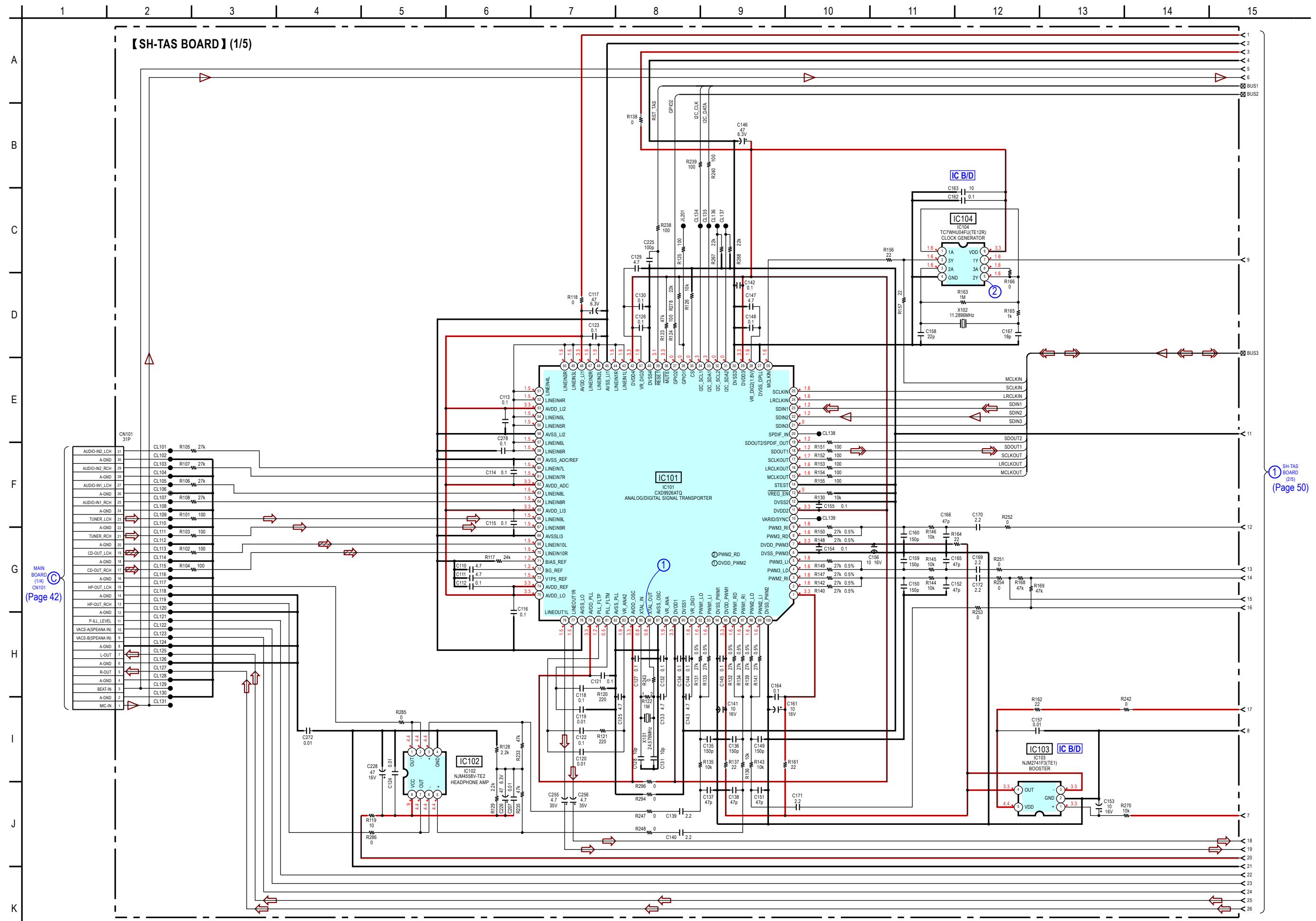
	1	2	3	4	5	6	7	8	9	10	11	12	13	14
--	---	---	---	---	---	---	---	---	---	----	----	----	----	----

A
B
C
D
E
F
G
H

[SH-TAS BOARD] (SIDE B)



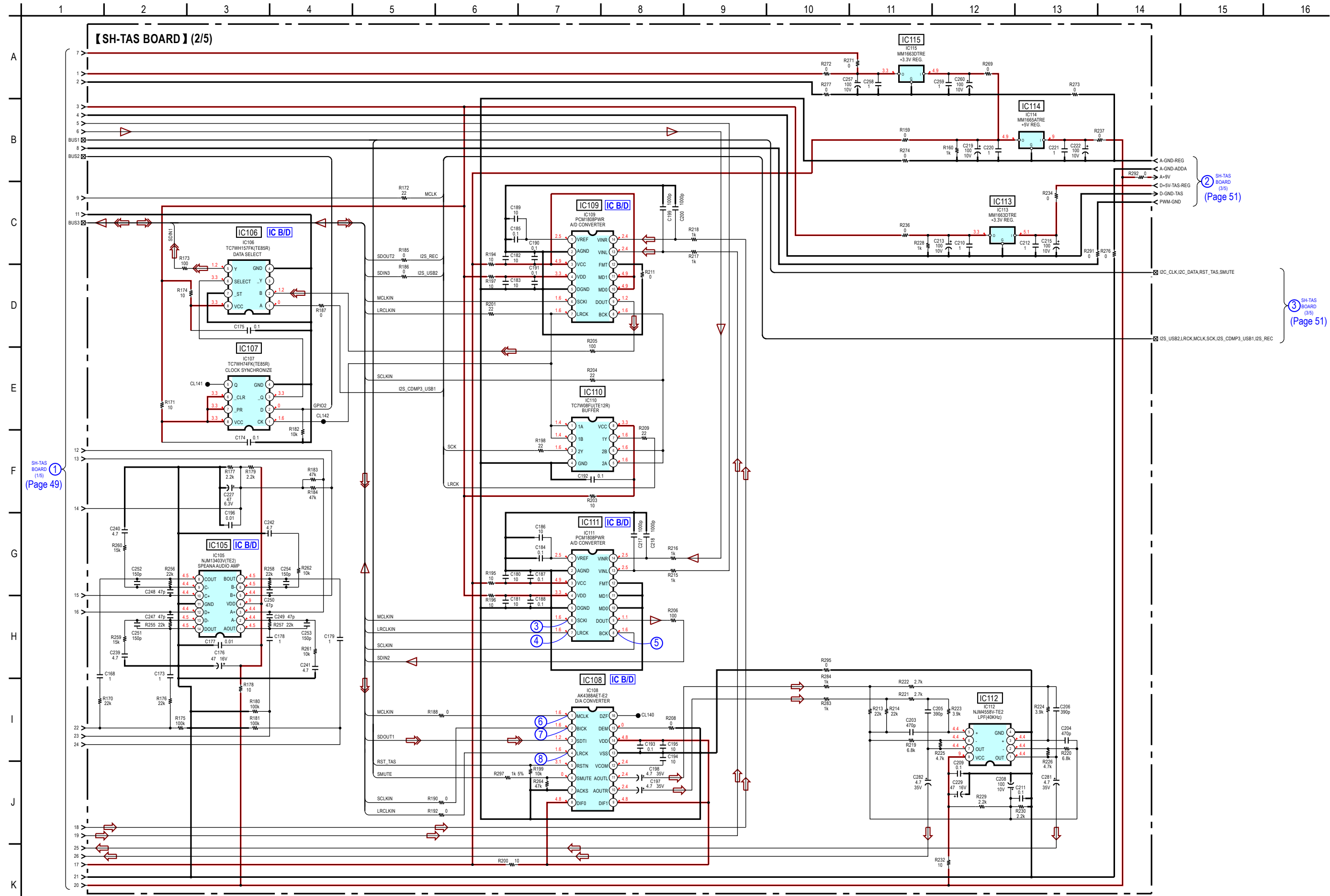
5-19. SCHEMATIC DIAGRAM – SH-TAS Section (1/5) – • See page 36 for waveforms. • See page 74 for IC Block Diagrams. • See page 82 for IC Pin Function Description of IC101.



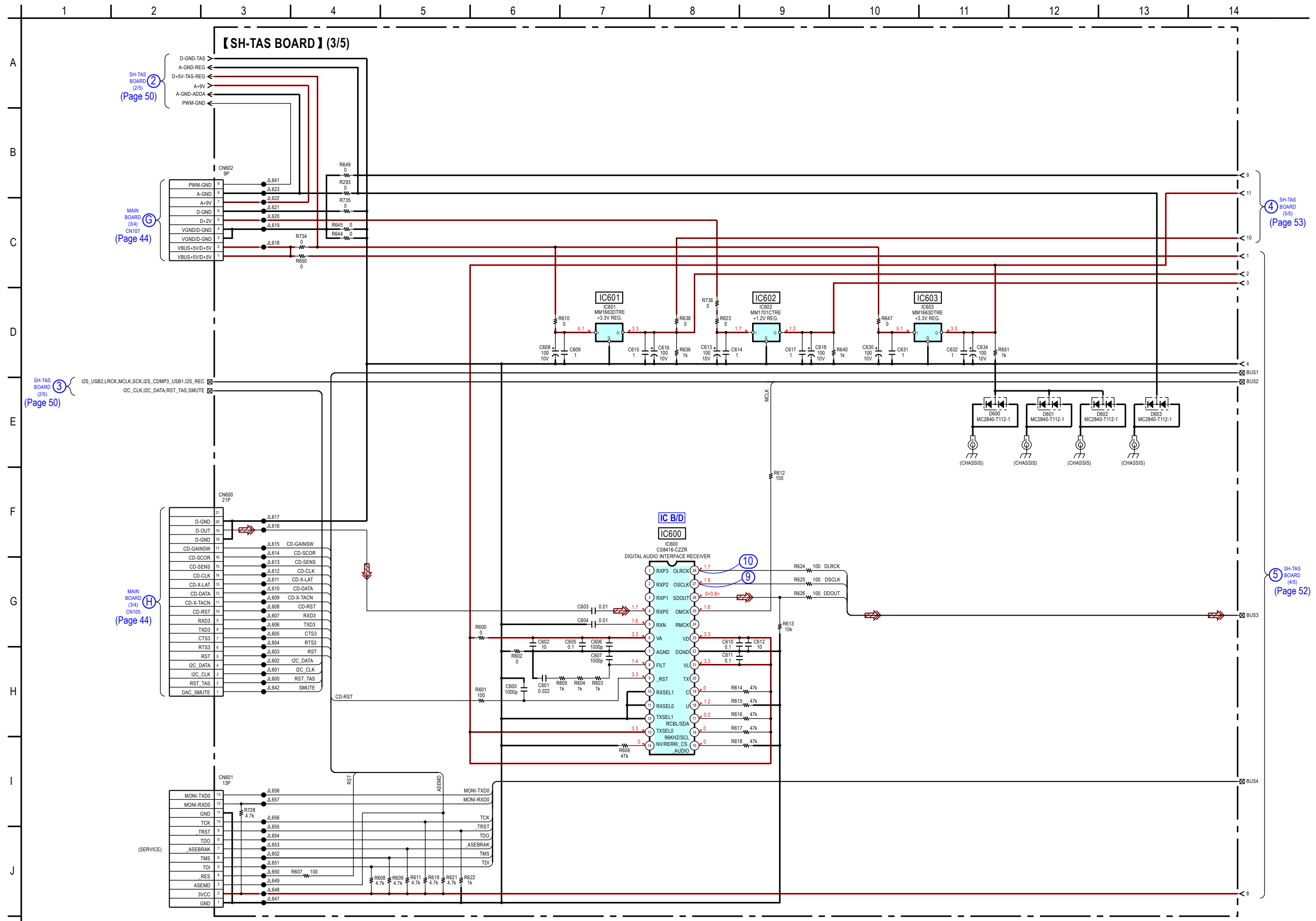
MAIN BOARD (1/4) CN101 (Page 42)

SH-TAS BOARD (2/5) (Page 50)

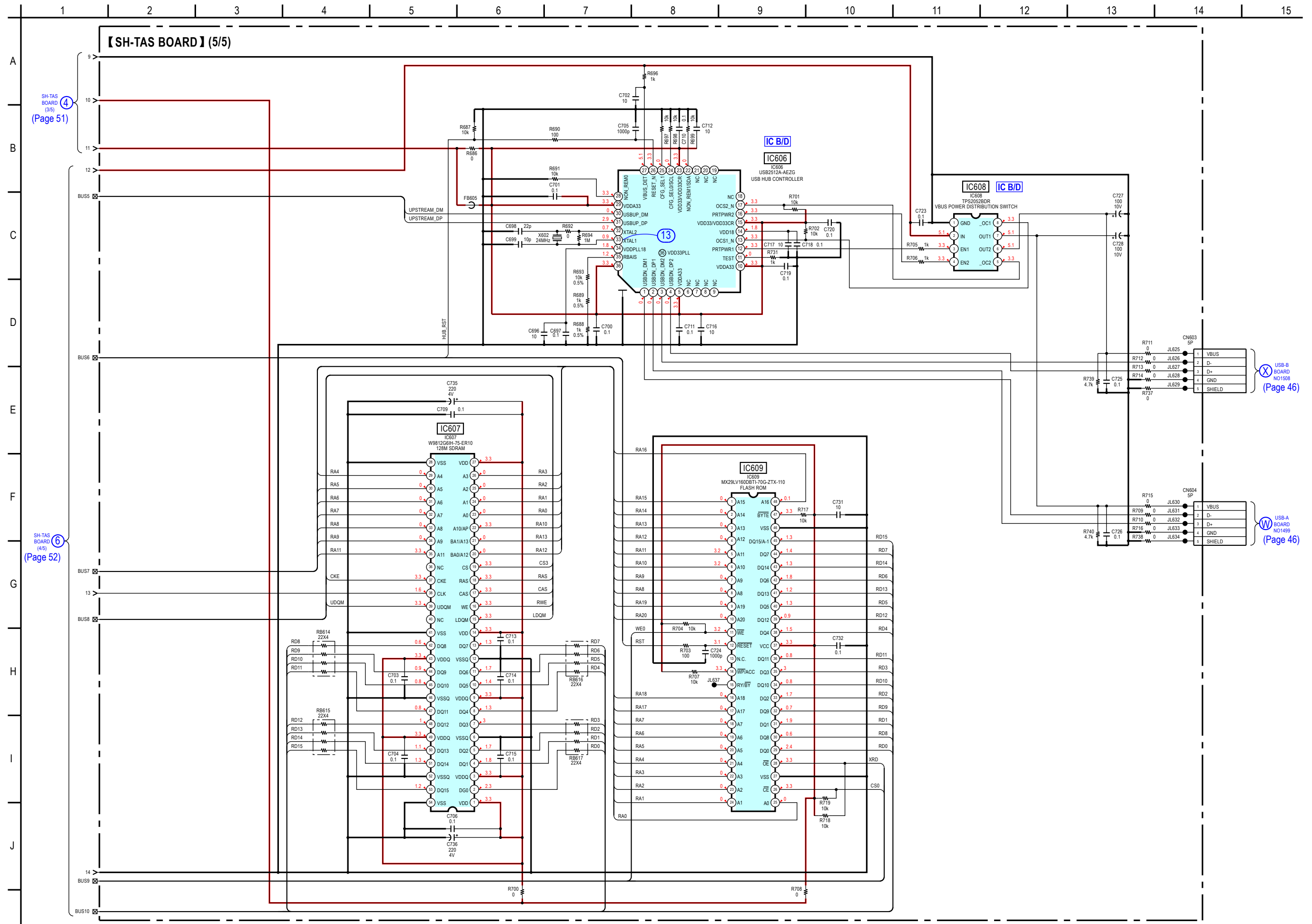
5-20. SCHEMATIC DIAGRAM – SH-TAS Section (2/5) – • See page 36 for waveforms. • See page 75 for IC Block Diagrams.



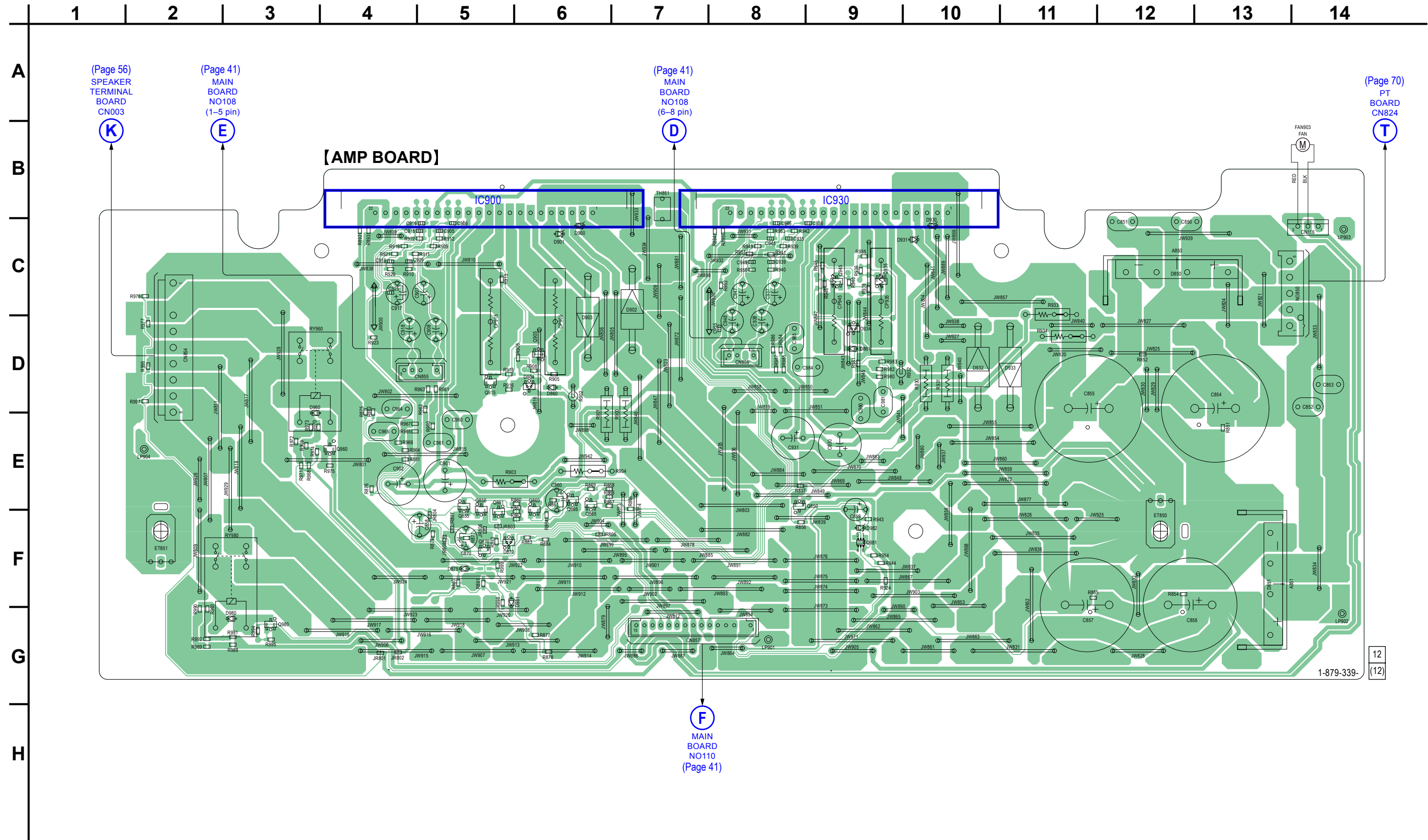
5-21. SCHEMATIC DIAGRAM – SH-TAS Section (3/5) – • See page 36 for waveforms. • See page 76 for IC Block Diagram.



5-23. SCHEMATIC DIAGRAM – SH-TAS Section (5/5) – • See page 36 for waveform. • See page 76, 77 for IC Block Diagrams.



5-24. PRINTED WIRING BOARD – AMP Section – • See page 29 for Circuit Boards Location. •  : Uses unleaded solder.



(Page 56)
SPEAKER
TERMINAL
BOARD
CN003
(K)

(Page 41)
MAIN
BOARD
NO108
(1-5 pin)
(E)

(Page 41)
MAIN
BOARD
NO108
(6-8 pin)
(D)

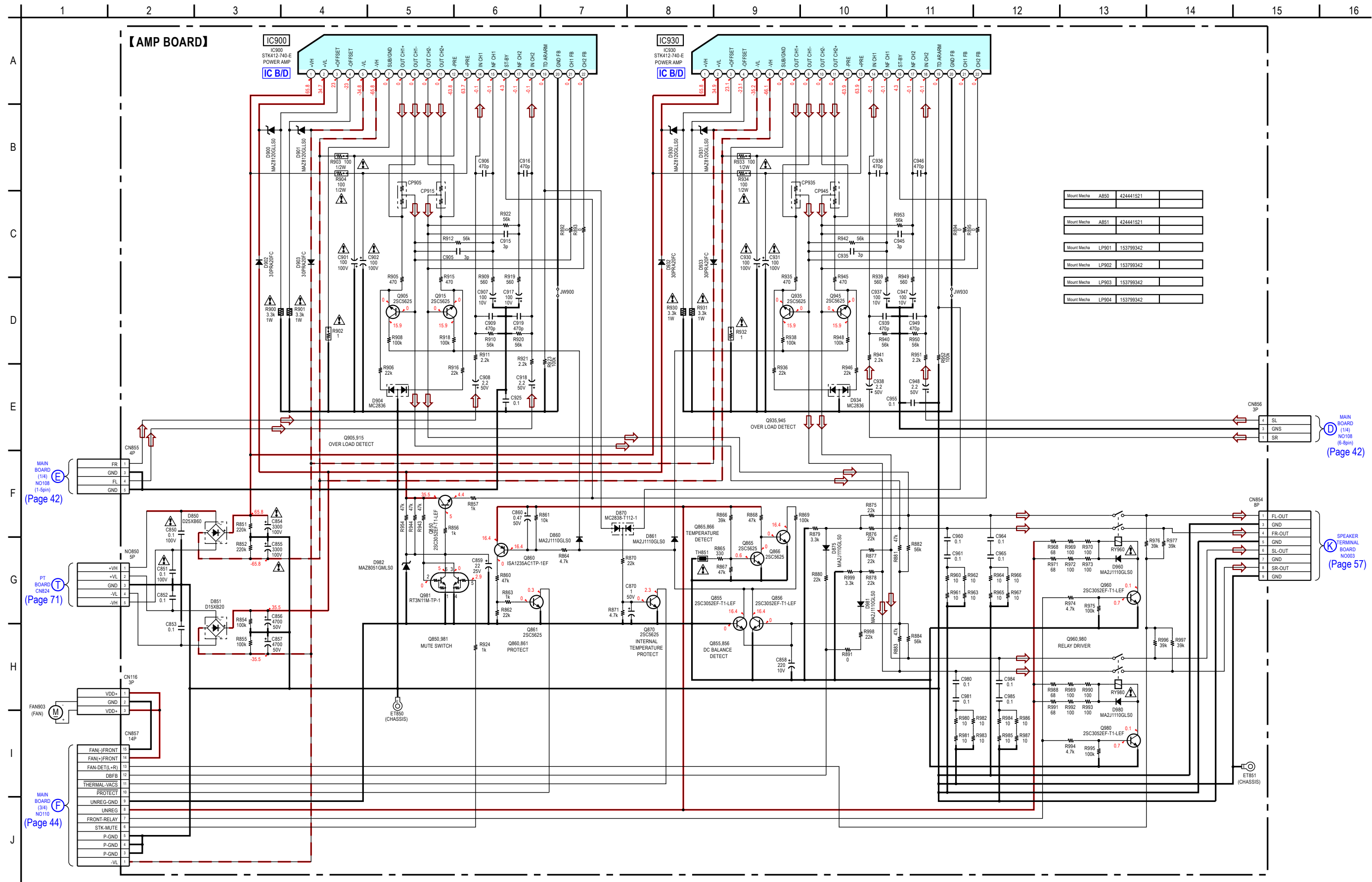
(Page 70)
PT
BOARD
CN824
(T)

(F)
MAIN
BOARD
NO110
(Page 41)

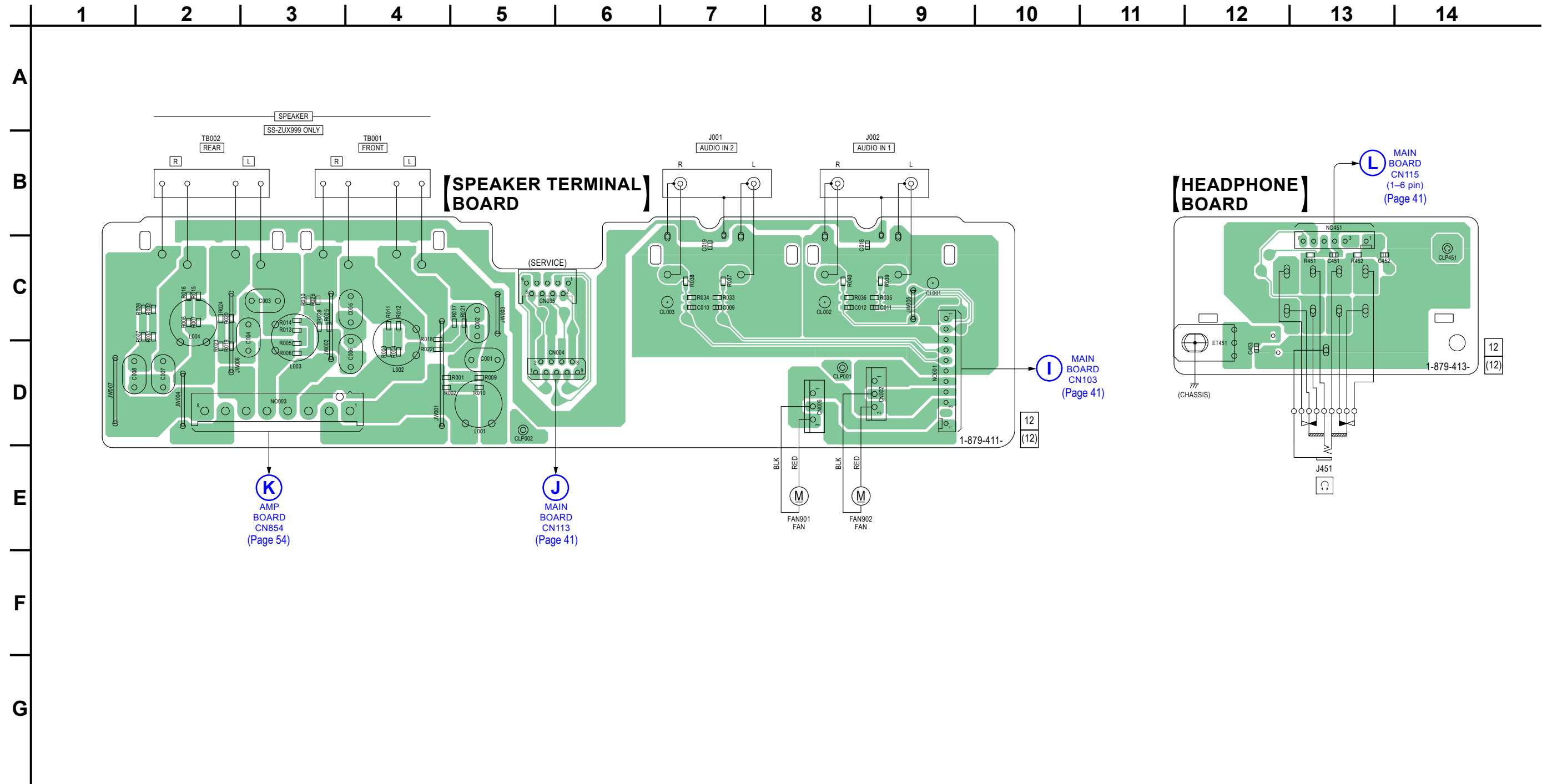
12
(12)

1-879-339-

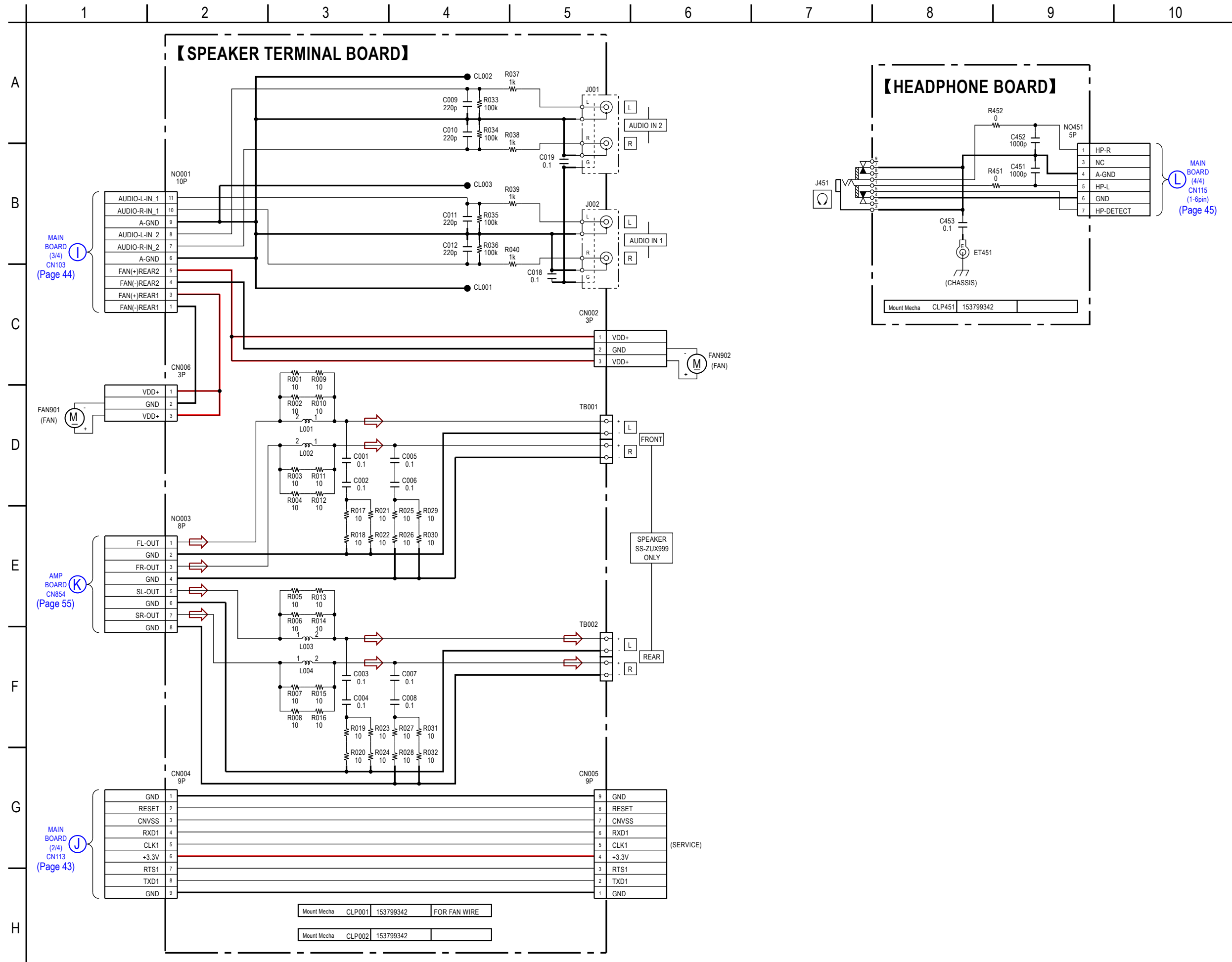
5-25. SCHEMATIC DIAGRAM – AMP Section – • See page 77 for IC Block Diagrams.



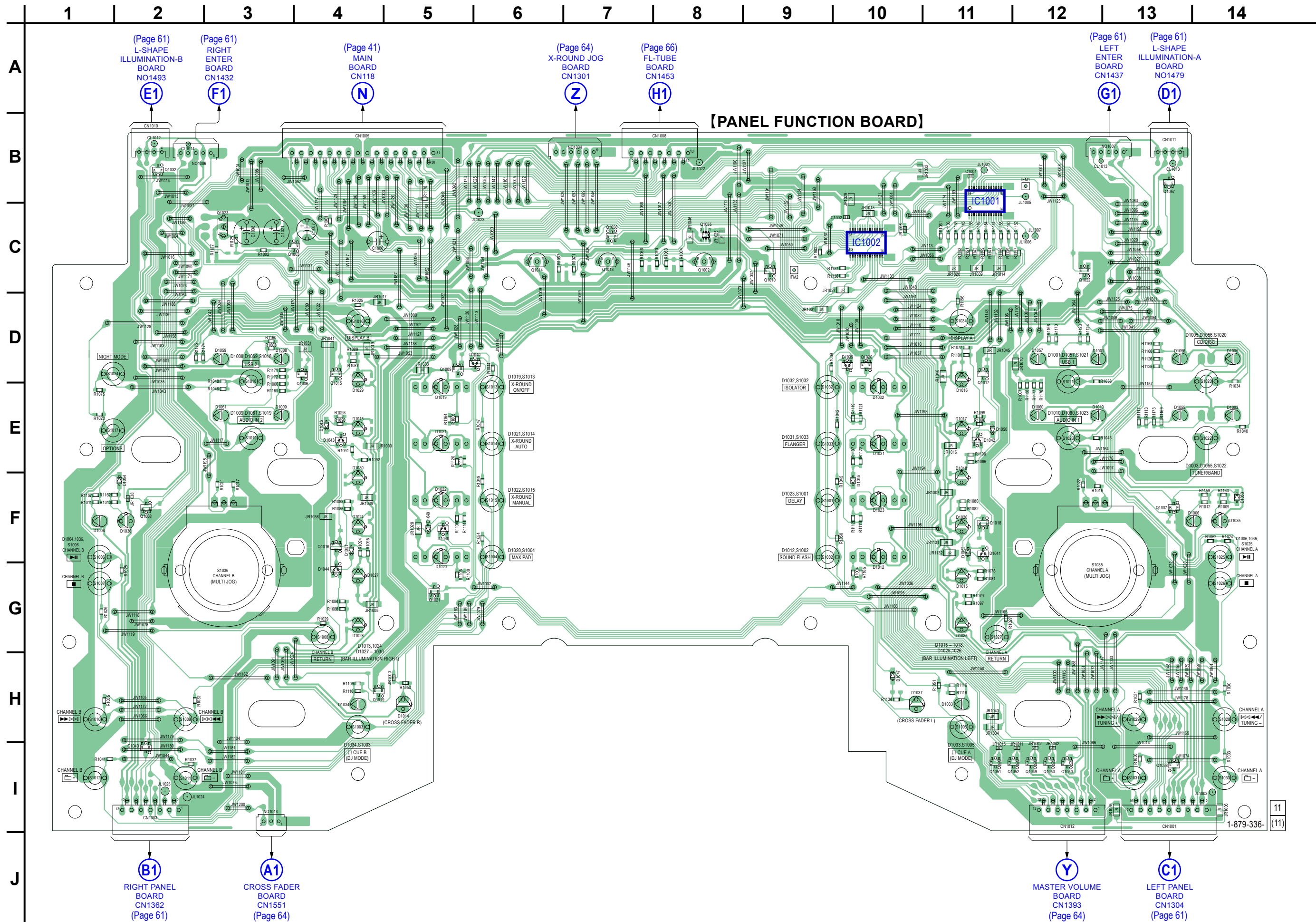
5-26. PRINTED WIRING BOARDS – HEADPHONE, SPEAKER TERMINAL Section – • See page 29 for Circuit Boards Location. •  : Uses unleaded solder.



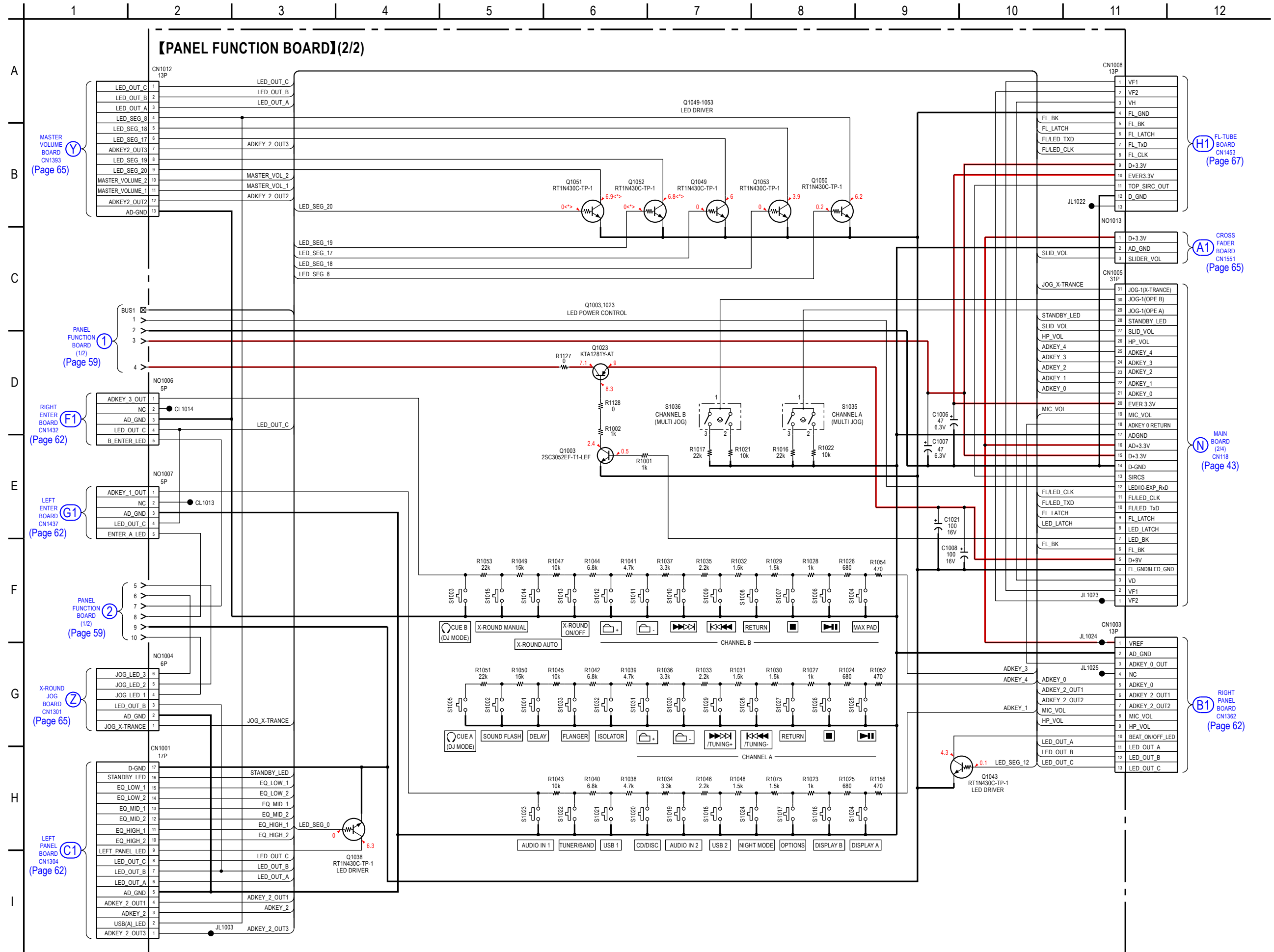
5-27. SCHEMATIC DIAGRAM – HEADPHONE, SPEAKER TERMINAL Section –



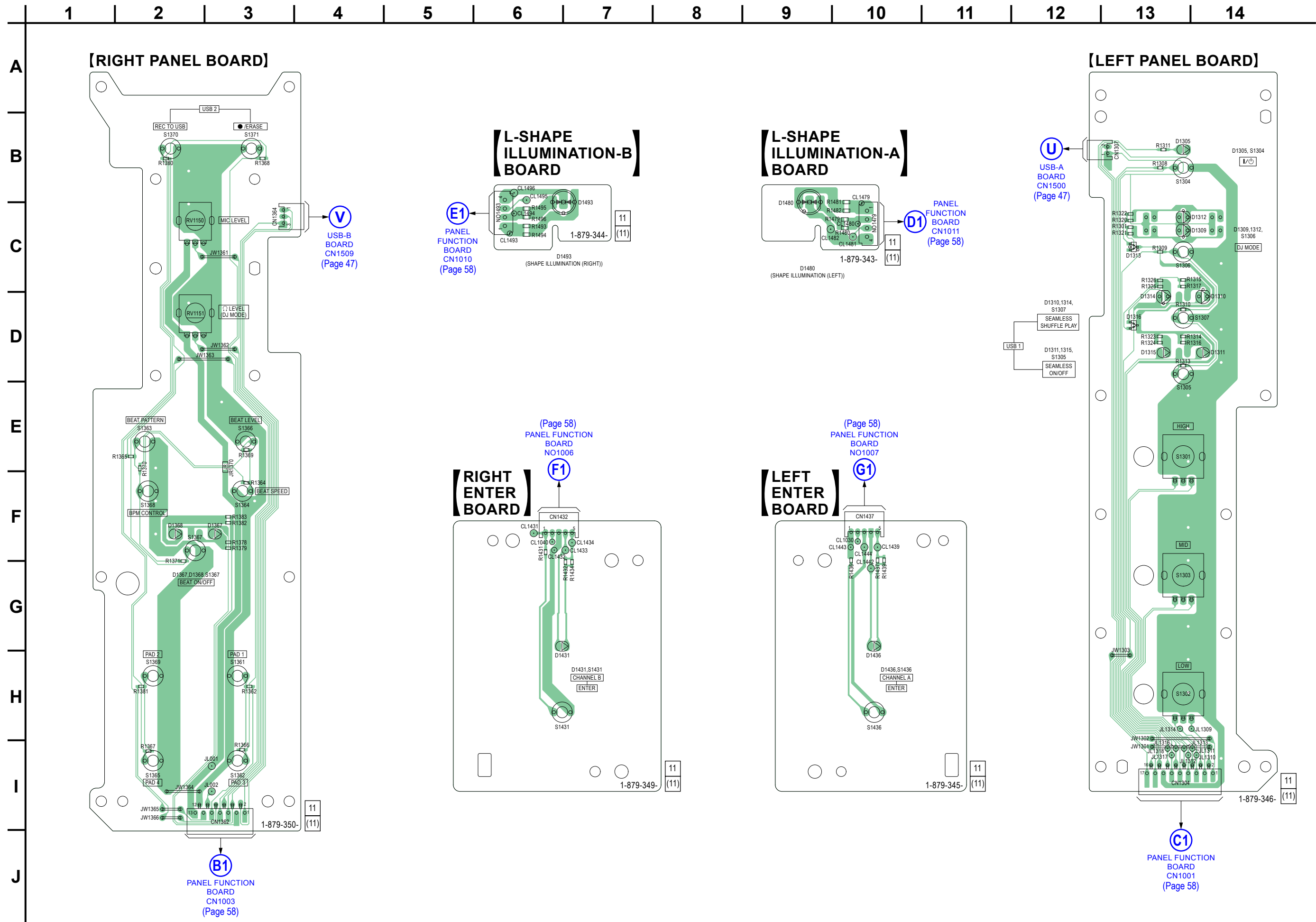
5-28. PRINTED WIRING BOARD – PANEL FUNCTION Section – • See page 29 for Circuit Boards Location. •  : Uses unleaded solder.



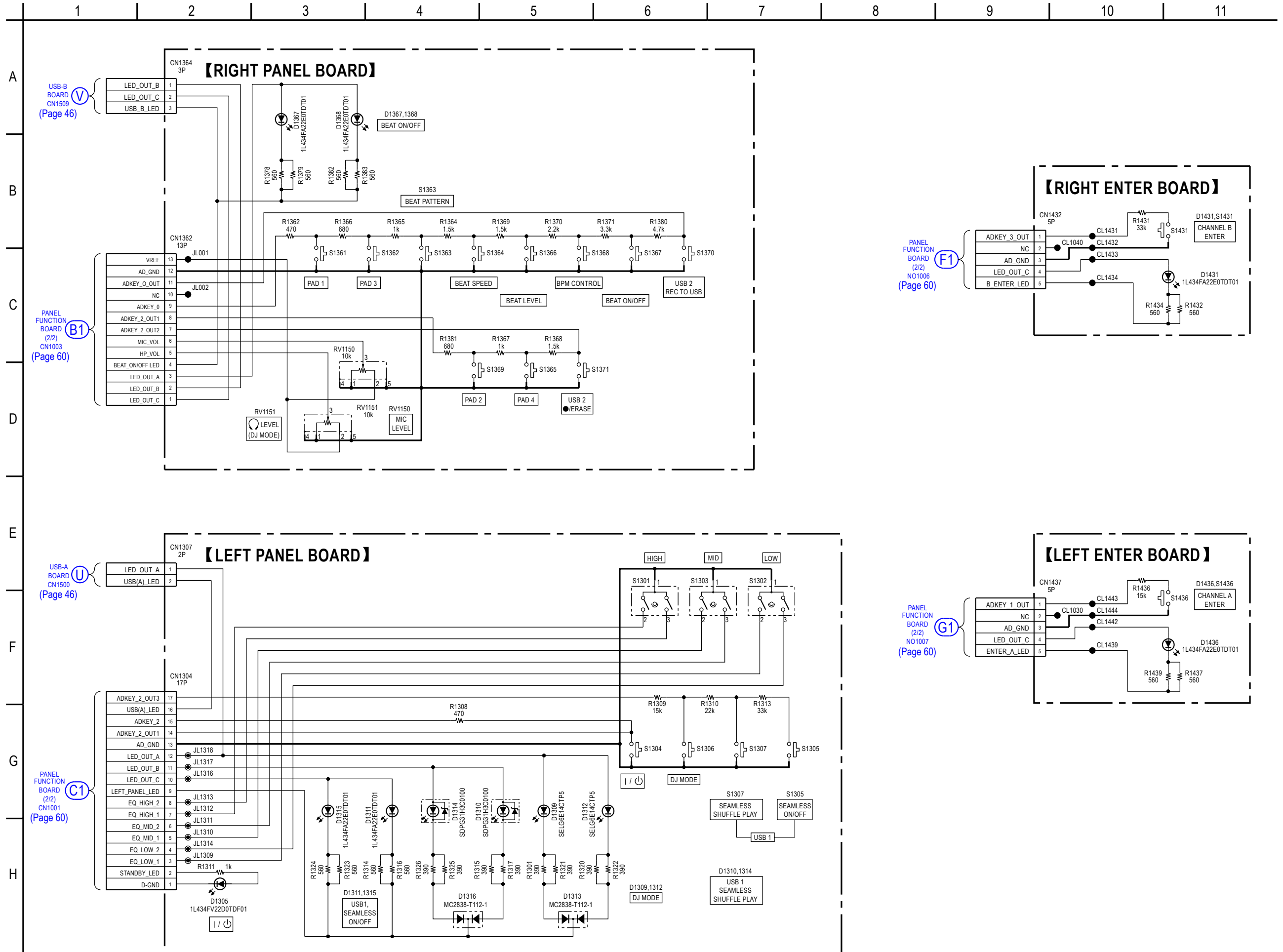
5-30. SCHEMATIC DIAGRAM – PANEL FUNCTION Section (2/2) –



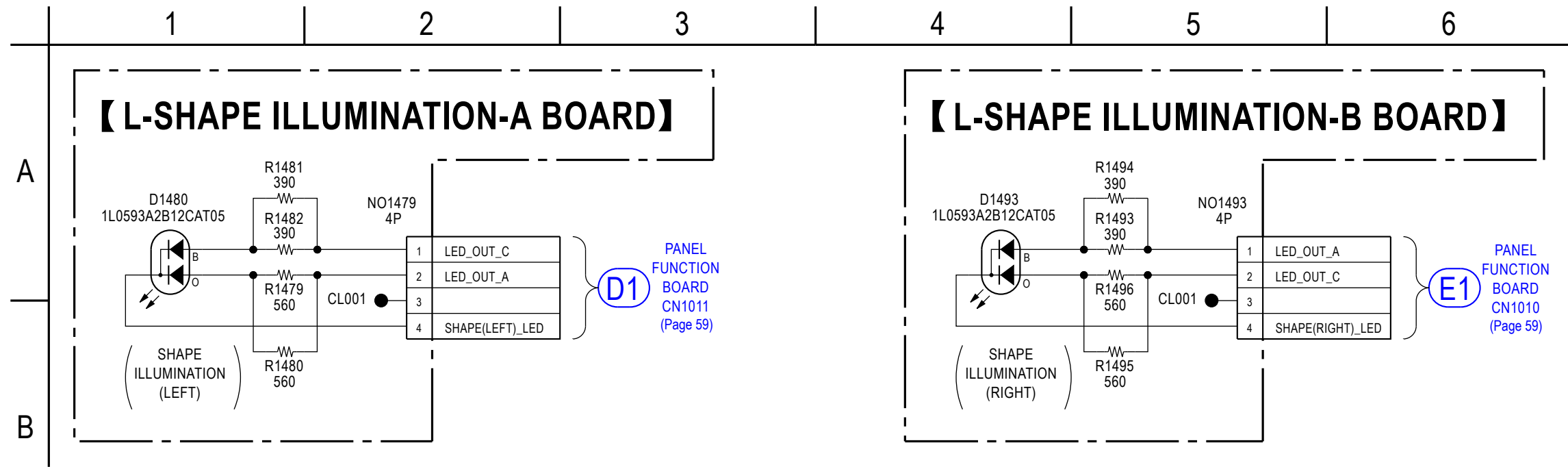
5-31. PRINTED WIRING BOARDS – LEFT/RIGHT ENTER, LEFT/RIGHT PANEL, L-SHAPE ILLUMINATION-A/B Section – • See page 29 for Circuit Boards Location. •  : Uses unleaded solder.



5-32. SCHEMATIC DIAGRAM – LEFT/RIGHT ENTER, LEFT/RIGHT PANEL Section –



5-33. SCHEMATIC DIAGRAM – L-SHAPE ILLUMINATION-A/B Section –

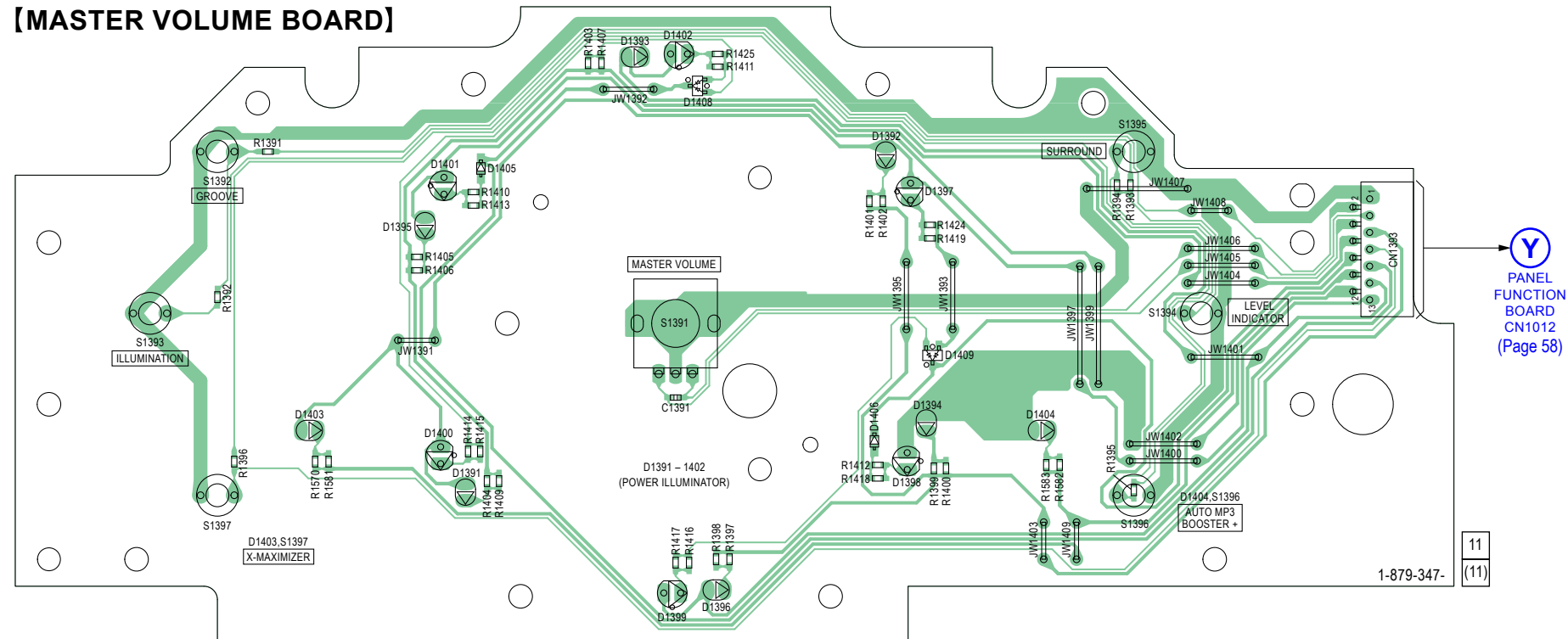


5-34. PRINTED WIRING BOARDS – CROSS FADER, MASTER VOLUME, X-ROUND JOG Section – • See page 29 for Circuit Boards Location. •  : Uses unleaded solder.

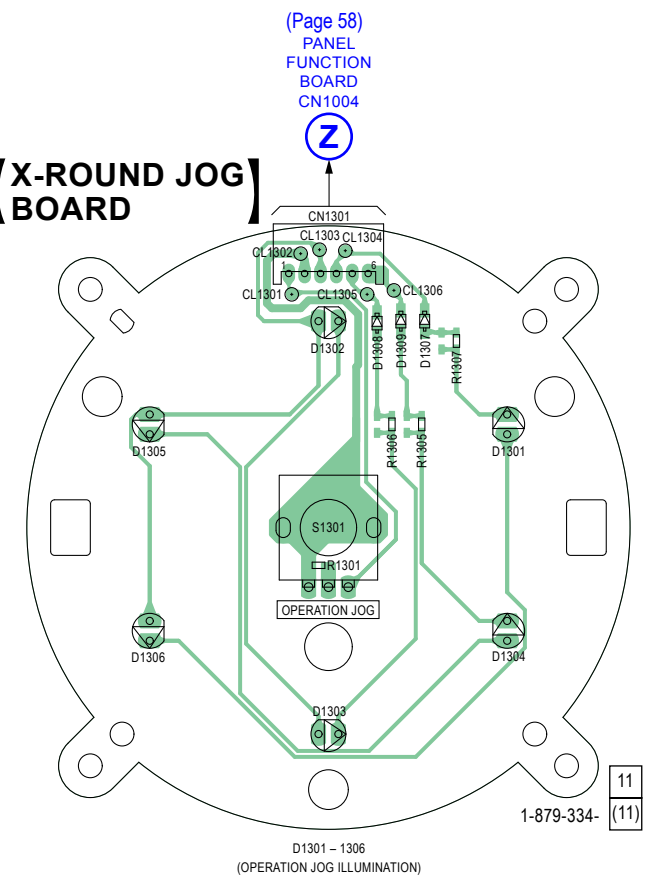
	1	2	3	4	5	6	7	8	9	10	11	12	13	14
--	---	---	---	---	---	---	---	---	---	----	----	----	----	----

A
B
C
D
E
F
G
H
I

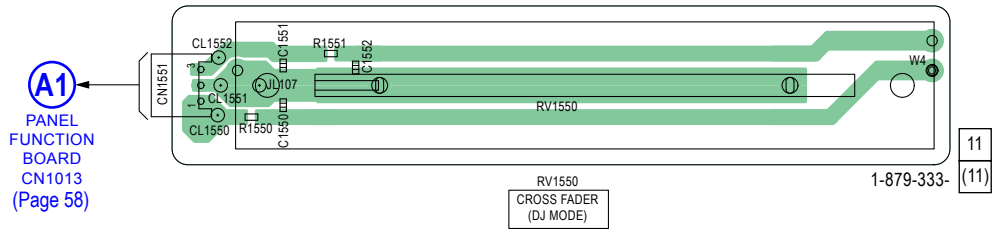
[MASTER VOLUME BOARD]



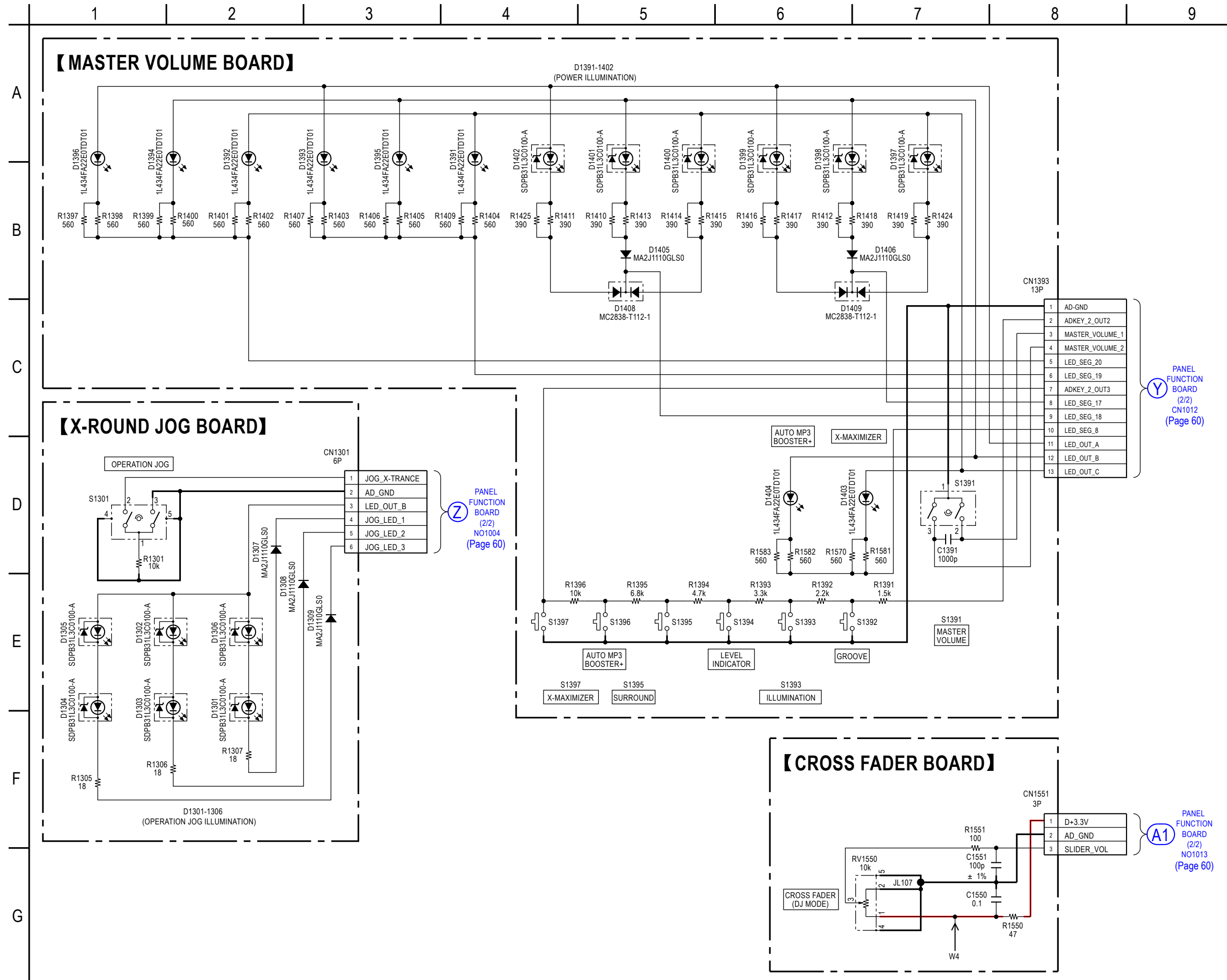
[X-ROUND JOG BOARD]



[CROSS FADER BOARD]



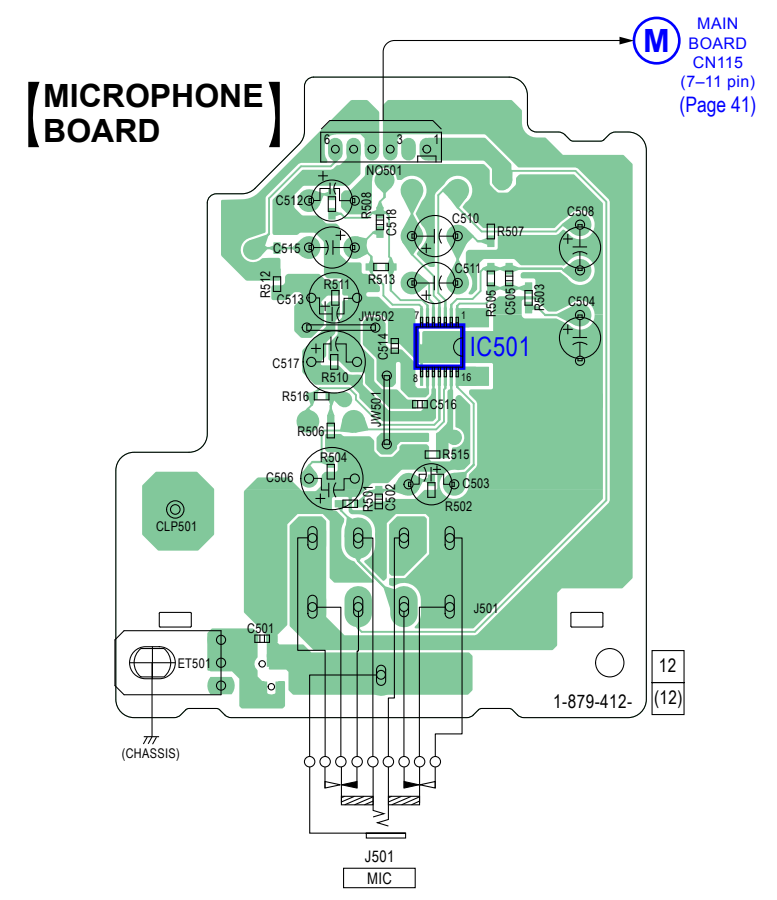
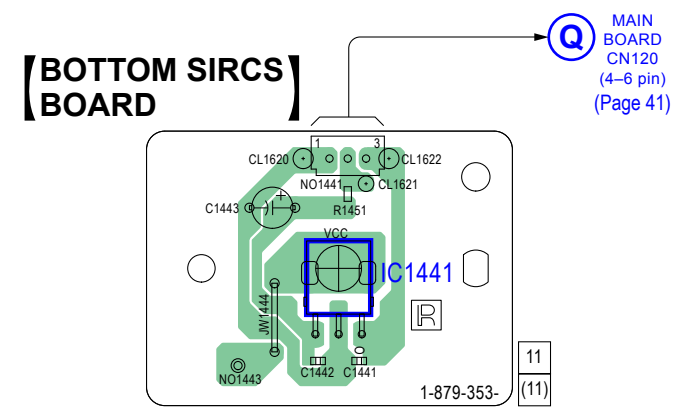
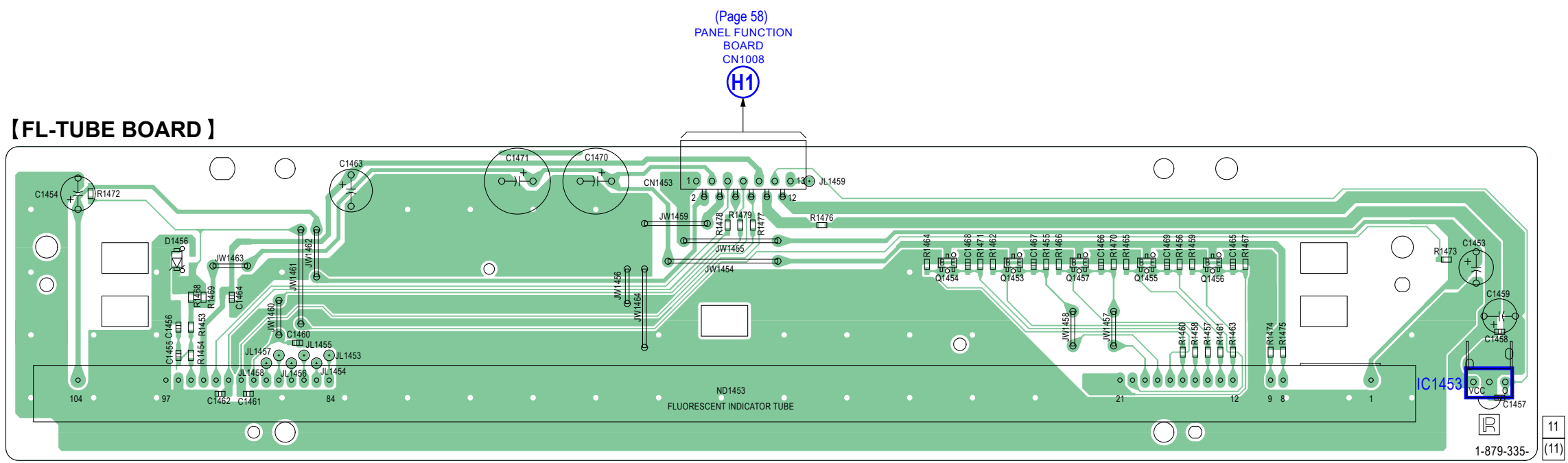
5-35. SCHEMATIC DIAGRAM – CROSS FADER, MASTER VOLUME, X-ROUND JOG Section –



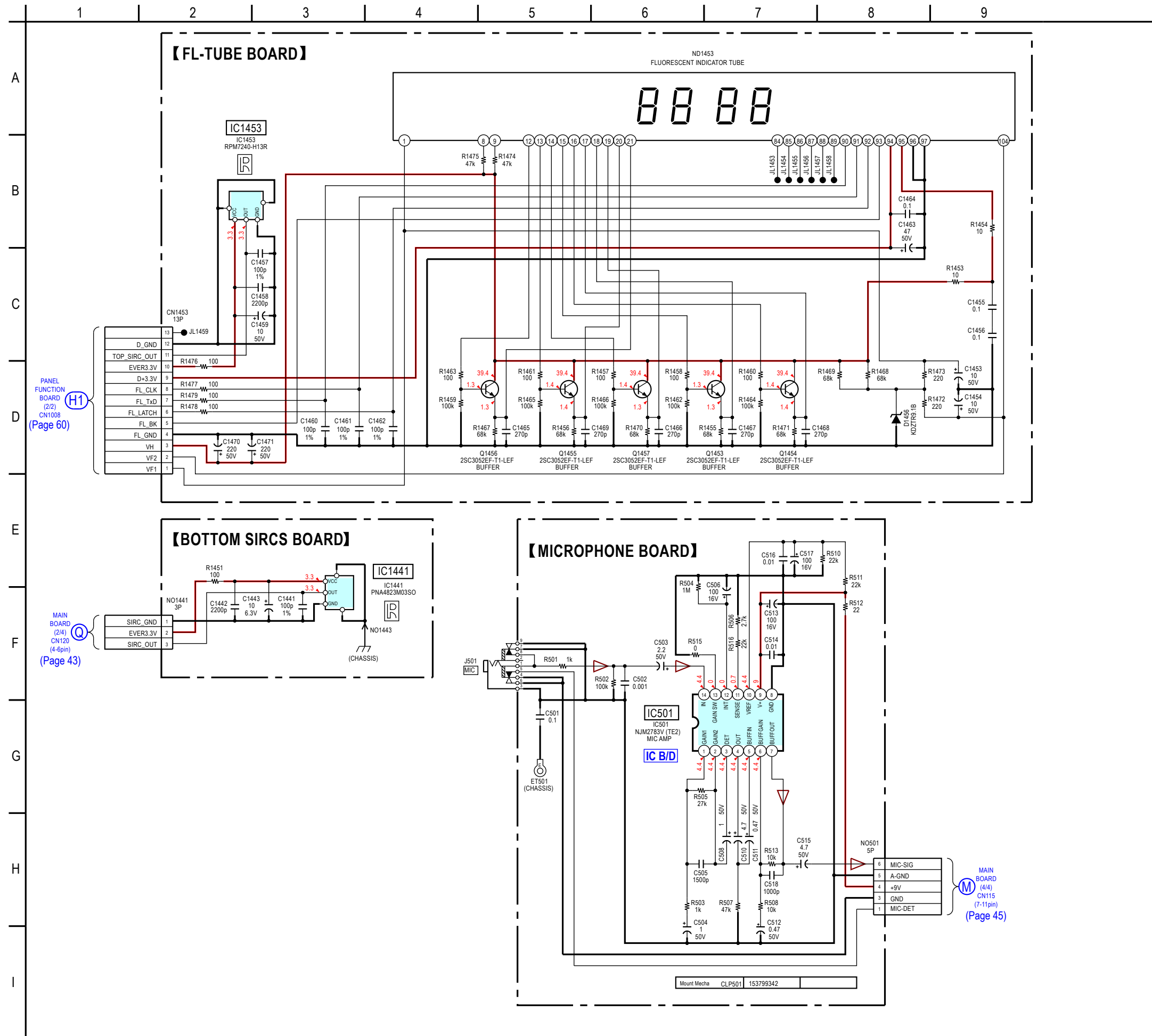
5-36. PRINTED WIRING BOARDS – BOTTOM SIRCS, FL-TUBE, MICROPHONE Section – • See page 29 for Circuit Boards Location. •  : Uses unleaded solder.

	1	2	3	4	5	6	7	8	9	10	11	12	13	14
--	---	---	---	---	---	---	---	---	---	----	----	----	----	----

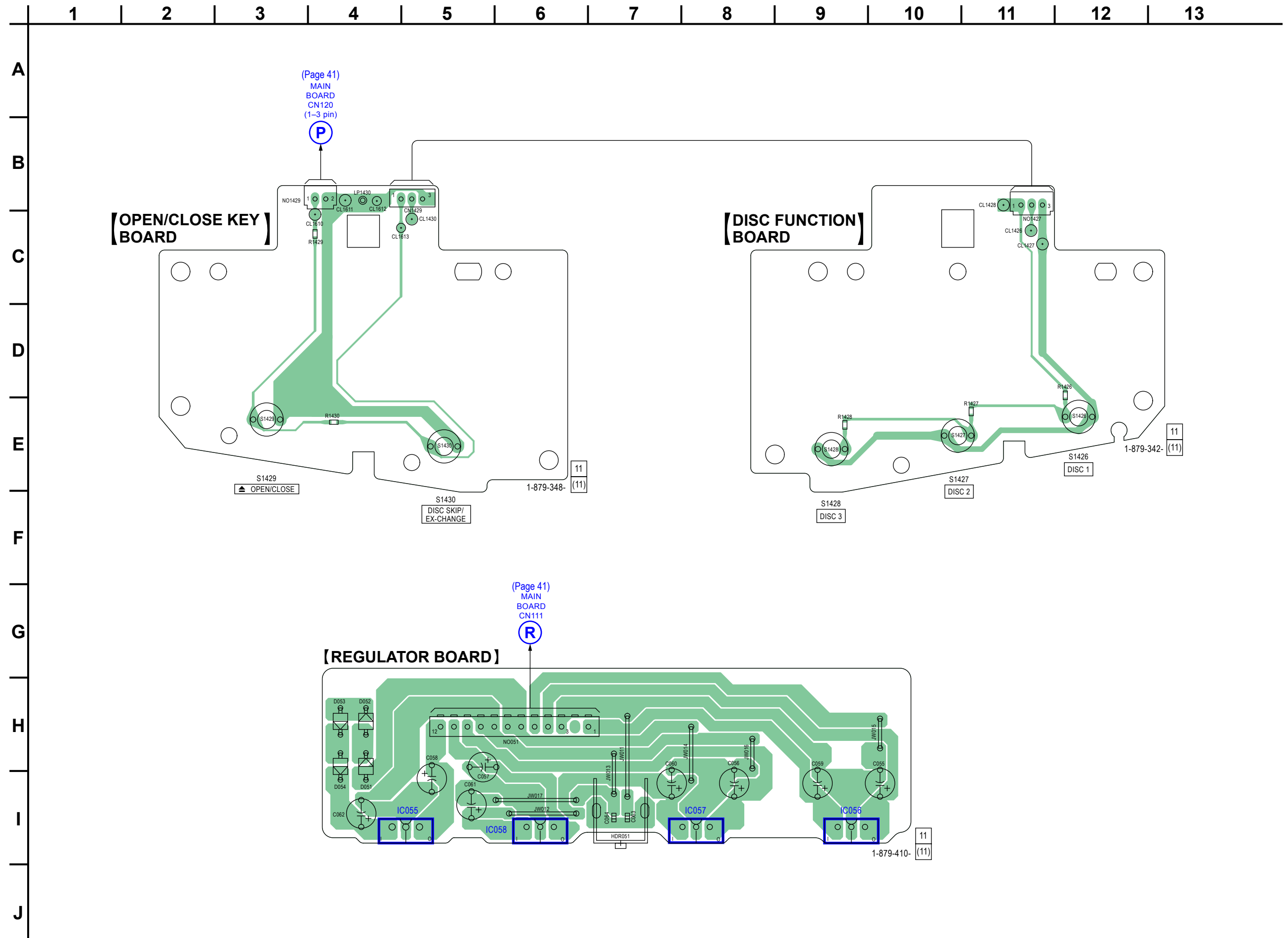
A
B
C
D
E
F
G
H
I
J



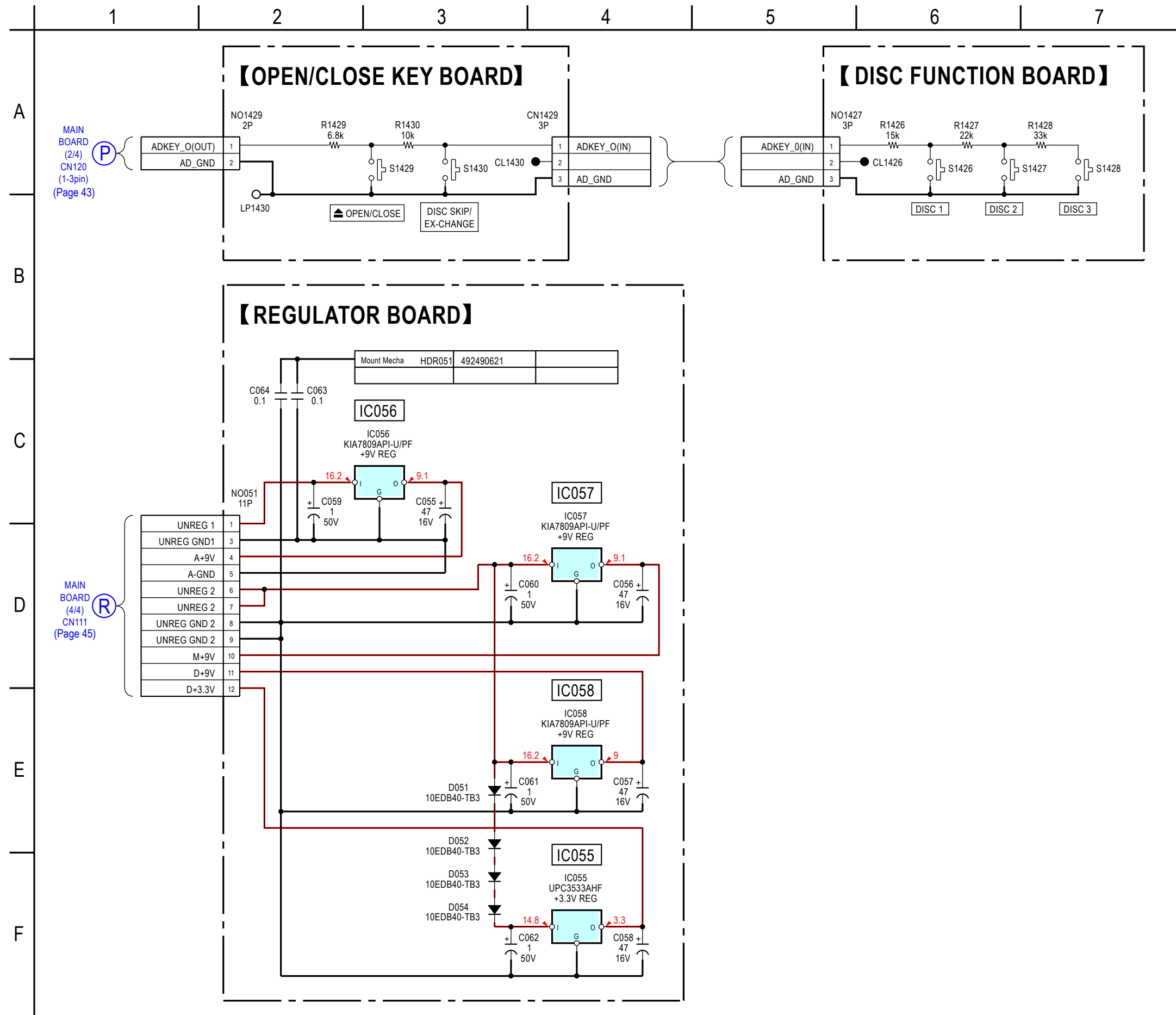
5-37. SCHEMATIC DIAGRAM – BOTTOM SIRCS, FL-TUBE, MICROPHONE Section – • See page 79 for IC Block Diagram.




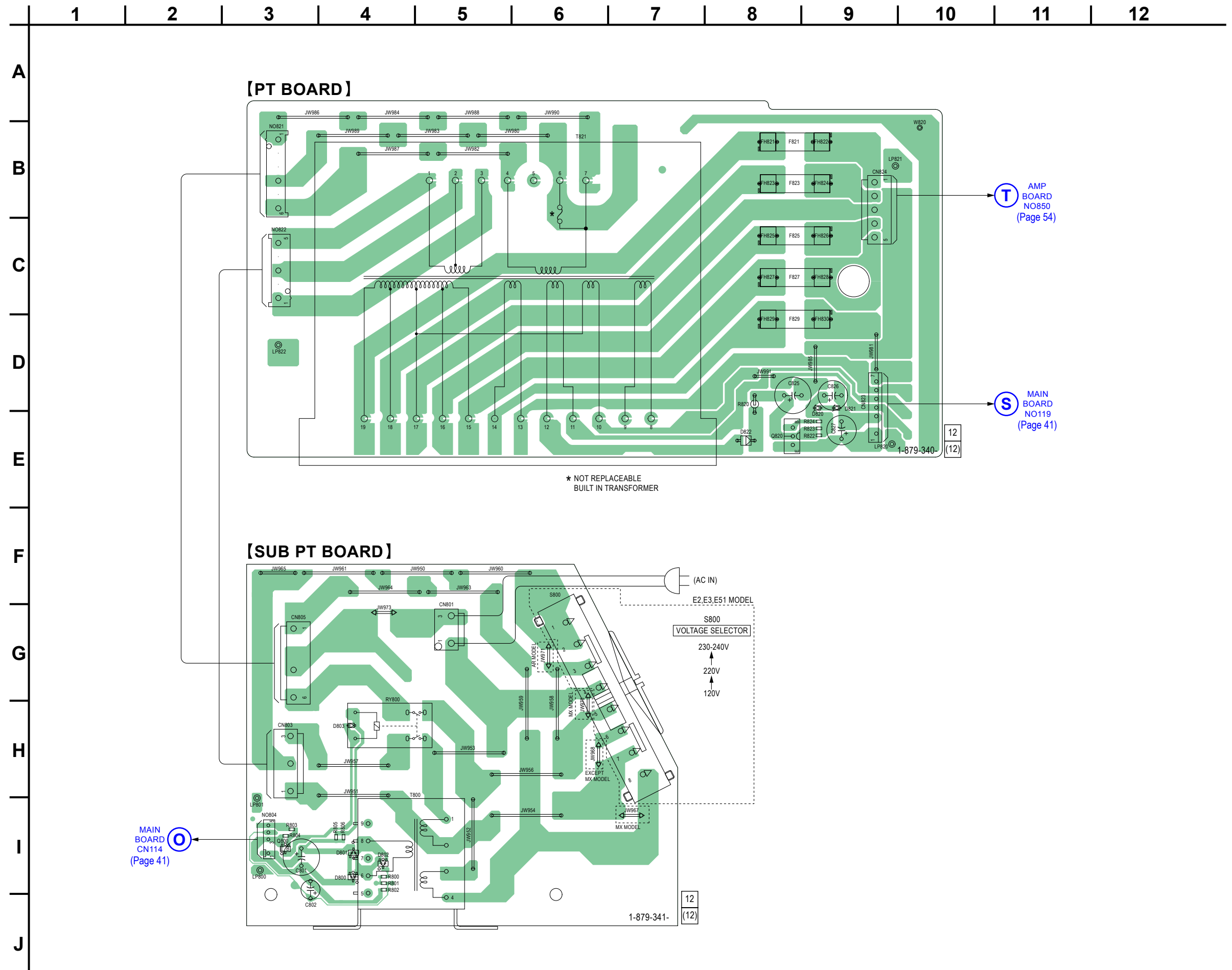
5-38. PRINTED WIRING BOARDS – DISC FUNCTION, OPEN/CLOSE KEY, REGULATOR Section – • See page 29 for Circuit Boards Location. •  : Uses unleaded solder.



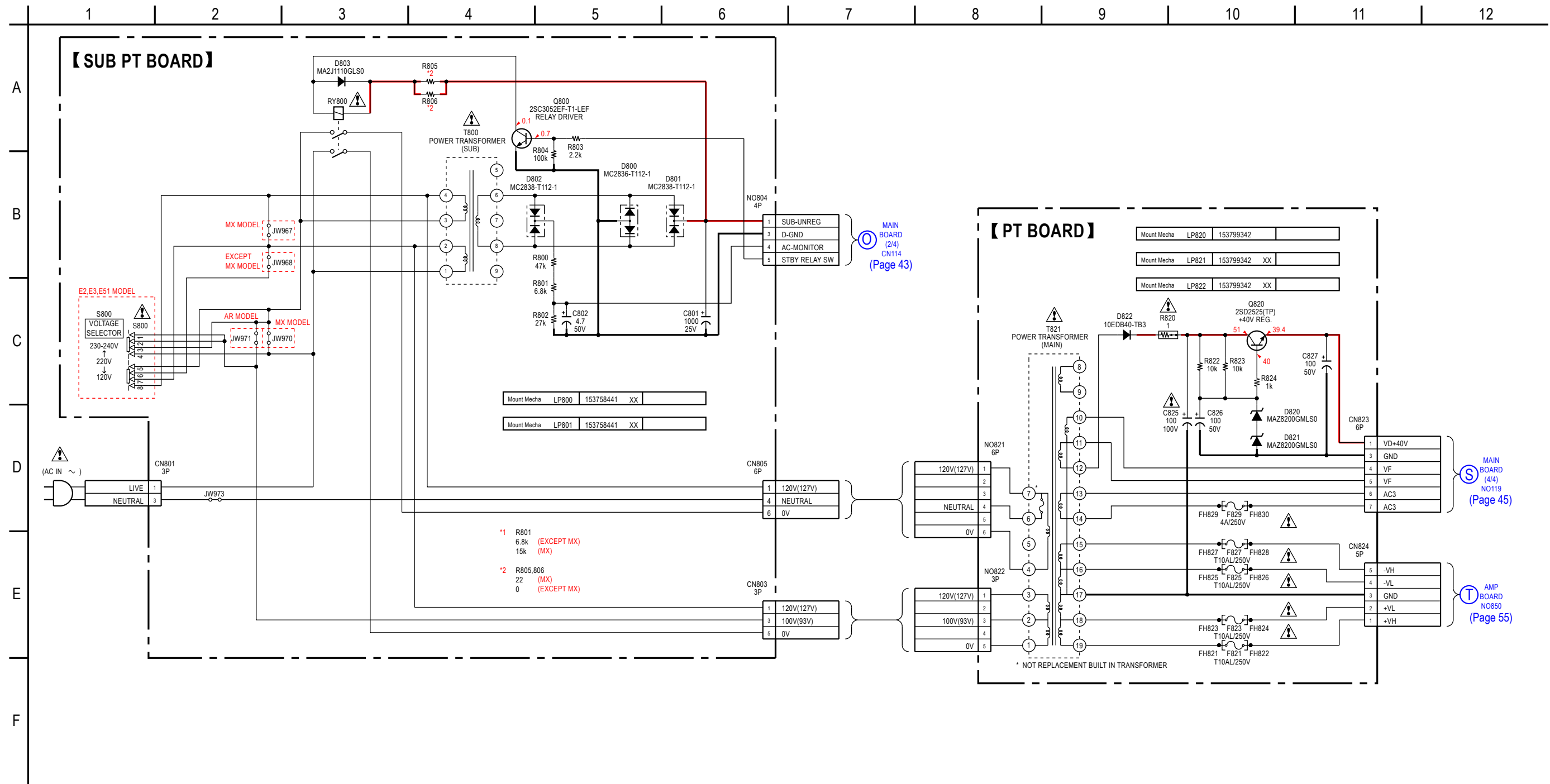
5-39. SCHEMATIC DIAGRAM – DISC FUNCTION, OPEN/CLOSE KEY, REGULATOR Section –



5-40. PRINTED WIRING BOARD – POWER Section – • See page 29 for Circuit Boards Location. •  : Uses unleaded solder.

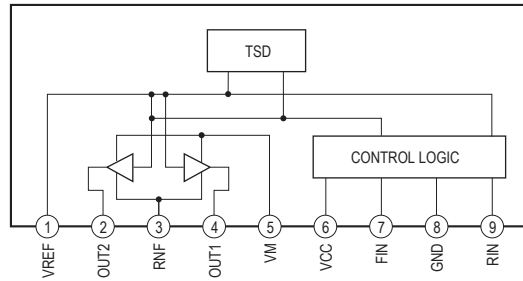


5-41. SCHEMATIC DIAGRAM – POWER Section –

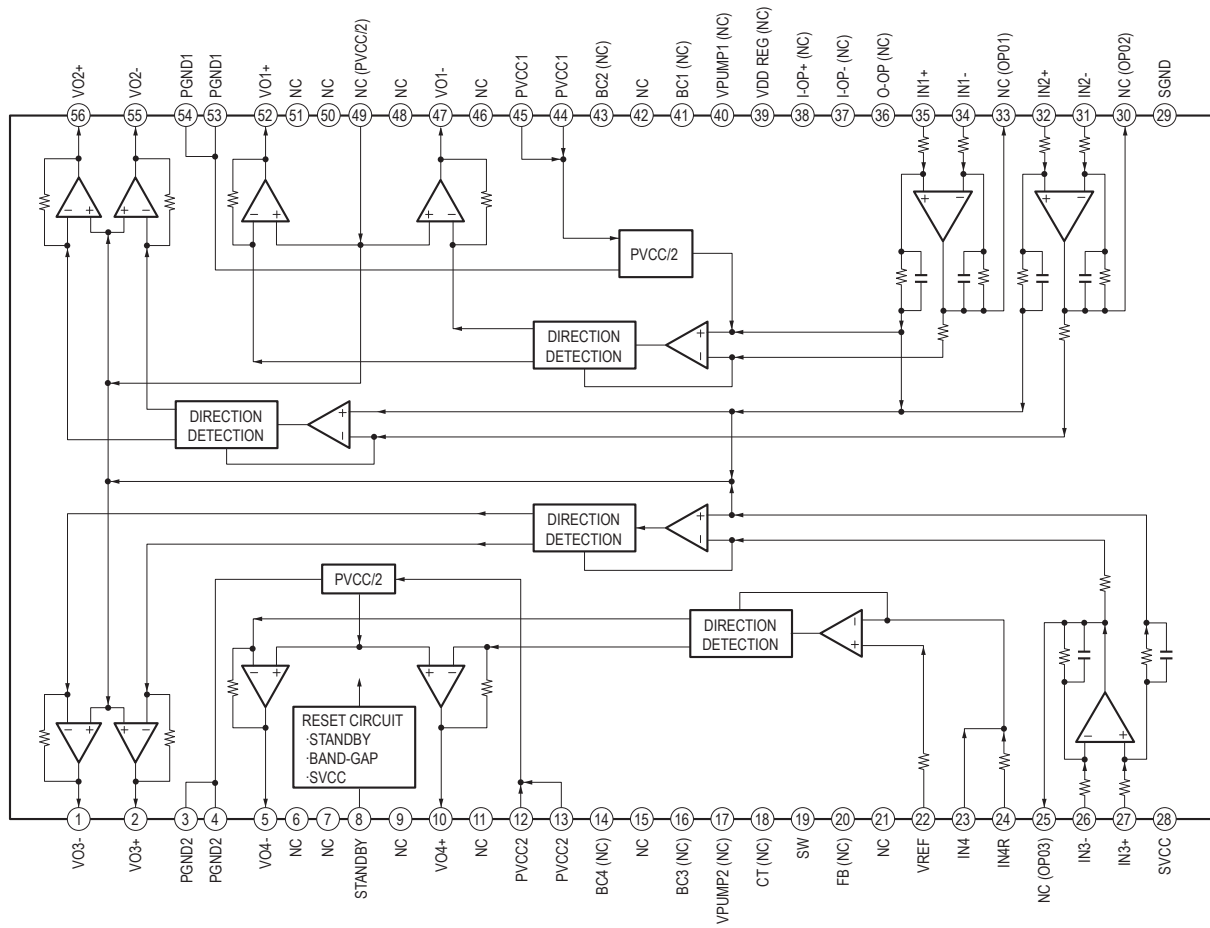


• IC Block Diagrams

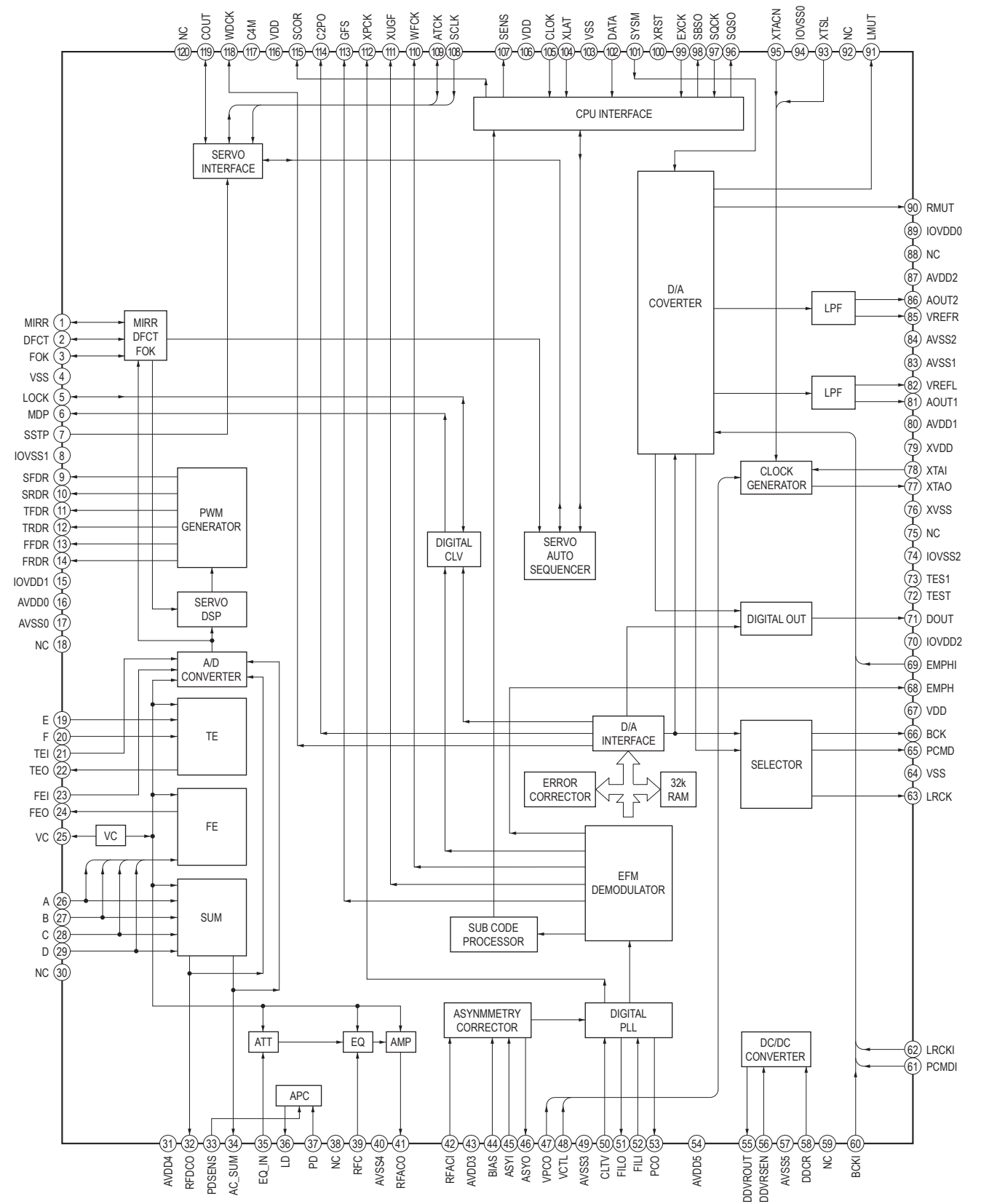
IC701 BA6956AN (DRIVER Board)
IC712 BA6956AN (DRIVER Board)



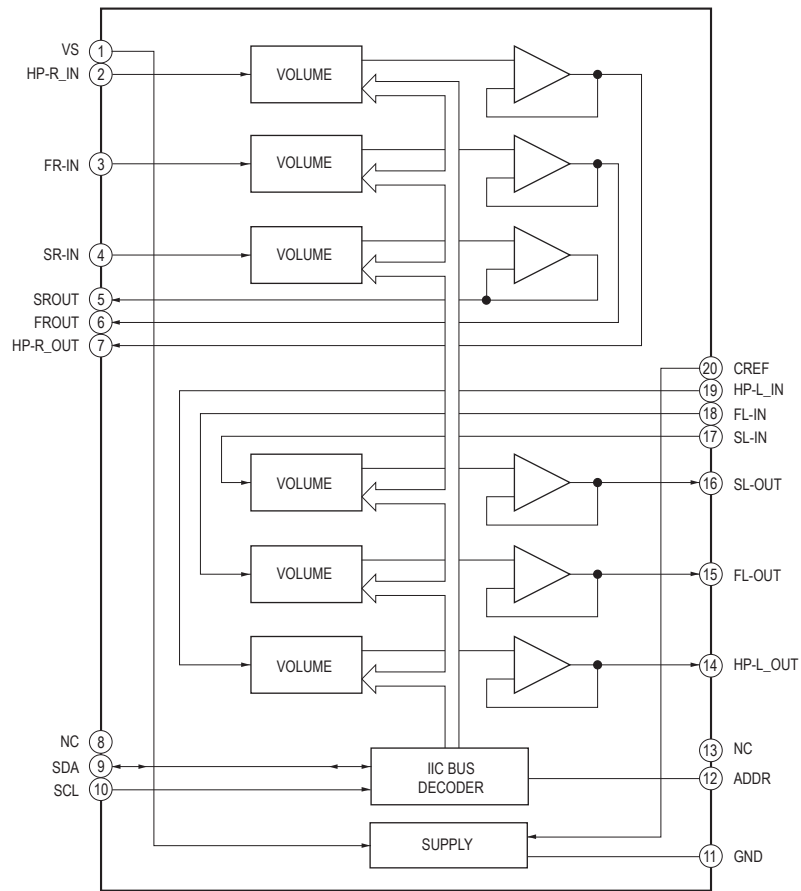
IC401 AN41050 (BD Board)



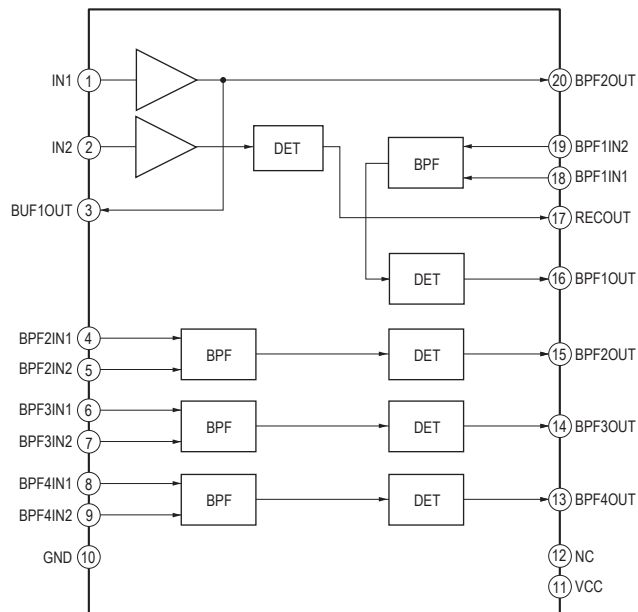
IC201 CXD3059AR (BD Board)



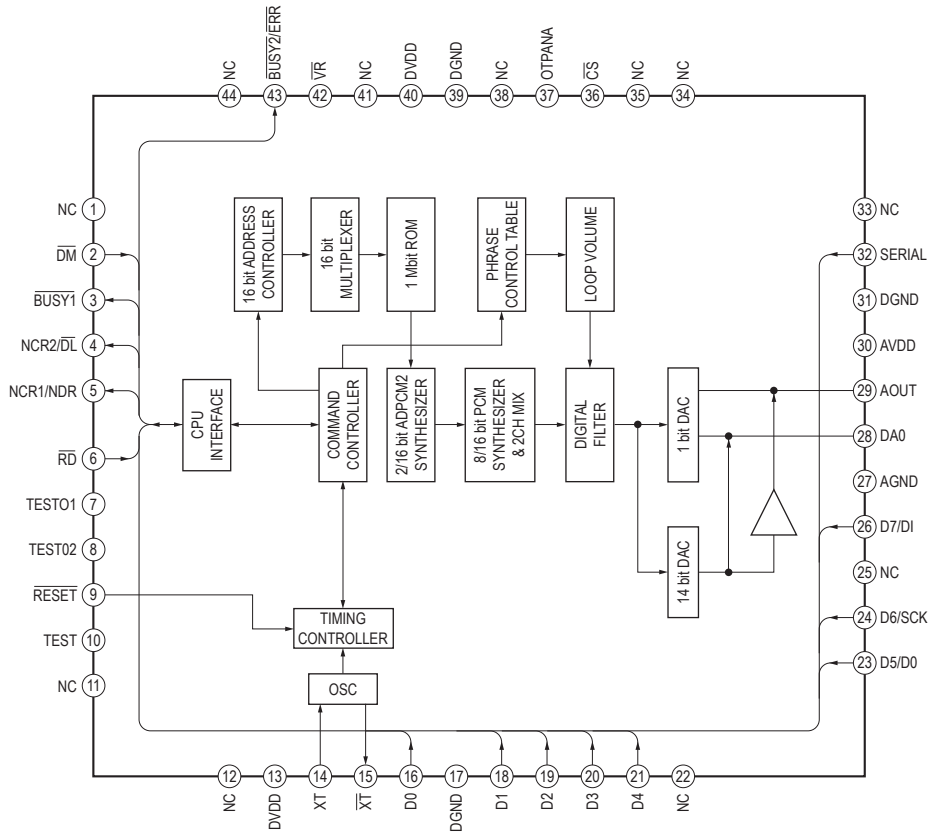
IC102 TDA744813TR (MAIN Board (1/4))



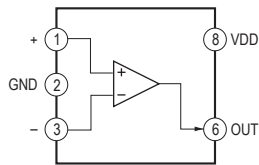
IC105 NJM2760V-TE2 (MAIN Board (1/4))



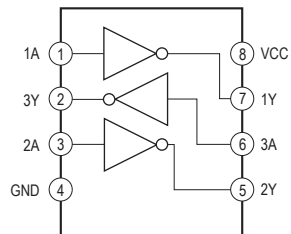
IC108 ML2252-259GAZ03A (MAIN Board (4/4))



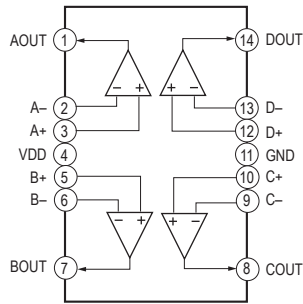
IC103 NJM2741F3(TE2)
(SH-TAS Board (1/5))



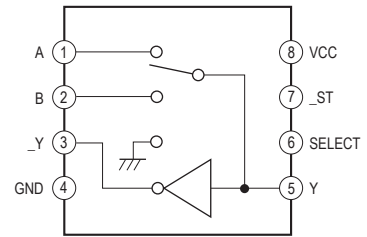
IC104 TC7WHU04FU(TE12R)
(SH-TAS Board (1/5))



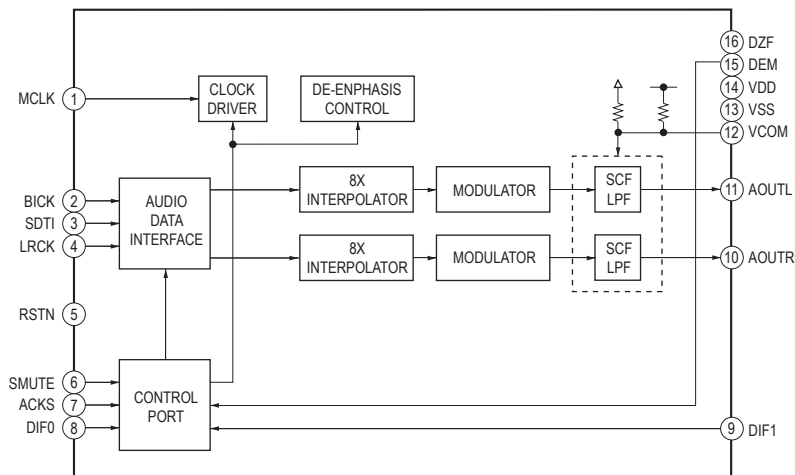
IC105 NJM13403V(TE2)
(SH-TAS Board (2/5))



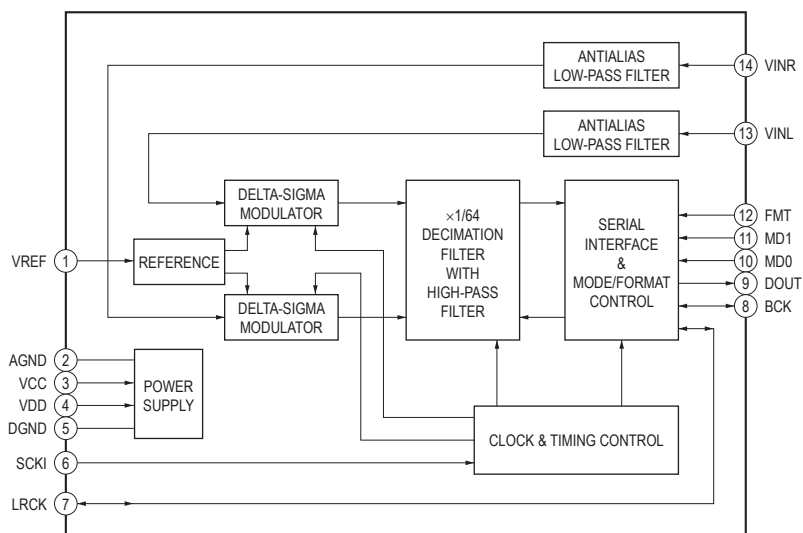
IC106 TC7WH157FK(TE85R)
(SH-TAS Board (2/5))



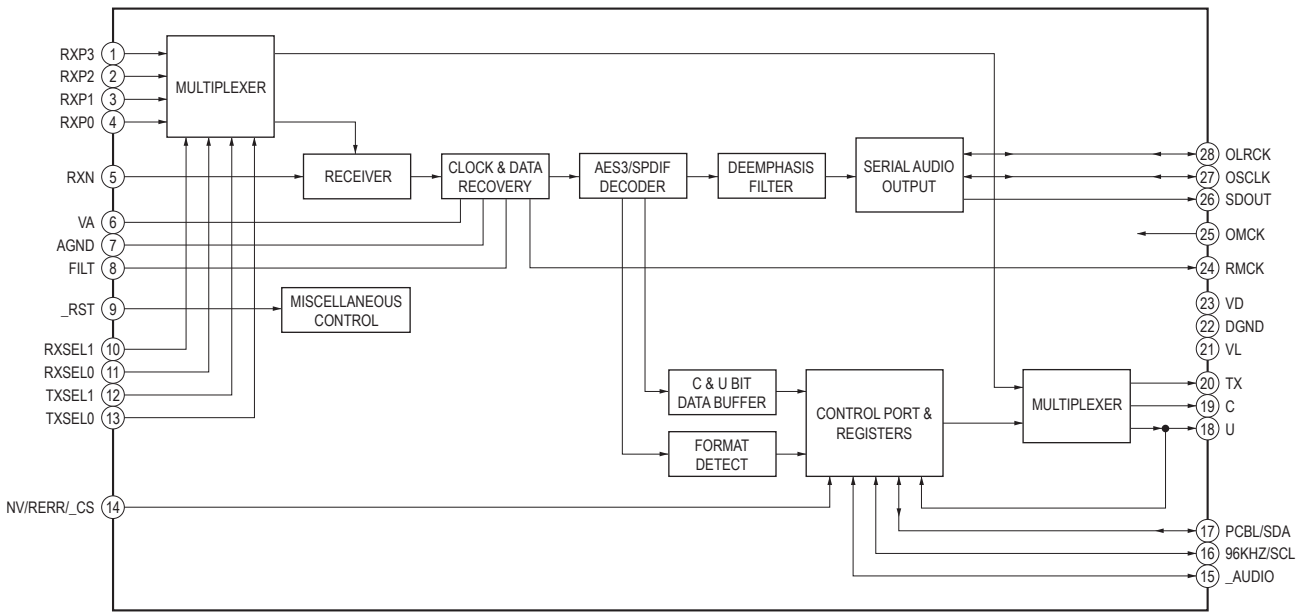
IC108 AK4388AET-E2 (SH-TAS Board (2/5))



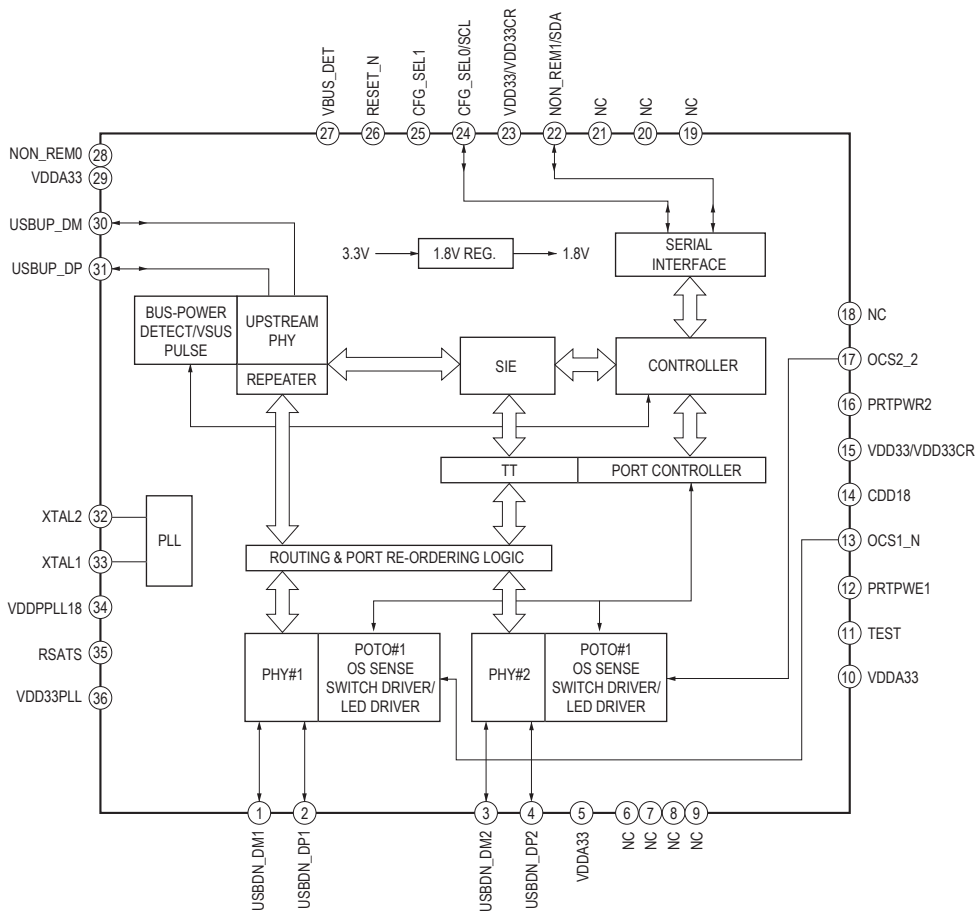
IC109 PCM1808PWR (SH-TAS Board (2/5))
IC111 PCM1808PWR (SH-TAS Board (2/5))



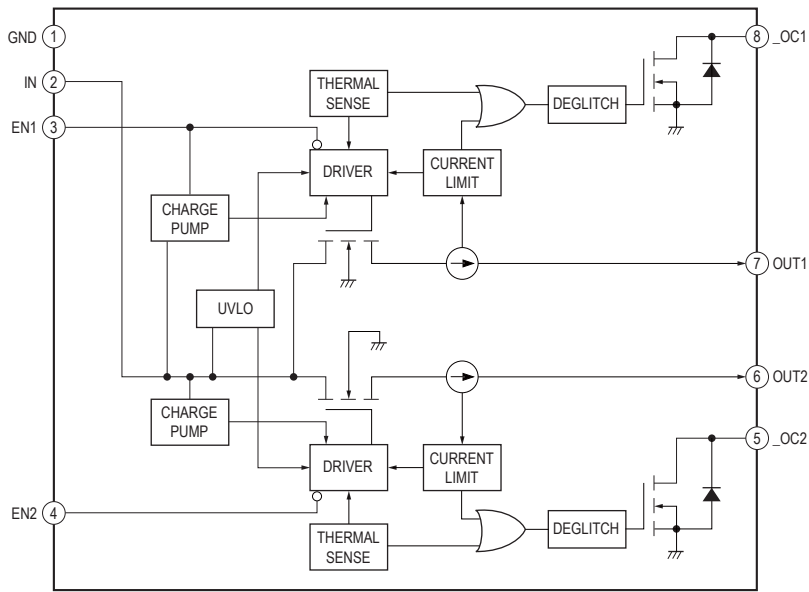
IC600 CS8416-CZZR (SH-TAS Board (3/5))



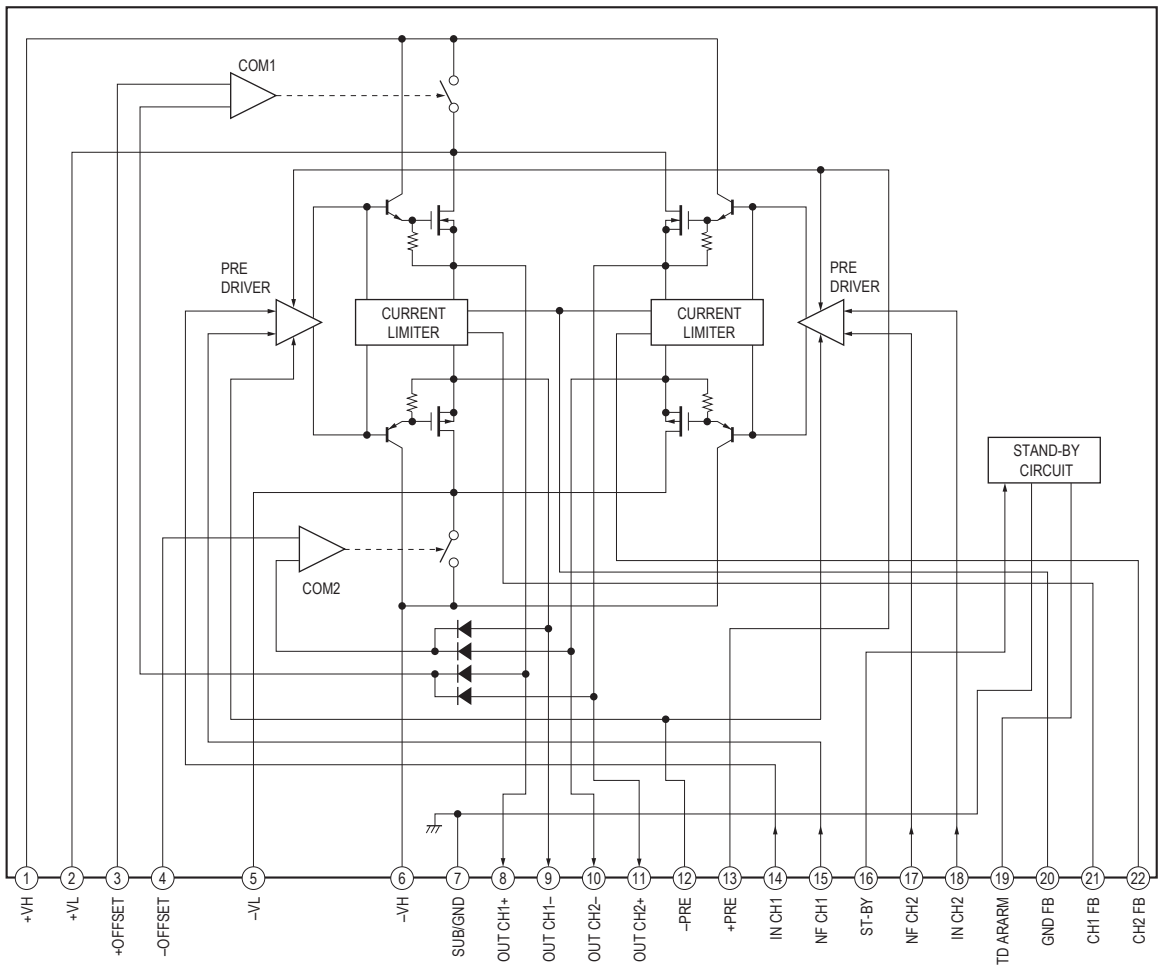
IC606 USB2512A-AEZG (SH-TAS Board (5/5))



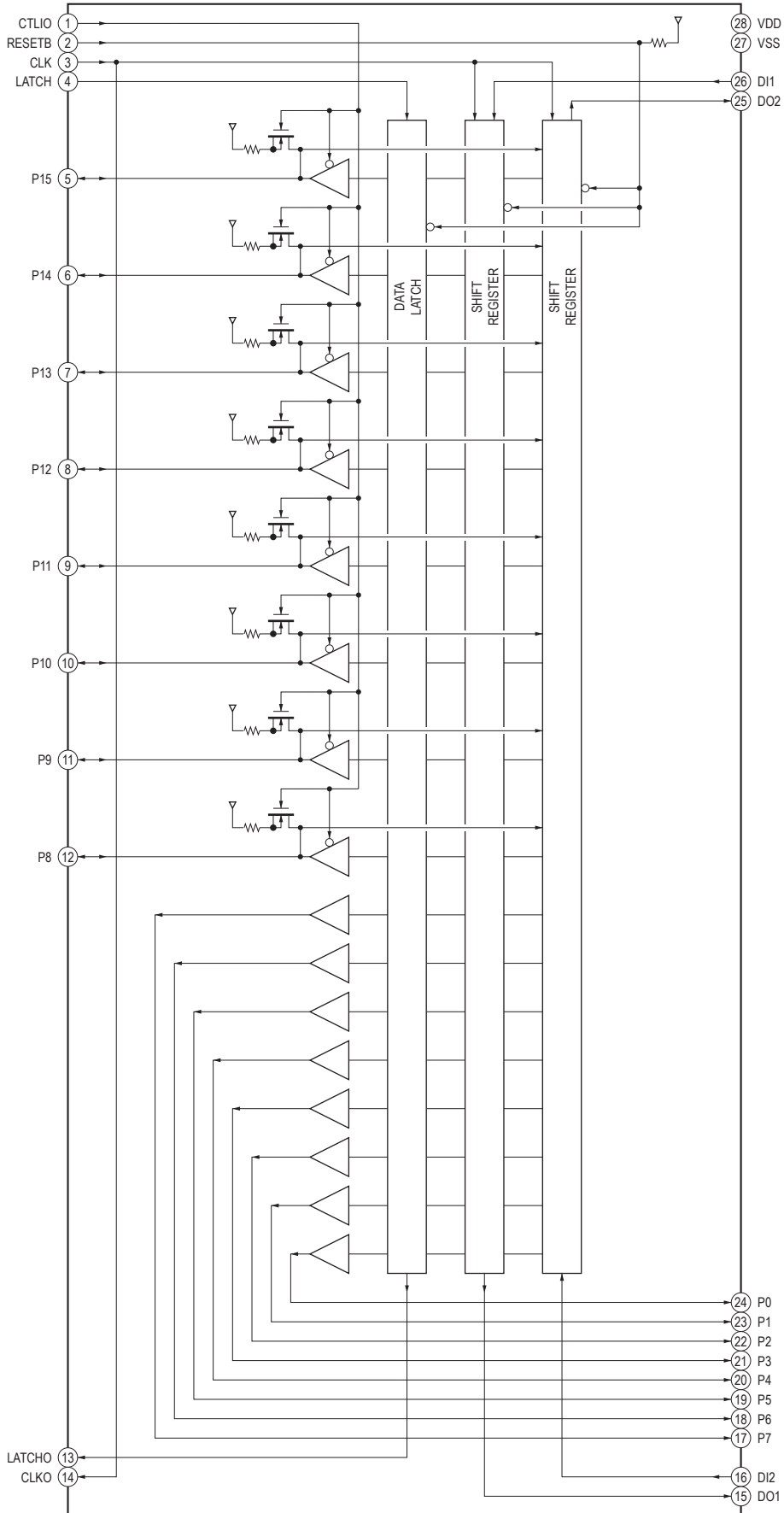
IC608 TPS2052BDR (SH-TAS Board (5/5))



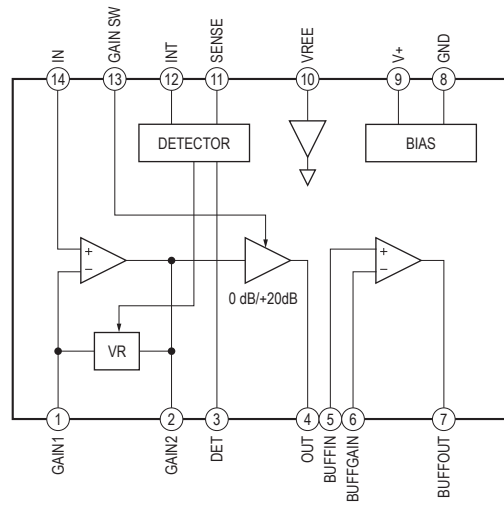
IC900 STK412-740-E (AMP Board)
 IC930 STK412-740-E (AMP Board)



IC1001 BH2210FV-E2 (PANEL FUNCTION Board (1/2))
 IC1002 BH2210FV-E2 (PANEL FUNCTION Board (1/2))



IC501 NJM2783V(TE2) (MICROPHONE Board)



• IC Pin Function Description

MAIN BOARD (2/4) IC111 R5F3640MDFAR (SYSTEM CONTROL)

Pin No.	Pin Name	I/O	Description
1	AD POWER CTL	O	A/D power supply control signal output ("H": ON)
2	TBL-SENS	I	Disc tray position detection signal input from CDM
3	LMR	O	CDM loading motor control signal output
4	SIRCS_IN	I	Remote control signal input
5	FL/LED/IO-EXP TXD	O	FL and LED driver's serial data signal output
6	LED/IO-EXP RXD(JOG)	I	Serial data input from encoder dial
7	FL/LED/IO-EXP CLK	O	FL and LED driver's serial clock signal output
8	BYTE	—	Not used. (Connected to ground)
9	CNVSS	I	Change processor mode
10	XCIN	I	Sub system clock input terminal (32.768kHz)
11	XCOU	O	Sub system clock output terminal (32.768kHz)
12	RESET	I	System Reset signal input
13	XOUT	O	Main system clock output terminal (5MHz)
14	VSS	—	Ground
15	XIN	I	Main system clock input terminal (5MHz)
16	VCC	—	Power supply (+3.3V)
17	NO_USE	I	Not used. (Pull up)
18	AC CUT DETECT	I	AC off detection signal input
19	O-DAC S-MUTE	O	D/A converter mute signal output
20	B.BOOST	O	Groove select control signal output ("H": OFF, "L": ON, "Hiz": Z-Groove)
21	OPEN SW	I	Tray open/close detection signal input from CDM
22	EEP-SCL	O	Serial clock signal output to EEPRPM
23	FL-RESET	O	FL reset signal output
24	EEP-SDA	I/O	Serial data input/output with EEPRPM
25	FL_LAT	O	FL serial data latch signal output
26	FL_BK	O	FL blank control signal output
27	LED_LAT	O	LED driver serial data latch signal output
28	LED_BK	O	LED blank control signal output
29	VOL_IC_IIC_CLK	O	Serial clock signal output to Volume IC
30	VOL_IC_IIC_DATA	I/O	Serial data signal input/output to Volume IC
31	IIC_DATA/TXD1	I/O	Serial data signal input for Flash write /Debug data signal input/output
32	IIC_CLK/RXD1	I/O	Serial data signal input for Flash write /Debug clock signal input/output
33	NO_USE/CLK1	O	Serial clock signal input/output for Flash write
34	STALLION_CTS_IN/ RTS1	I	RTS signal input for Flash write
35	STALLION_TXD_OUT	O	Serial data signal output to DSP IC
36	STALLION_RXD_IN	I	Serial data signal input from DSP IC
37	STALLION_RESET	O	Reset signal output to DSP IC
38	STALLION_RTS	O	RTS signal output to DSP IC
39	CLKOUT/SOFT TEST	—	Not used (Open)
40	I-MIC DETECT	I	Microphone detection signal input ("H": microphone insert)
41	STK_MUTE	O	Standby signal output to the power amplifier
42	HP_MUTE	O	Headphone muting control signal output ("L": MUTE)
43	LINE_MUTE	O	Muting on/off control signal output terminal ("L": muting on)
44	FRONT_SP_RELAY	O	F/R speaker output relay drive signal output
45	TM-F	O	CDM table motor control signal output
46	PULL UP	—	Not use (pull up)
47	TM-R	O	CDM table motor control signal output
48	LM-F	O	CDM loading motor control signal output
49	ML2252-WR	O	Status data write signal output to ML2252
50	ML2252-BUSY2	I	Channel 2 playback status signal input from ML2252
51	ML2252-BUSY1	I	Channel 1 playback status signal input from ML2252
52	ML2252-NCR1	I	Channel 1 Next Command Ready status signal input from ML2252
53	ML2252-NCR2	I	Channel 2 Next Command Ready status signal input from ML2252
54	ML2252-CLK	O	Serial data transfer clock signal output to ML2252
55	ML2252-DATA_OUT	O	Serial data signal output to ML2252
56	ML2252-RESET	O	Reset signal output to ML2252

Pin No.	Pin Name	I/O	Description
57	ST DATA IN/STEREO	I	Serial data input from tuner unit
58	ST CLK	O	Serial data transfer clock signal output to tuner unit
59	ST DATA_OUT	O	Serial data output to tuner unit
60	ST_CE	O	Chip enable signal output to tuner unit
61	ST_TUNED	I	Tuning detection signal input from tuner unit
62	VCC	—	Power supply (+3.3V)
63	STBY RELAY	O	Power on/off relay drive signal output terminal ("H": power on)
64	VSS	—	Ground
65	VACS IN B	I	VACS signal input of channel B (A/D input)
66	VACS IN A	I	VACS signal input of channel A (A/D input)
67	POWER LEVEL	I	Audio level signal input (A/D input)
68	SOURCE_LEVEL(B)	I	Source level (channel B) signal input (A/D input)
69	SOURCE_LEVEL(A)	I	Source level (channel A) signal input (A/D input)
70	JOG3 (X-TRANCE)	I	X-TRANCE jog dial signal input (A/D input)
71	JOG2 (OPERATIONB)	I	OPERATION B jog dial signal input (A/D input)
72	JOG1 (OPERATIONA)	I	OPERATION A jog dial signal input (A/D input)
73	SP/FAN PROTECTOR	I	Speaker/FAN protect signal input
74	HEADPHONE_DET	I	Headphone detection signal input ("H": headphone insert)
75	MODEL	I	Model information setting terminal ("H": 4ch, "L": not used)
76	TAS-RESET	O	Reset signal output to CXD9928ATQ
77	TAS-SDA	I/O	Serial data signal input/output with CXD9928ATQ
78	TAS-SCL	O	Serial clock signal output to CXD9928ATQ
79	CDM ENCODER SW2	I	Disc tray address detection signal input from CDM
80	CDM ENCODER SW1	I	Disc tray address detection signal input from CDM
81	CDM ENCODER SW0	I	Disc tray address detection signal input from CDM
82	THERMAL VACS	I	Temperature detection signal input from power AMP
83	BPF IN LOW	I	Speana BPF signal input (A/D input)
84	BPF IN MID L	I	Speana BPF signal input (A/D input)
85	BPF IN MID H	I	Speana BPF signal input (A/D input)
86	BPF IN HIGH	I	Speana BPF signal input (A/D input)
87	SLIDER	I	Cross Fader signal input (A/D input)
88	HP VOL	I	Headphone level position signal input (A/D input)
89	ADKEY4	I	Panel key input terminal (A/D input)
90	ADKEY3	I	Panel key input terminal (A/D input)
91	ADKEY2	I	Panel key input terminal (A/D input)
92	ADKEY1	I	Panel key input terminal (A/D input)
93	ADKEY0	I	Panel key input terminal (A/D input)
94	MIC_VOL	I	MIC level position signal input (A/D input)
95	AC MONITOR	I	AC voltage Over/Under protection detection input (A/D input)
96	AVSS	—	Ground
97	DEST	I	Destination setting terminal
98	VREF	—	Reference voltage (+3.3V)
99	AVCC	—	Power supply (+3.3V)
100	STBY LED	O	LED drive signal output terminal for the standby LED ("H": LED on)

SH-TAS BOARD (1/5) IC101 CXD9926ATQ (ANALOG/DIGITAL SIGNAL TRANSPORTER)

Pin No.	Pin Name	I/O	Description
1	DVDD_PWM2	—	Power supply (+3.3V)
2	PWM2_RD	O	PWM out channel 2 right delayed output (P-ILL LEVEL L)
3	PWM2_RI	O	PWM out channel 2 right immediate output (P-ILL LEVEL L)
4	PWM3_LD	O	PWM out channel 3 left delayed output (VACS-A)
5	PWM3_LI	O	PWM out channel 3 left immediate output (VACS-A)
6	DVSS_PWM3	—	Ground
7	DVDD_PWM3	—	Power supply (+3.3V)
8	PWM3_RD	O	PWM out channel 3 right delayed output (VACS-B)
9	PWM3_RI	O	PWM out channel 3 right immediate output (VACS-B)
10	VALID/SYNC	—	Not used (Open)
11	DVDD2	—	Power supply (+3.3V)
12	DVSS2	—	Ground
13	VREG_EN	I	Voltage regulator enable signal input Not used (Pull down)
14	STEST	—	Not used (Connected to ground)
15	MCLKOUT	O	Serial audio data master clock signal output (Not used in this set)
16	LRCKOUT	O	Serial audio Left/right clock signal output (Not used in this set)
17	SCLKOUT	O	Serial audio data shift clock signal output (Not used in this set)
18	SDOUT1	O	Serial audio data signal output
19	SDOUT2/SPDIF_OUT	O	Serial audio data or SPDIF signal output
20	SPDIF_IN	—	Not used (Open)
21	SDIN3	I	Serial audio data signal input (USB2)
22	SDIN2	I	Serial audio data signal input (MIC/BEET)
23	SDIN1	I	Serial audio data signal input (USB1/CD/TUNER/AUDIO IN1)
24	LRCKIN	I	Serial audio Left/right clock signal input
25	SCLKIN	I	Serial audio data shift clock signal input
26	MCLKIN	I	Serial audio data master clock signal input
27	DVSS_DPLL	—	Ground
28	VR_DIG2 (1.8V)	—	Internally regulated +1.8V power used by digital core
29	DVDD3	—	Power supply (+3.3V)
30	DVSS3	—	Ground
31	I2C_SDA2	—	Not used (Pull down)
32	I2C_SCL2	—	Not used (Pull down)
33	I2C_SDA1	I/O	Master IIC serial control data interface signal input/output
34	I2C_SCL1	I/O	Master IIC serial control clock interface signal input/output
35	CS	—	Not used (Pull down)
36	GPIO1	—	Not used (pull up)
37	GPIO2	I/O	General Purpose input/output (data selector)
38	MUTE	I	Mute signal input
39	RESET	I	System reset signal input
40	DVSS4	—	Ground
41	VR_DIG3	—	Internally regulated +1.8V power used by digital core
42	DVDD4	—	Power supply (+3.3V)
43	LINEIN1L	—	Not used (Connected to ground)
44	LINEIN1R	—	Not used (Connected to ground)
45	AVSS_LI1	—	Ground
46	LINEIN2L	—	Not used (Connected to ground)
47	LINEIN2R	—	Not used (Connected to ground)
48	AVDD_LI1	—	Power supply (+3.3V)
49	LINEIN3L	—	Not used (Connected to ground)
50	LINEIN3R	—	Not used (Connected to ground)
51	LINEIN4L	—	Not used (Connected to ground)
52	LINEIN4R	—	Not used (Connected to ground)
53	AVDD_LI2	—	Power supply (+3.3V)
54	LINEIN5L	—	Not used (Connected to ground)
55	LINEIN5R	—	Not used (Connected to ground)
56	AVSS_LI2	—	Ground
57	LINEIN6L	—	Not used (Connected to ground)
58	LINEIN6R	—	Not used (Connected to ground)

Pin No.	Pin Name	I/O	Description
59	AVSS_ADC/REF	—	Ground
60	LINEIN7L	I	AUDIO IN2-L analog signal input
61	LINEIN7R	I	AUDIO IN3-R analog signal input
62	AVDD_ADC	—	Power supply (+3.3V)
63	LINEIN8L	I	AUDIO IN1-L analog signal input
64	LINEIN8R	I	AUDIO IN1-R analog signal input
65	AVDD_LI3	—	Power supply (+3.3V)
66	LINEIN9L	I	TUNER-L analog signal input
67	LINEIN9R	I	TUNER-R analog signal input
68	AVSSLI3	—	Ground
69	LINEIN10L	I	CD-L analog signal input (CD-DA)
70	LINEIN10R	I	CD-R analog signal input (CD-DA)
71	BIAS_REF	O	Bias output
72	BG_REF	O	Band gap output
73	V1P5_REF	O	Common mode output
74	AVDD_REF	—	Power supply (+3.3V)
75	AVDD_LO	—	Power supply (+3.3V)
76	LINEOUT1L	O	LINE-L analog signal output (CD-DA/TUNER/AUDIO IN1)
77	LINEOUT1R	O	LINE-R analog signal output (CD-DA/TUNER/AUDIO IN1)
78	AVSS_LO	—	Ground
79	AVDD_PLL	—	Power supply (+3.3V)
80	PLL_FLTP	—	PLL filter terminal
81	PLL_FLTM	—	PLL filter terminal
82	AVSS_PLL	—	Ground
83	VR_ANA2	—	Internally regulated +1.8V power used by analog core
84	AVDD_OSC	—	Power supply (+3.3V)
85	XTAL_IN	I	System clock input terminal (24.576MHz)
86	XTAL_OUT	O	System clock output terminal (24.576MHz)
87	AVSS_OSC	—	Ground
88	VR_ANA	—	Internally regulated +1.8V power used by analog core
89	DVDD1	—	Power supply (+3.3V)
90	DVSS1	—	Ground
91	VR_DEG1	—	Internally regulated +1.8V power used by digital core
92	PWM1_LD	O	PWM out channel 1 left delayed output (HP OUT L)
93	PWM1_LI	O	PWM out channel 1 left immediate output (HP OUT L)
94	DVSS_PWM1	—	Ground
95	DVDD_PWM1	—	Power supply (+3.3V)
96	PWM1_RD	O	PWM out channel 1 right delayed output (HP OUT R)
97	PWM1_RI	O	PWM out channel 1 right immediate output (HP OUT R)
98	PWM2_LD	O	PWM out channel 2 left delayed output (P-ILL LEVEL R)
99	PWM2_LI	O	PWM out channel 2 left immediate output (P-ILL LEVEL R)
100	DVSS_PWM2	—	Ground

SH-TAS BOARD (4/5) IC605 R5S72630P200FP (DSP)

Pin No.	Pin Name	I/O	Description
1		—	Not used (Open)
2	_CASL	O	SDRAM Column Address Strobe signal output
3	_RASL	O	SDRAM Row Address Strobe signal output
4	VCC	—	Power supply (+1.2V)
5	DQMUU	—	Not used (Open)
6	VSS	—	Ground
7	PVSS	—	Ground
8	DQMUL	—	Not used (Open)
9	PVCC	—	Power supply (+3.3V)
10	DQMLU	O	SDRAM DQML U signal output
11	_CS0	O	Flash ROM Chip Select signal output
12	_RD	O	Flash ROM read signal output
13	_WE0/DQMLL	O	SDRAM DQML L and Flash ROM write enable signal output
14	_CS3	O	SDRAM Chip Select signal output
15		—	Not used (Open)
16	VCC	—	Power supply (+1.2V)
17		—	Not used (Open)
18	VSS	—	Ground
19	OVSS	—	Ground
20	A1	O	SDRAM/Flash ROM address bus A1 output
21	PVCC	—	Power supply (+3.3V)
22 to 28	A2 to A8	O	SDRAM/Flash ROM address bus A2 to A8 output
29	PVCC	—	Power supply (+3.3V)
30	A9	O	SDRAM/Flash ROM address bus A9 output
31	PVSS	—	Ground
32	VSS	—	Ground
33	A10	O	SDRAM/Flash ROM address bus A10 output
34	VCC	—	Power supply (+1.2V)
35 to 40	A11-A16	O	SDRAM/Flash ROM address bus A11 to A16 output
41	PVSS	—	Ground
42	A17	O	SDRAM/Flash ROM address bus A17 output
43	PVCC	—	Power supply (+3.3V)
44 to 47	A18 to A21	O	SDRAM/Flash ROM address bus A18 to A21 output
48		—	Not used (Open)
49	MONI-RXD0	I	For Debug (Pull up)
50	CKIO	O	SDRAM Clock signal output
51	VCC	—	Power supply (+1.2V)
52	VSS	—	Ground
53	PVSS	—	Ground
54	PVCC	—	Power supply (+3.3V)
55	XTAL	O	System clock output terminal (16.5MHz)
56	EXTAL	I	System clock input terminal (16.5MHz)
57	NMI	I	Not used (Pull up)
58	PLLSS	—	Ground
59	_RESET	I	Reset signal input (L: Reset)
60	PLLCC	—	Power supply (+1.2V)
61	_ASEMD	—	For Debug
62	CD-CLK	O	CD serial clock signal output
63	MONI-TXD0	—	For Debug
64	CD-SCOR	I	CD SCOR signal input
65	PVSS	—	Ground
66	CD-X-LAT	O	CD serial data latch signal output
67	PVCC	—	Power supply (+3.3V)
68	CD-SENS	I	CD SENS signal input
69	CD-DATA	O	CD serial data signal output
70	CD-GATNSW	O	CD x1/x4 Speed gain control signal output
71	CD-X-TACN	O	CD Oscillation control signal output
72	CD-RST	O	CD Reset signal output (L: Reset)

Pin No.	Pin Name	I/O	Description
73	RXD3	O	Host I/F serial data output
74	VCC	—	Power supply (+1.2V)
75	HUB_RESET	O	USB Hub reset signal output (L: Reset)
76	VSS	—	Ground
77	PVSS	—	Ground
78	RTC_X1	—	Not used (Connected to ground)
79	RTC_X2	—	Not used (Open)
80	PVCC	—	Power supply (+3.3V)
81	TXD3	I	Host I/F serial data input
82	CTS3	I	Host I/F CTS signal input
83	RTS3	O	Host I/F RTS signal output (Not used in this set)
84	PVSS	—	Ground
85 to 88		—	Not used (Open)
89	VCC	—	Power supply (+1.2V)
90	MD	—	Not used (Connected to ground)
91	VSS	—	Ground
92	PVSS	—	Ground
93	USB_X1	O	USB clock (48MHz) output terminal
94	USB_X2	I	USB clock (48MHz) input terminal
95	PVCC	—	Power supply (+3.3V)
96	MD_CLK1	—	Not used (Connected to ground)
97	MD_CLK0	—	Not used (Connected to ground)
98	USBDPVSS	—	Ground
99	USBDPVCC	—	Power supply (+3.3V)
100	DM	I/O	USB serial data (+) input/output
101	DP	I/O	USB serial data (-) input/output
102	VBUS	I	USB VBUS detect signal input
103	USBAVCC	—	Power supply (+1.2V)
104	USBAVSS	—	Ground
105	REFRIN	I	Reference setting terminal
106	USBAPVSS	—	Ground
107	USBAPVCC	—	Power supply (+3.3V)
108	USBDVCC	—	Power supply (+1.2V)
109	USBDVSS	—	Ground
110 to 113		—	Not used (Open)
114	AVCC	—	Power supply (+3.3V)
115		—	Not used (Open)
116	AVREF	—	Reference voltage (+3.3V)
117 to 119		—	Not used (Open)
120	AVSS	—	Ground
121	PVSS	—	Ground
122		—	Not used (Open)
123	PVCC	—	Power supply (+3.3V)
124	SSIDATA3	O	USB2 audio data signal output
125	SSIWS3	I	USB2 audio LRCK signal input
126	SSISCK3	I	USB2 audio CLK serial input
127	VCC	—	Power supply (+1.2V)
128	AUDIO_CLK	—	Not used (Open)
129	VSS	—	Ground
130	PVSS	—	Ground
131	AUDIO_X1	—	Not used (Connected to ground)
132	AUDIO_X2	—	Not used (Open)
133	PVCC	—	Power supply (+3.3V)
134	SSIDATA2	O	CD/USB1 audio data signal output
135	SSIWS2	I	CD/USB1 audio LRCK signal input
136	SSISCK2	I	CD/USB1 audio CLK serial input
137	SSISCK0	I	AUDIO REC CLK serial input
138	SSIWS0	I	AUDIO REC LRCK signal input
139	SSIDATA0	I	AUDIO REC serial data input

Pin No.	Pin Name	I/O	Description
140	SSISCK1	I	CD digital audio CLK signal input
141	VCC	—	Power supply (+1.2V)
142	SSIWS1	I	CD digital audio LRCK signal input
143	VSS	—	Ground
144	PVSS	—	Ground
145	SSIDATA1	I	CD digital audio signal input
146	PVCC	—	Power supply (+3.3V)
147 to 153		—	Not used (Open)
154	VCC	—	Power supply (+1.2V)
155		—	Not used (Open)
156	VSS	—	Ground
157	PVSS	—	Ground
158		—	Not used (Open)
159	PVCC	—	Power supply (+3.3V)
160 to 166		—	Not used (Open)
167	PF1	—	Not used (Open)
168	VCC	—	Power supply (+1.2V)
169		—	Not used (Open)
170	VSS	—	Ground
171	PVSS	—	Ground
172	TMS	—	For Debug
173	PVSSC	—	Power supply (+3.3V)
174	TDI	—	For Debug
175	_ASEBRAK	—	For Debug
176	_TRST	—	For Debug
177	TDO	—	For Debug
178	TCK	—	For Debug
179	I2C-SCL0	—	Not used (Pull up)
180	I2CSDA0	—	Not used (Pull up)
181, 182		—	Not used (Open)
183, 184	PVCC	—	Power supply (+3.3V)
185, 186		—	Not used (Open)
187	PVSS	—	Ground
188	VSS	—	Ground
189, 190		—	Not used (Open)
191	VCC	—	Power supply (+1.2V)
192 to 195		—	Not used (Open)
196	PVSS	—	Ground
197		—	Not used (Open)
198	PVCC	—	Power supply (+3.3V)
199 to 203		—	Not used (Open)
204	VCC	—	Power supply (+1.2V)
205		—	Not used (Open)
206	VSS	—	Ground
207	PVSS	—	Ground
208		—	Not used (Open)
209	PVCC	—	Power supply (+3.3V)
210 to 213		—	Not used (Open)
214	D15	I/O	SDRAM/Flash ROM data bus D15 input/output
215	D14	I/O	SDRAM/Flash ROM data bus D14 input/output
216	PVSS	—	Ground
217	D13	I/O	SDRAM/Flash ROM data bus D13 input/output
218	PVCC	—	Power supply (+3.3V)
219 to 223	D12 to D8	I/O	SDRAM/Flash ROM data bus D12 to D8 input/output
224	VCC	—	Power supply (+1.2V)
225	D7	I/O	SDRAM/Flash ROM data bus D7 input/output
226	VSS	—	Ground
227	PVSS	—	Ground
228	D6	I/O	SDRAM/Flash ROM data bus D6 input/output

Pin No.	Pin Name	I/O	Description
229	PVCC	—	Power supply (+3.3V)
230 to 235	D5 to D0	I/O	SDRAM/Flash ROM data bus D5 to D0 input/output
236	PVSS	—	Ground
237	PVCC	—	Power supply (+3.3V)
238	RD_ _WR	O	SDRAM read/write signal output
239	CKE	O	SDRAM CKE signal output
240		—	Not used (Open)

SECTION 6 EXPLODED VIEWS

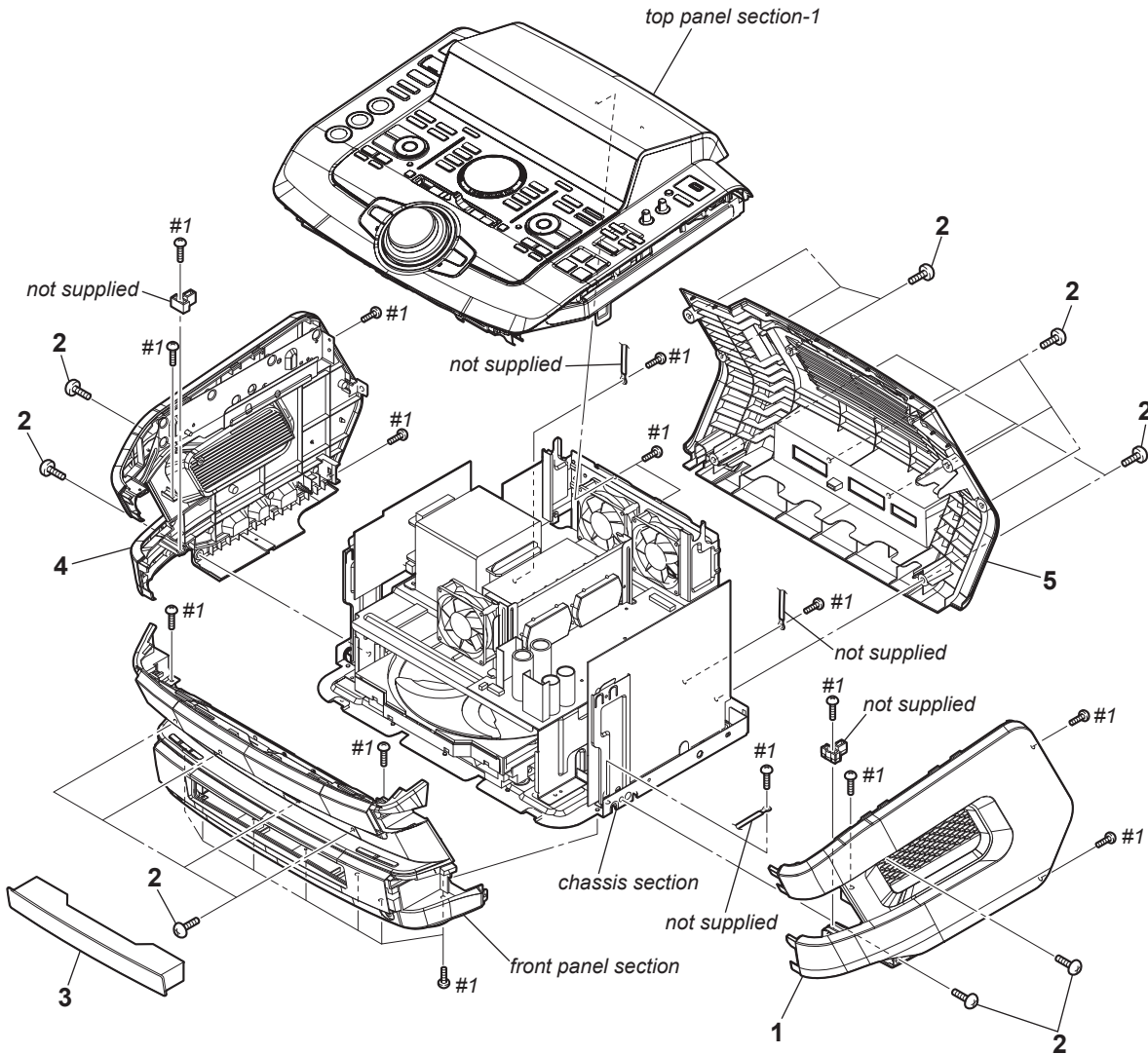
Note:

- -XX and -X mean standardized parts, so they may have some difference from the original one.
- Items marked "*" are not stocked since they are seldom required for routine service. Some delay should be anticipated when ordering these items.
- The mechanical parts with no reference number in the exploded views are not supplied.

- Accessories are given in the last of the electrical parts list.
- Abbreviation
 E2 : 120V AC area in E model
 E3 : 240V AC area in E model
 E51 : Chilean and Peruvian models
 MX : Mexican model

The components identified by mark Δ or dotted line with mark Δ are critical for safety.
 Replace only with part number specified.

6-1. OVERALL SECTION

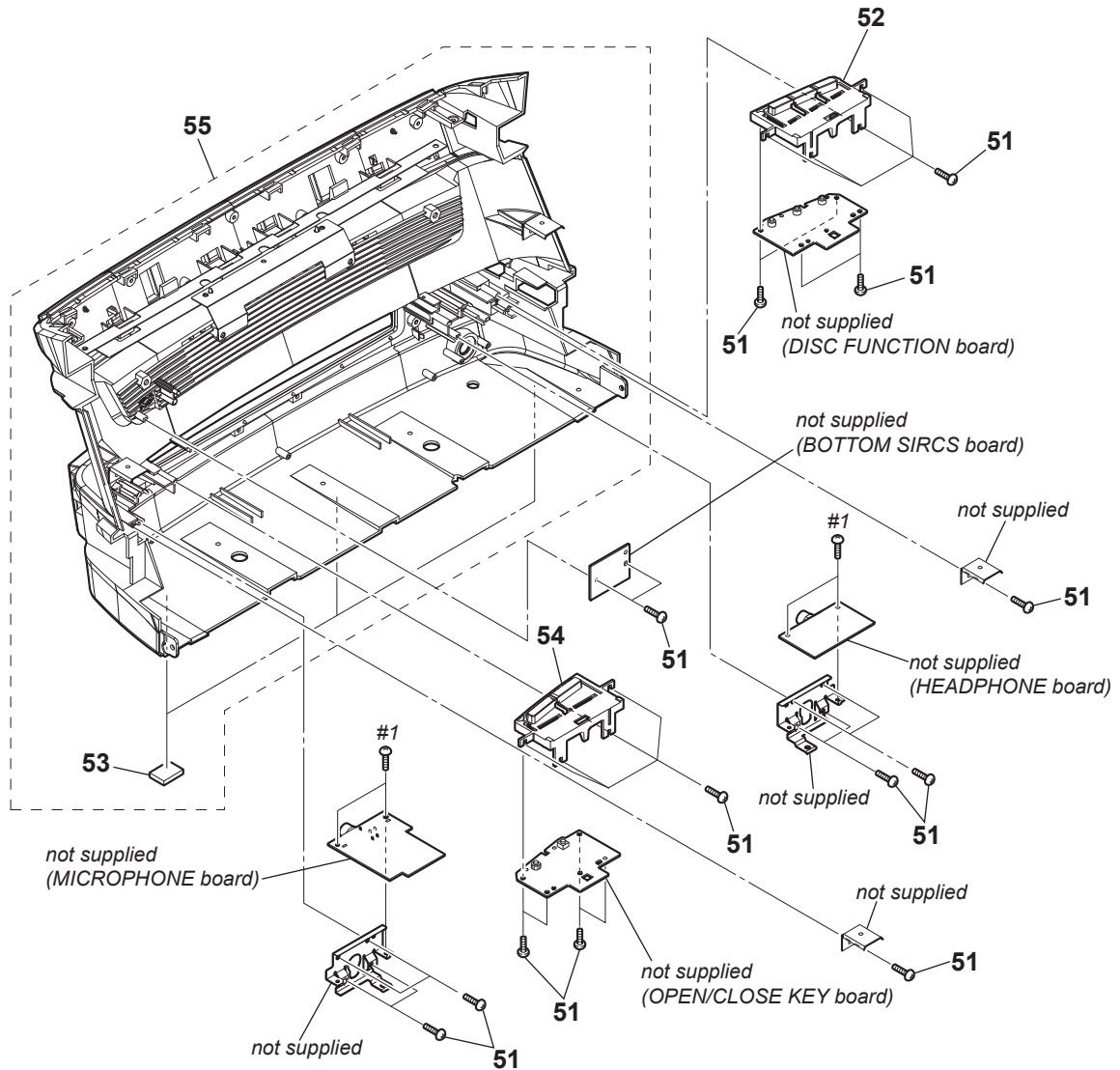


Ref. No.	Part No.	Description	Remark
1	X-2349-536-1	SIDE PANEL (R) ASSY	
2	3-363-099-32	SCREW (CASE 3 TP2)	
3	4-139-606-01	PANEL, LOADING	
4	X-2349-537-1	SIDE PANEL (L) ASSY	

Ref. No.	Part No.	Description	Remark
5	4-139-686-01	PANEL, BACK (E2,E3,E51)	
5	4-139-686-11	PANEL, BACK (MX)	
#1	7-685-646-79	SCREW +BVTP 3X8 TYPE2 IT-3	

Note: If the wire (flat type) was replaced, fold it some as the wire (flat type) before replacement.

6-2. FRONT PANEL SECTION

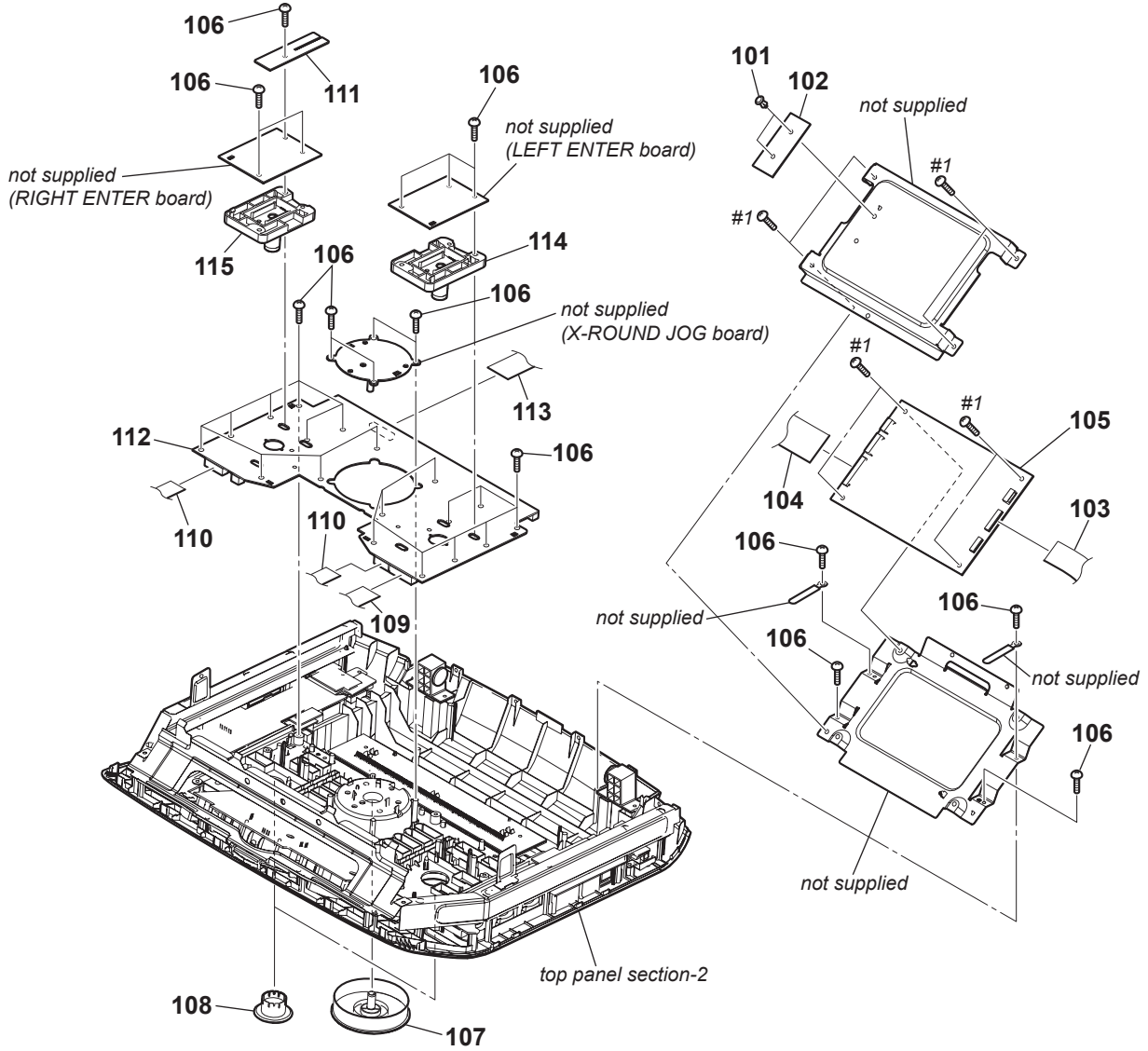


Ref. No.	Part No.	Description	Remark
51	3-087-053-11	+BVTP2.6 (3CR)	
52	4-139-685-01	BUTTON (DISC)	
53	4-147-917-01	FOOT (8X12.5)	

Ref. No.	Part No.	Description	Remark
54	4-139-684-01	BUTTON (EJECT)	
55	X-2349-535-1	FRONT PANEL ASSY	
#1	7-685-646-79	SCREW +BVTP 3X8 TYPE2 IT-3	

Note: If the wire (flat type) was replaced, fold it some as the wire (flat type) before replacement.

6-3. TOP PANEL SECTION-1

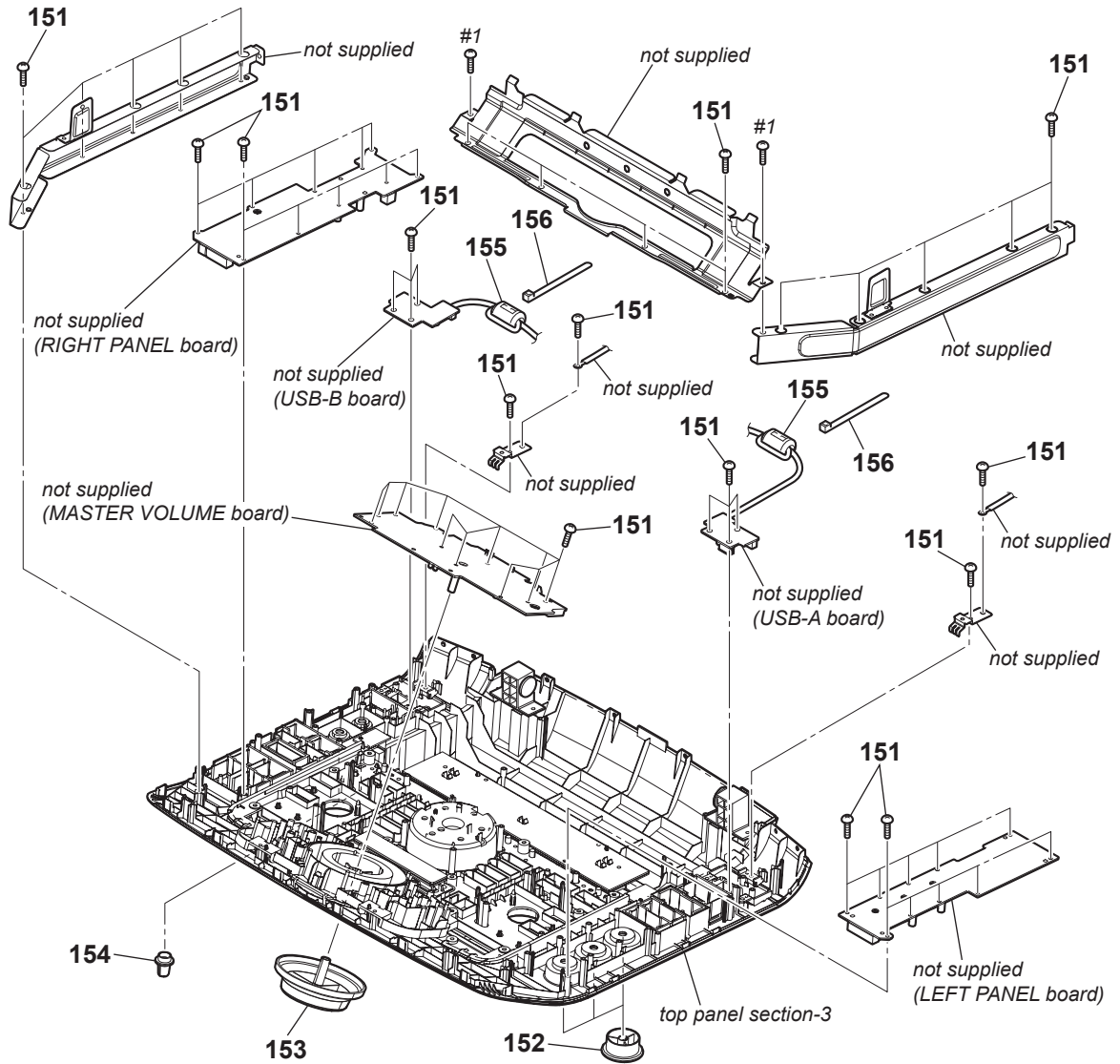


Ref. No.	Part No.	Description	Remark
101	3-531-576-11	RIVET	
102	1-880-507-11	SH BOARD FFC PWB	
103	1-837-218-11	WIRE (FLAT TYPE) (21 CORE)	
104	1-837-219-11	WIRE (FLAT TYPE) (31 CORE)	
105	A-1707-058-A	SH-TAS BOARD, COMPLETE	
106	3-087-053-11	+BVTP2.6 (3CR)	
107	X-2349-538-1	JOG-DIAL-ASSY	
108	4-139-639-01	JOG DIAL (ENTER)	

Ref. No.	Part No.	Description	Remark
109	1-837-221-11	WIRE (FLAT TYPE) (17 CORE)	
110	1-828-971-11	WIRE (FLAT TYPE) (13 CORE)	
111	1-880-506-11	MAIN TO PANEL FFC PWB	
112	A-1707-040-A	PANEL FUNCTION BOARD, COMPLETE	
113	1-837-216-11	WIRE (FLAT TYPE) (31 CORE)	
114	X-2349-539-1	BTN-ENTER-A-ASSY	
115	X-2349-540-1	BTN-ENTER-B-ASSY	
#1	7-685-646-79	SCREW +BVTP 3X8 TYPE2 IT-3	

Note: If the wire (flat type) was replaced, fold it some as the wire (flat type) before replacement.

6-4. TOP PANEL SECTION-2

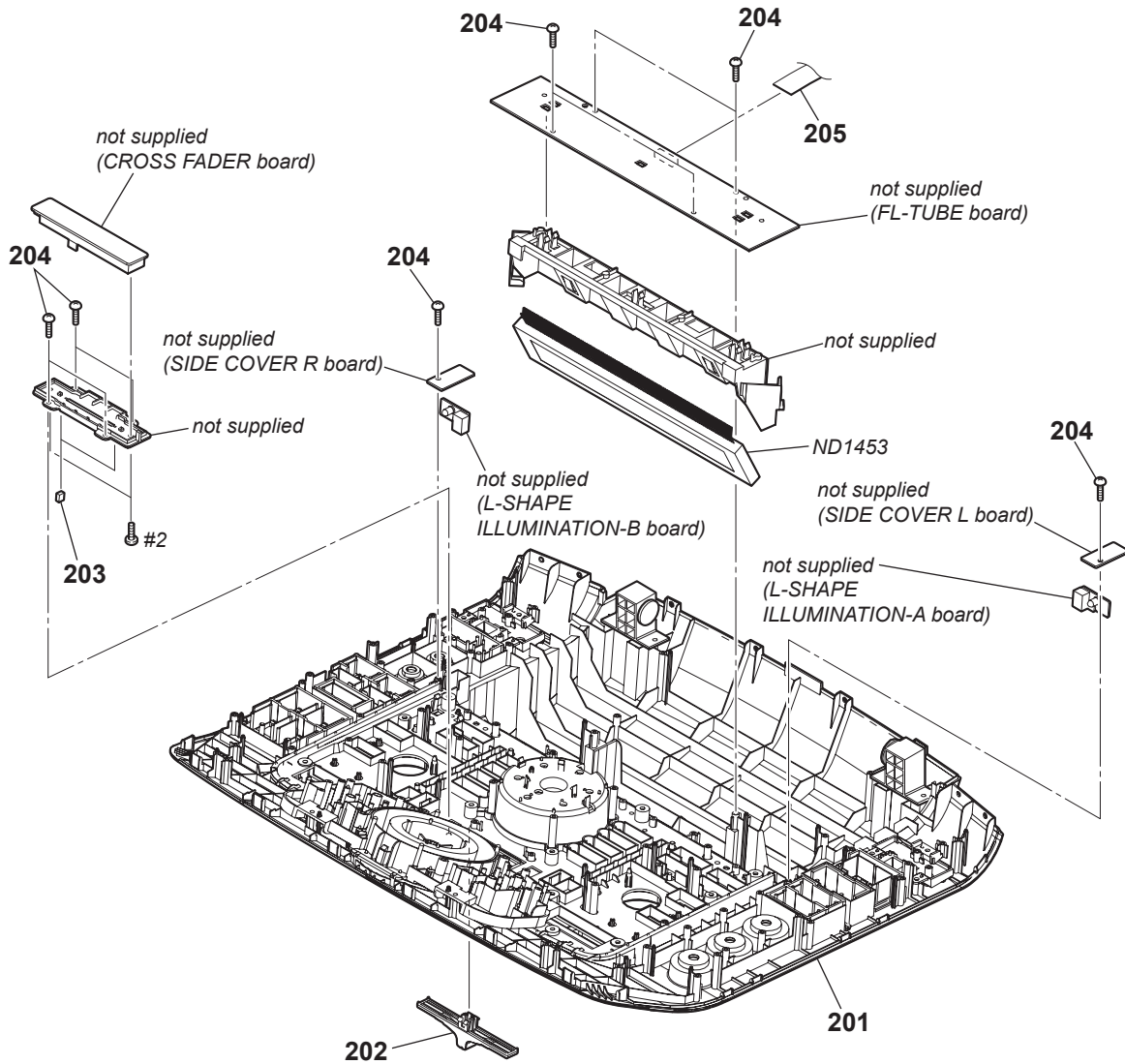


Ref. No.	Part No.	Description	Remark
151	3-087-053-11	+BVTP2.6 (3CR)	
152	4-139-676-01	KNOB (EQ)	
153	4-139-608-01	KNOB (VOL)	
154	4-139-678-01	KNOB (MIC)	

Ref. No.	Part No.	Description	Remark
155	1-457-368-11	CORE, FERRITE	
156	3-655-653-11	BAND (TAITON), BINDING	
#1	7-685-646-79	SCREW +BVTP 3X8 TYPE2 IT-3	

Note: If the wire (flat type) was replaced, fold it some as the wire (flat type) before replacement.

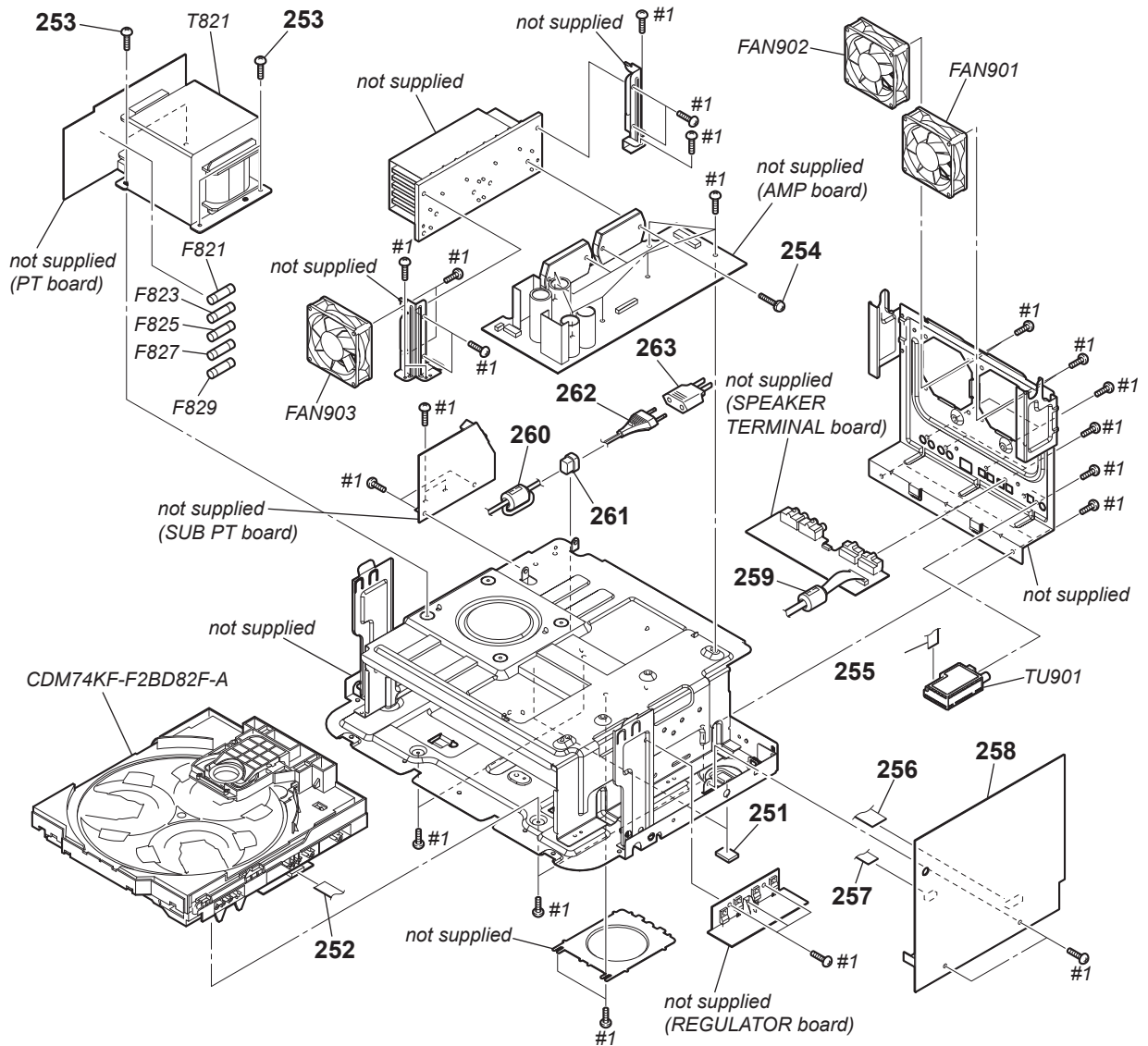
6-5. TOP PANEL SECTION-3



Ref. No.	Part No.	Description	Remark	Ref. No.	Part No.	Description	Remark
201	X-2349-543-1	TOP PANEL ASSY		205	1-837-243-11	WIRE (FLAT TYPE) (13 CORE)	
202	4-139-640-11	KNOB (FADER)		ND1453	1-483-086-11	INDICATOR TUBE, FLUORESCENT	
203	4-139-731-01	CUSION (FADER)		#2	7-682-547-09	SCREW +B 3X6	
204	3-087-053-11	+BVTP2.6 (3CR)					

Note: If the wire (flat type) was replaced, fold it some as the wire (flat type) before replacement.

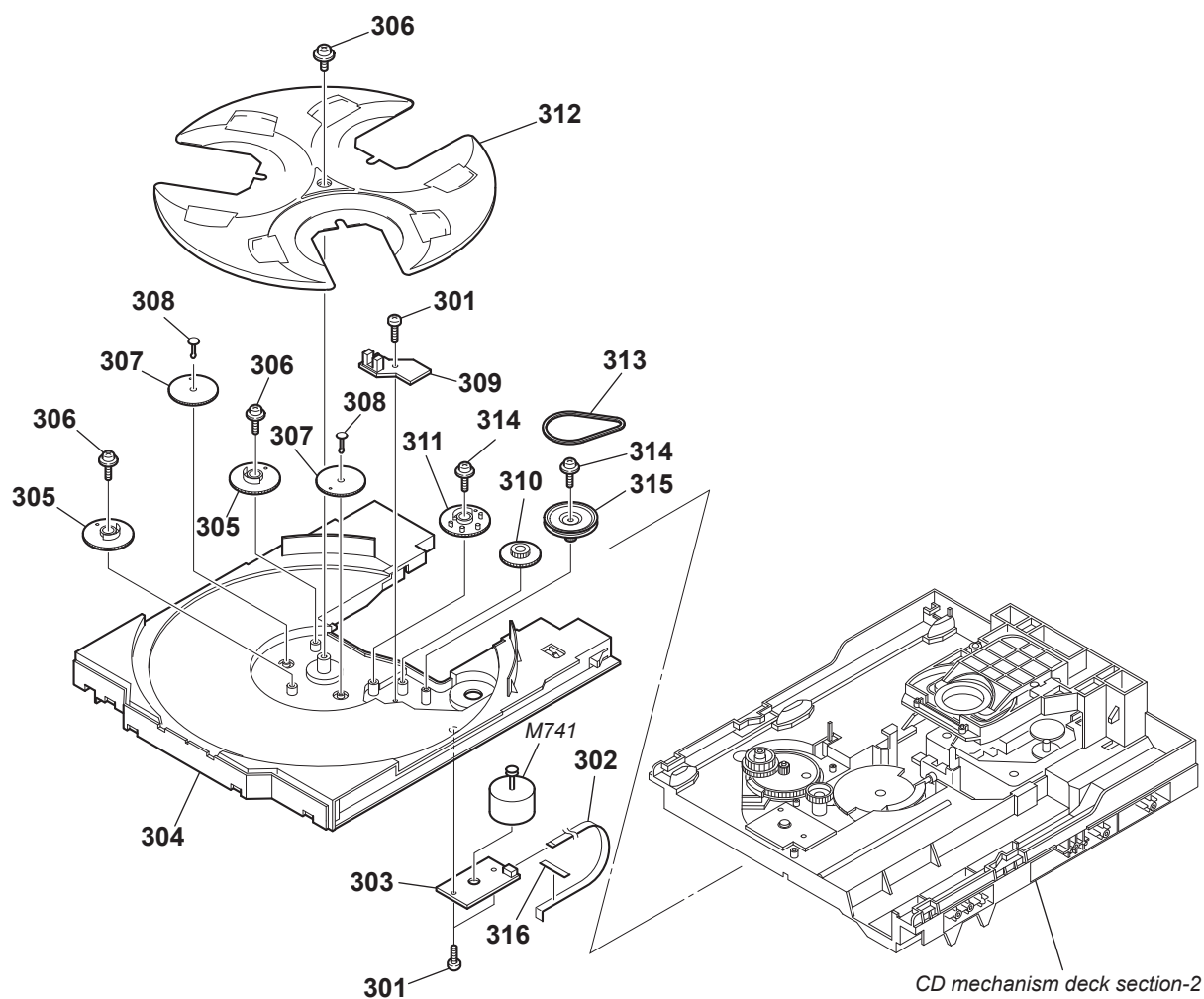
6-6. CHASSIS SECTION



Ref. No.	Part No.	Description	Remark	Ref. No.	Part No.	Description	Remark
251	4-147-917-01	FOOT (8X12.5)		△ 262	1-783-820-11	CORD, POWER (MX)	
252	1-837-214-11	WIRE (FLAT TYPE) (13 CORE)		△ 263	1-569-008-21	ADAPTOR, CONVERSION (E2,E3,E51)	
253	4-900-386-01	SCREW		△ F821	1-576-332-33	FUSE, CYLINDRICAL (TIME LAG) (T10AL/250V)	
254	3-905-609-31	SCREW (TRANSISTOR)		△ F823	1-576-332-33	FUSE, CYLINDRICAL (TIME LAG) (T10AL/250V)	
255	1-837-217-11	WIRE (FLAT TYPE) (9 CORE)		△ F825	1-576-332-33	FUSE, CYLINDRICAL (TIME LAG) (T10AL/250V)	
256	1-837-215-11	WIRE (FLAT TYPE) (19 CORE)		△ F827	1-576-332-33	FUSE, CYLINDRICAL (TIME LAG) (T10AL/250V)	
257	1-837-213-11	WIRE (FLAT TYPE) (9 CORE)		△ F829	1-532-504-33	FUSE (4A/250V)	
258	A-1707-066-A	MAIN BOARD, COMPLETE (E2)		FAN901	1-763-372-11	FAN, DC	
258	A-1707-067-A	MAIN BOARD, COMPLETE (E51)		FAN902	1-763-372-11	FAN, DC	
258	A-1707-069-A	MAIN BOARD, COMPLETE (MX)		FAN903	1-787-344-11	FAN, DC	
258	A-1707-071-A	MAIN BOARD, COMPLETE (E3)		△ T821	1-445-645-11	TRANSFORMER, POWER (MAIN) (E2,E3,E51)	
259	1-457-368-11	CORE, FERRITE		△ T821	1-445-646-11	TRANSFORMER, POWER (MAIN) (MX)	
260	1-457-369-12	CORE, FERRITE		TU901	1-693-778-11	TUNER (FM/AM) (ANTENNA)	
261	3-703-244-00	BUSHING, CORD (2104)		#1	7-685-646-79	SCREW +BVTP 3X8 TYPE2 IT-3	
△ 262	1-777-071-23	CORD, POWER (E2,E3,E51)					

Note: If the wire (flat type) was replaced, fold it some as the wire (flat type) before replacement.

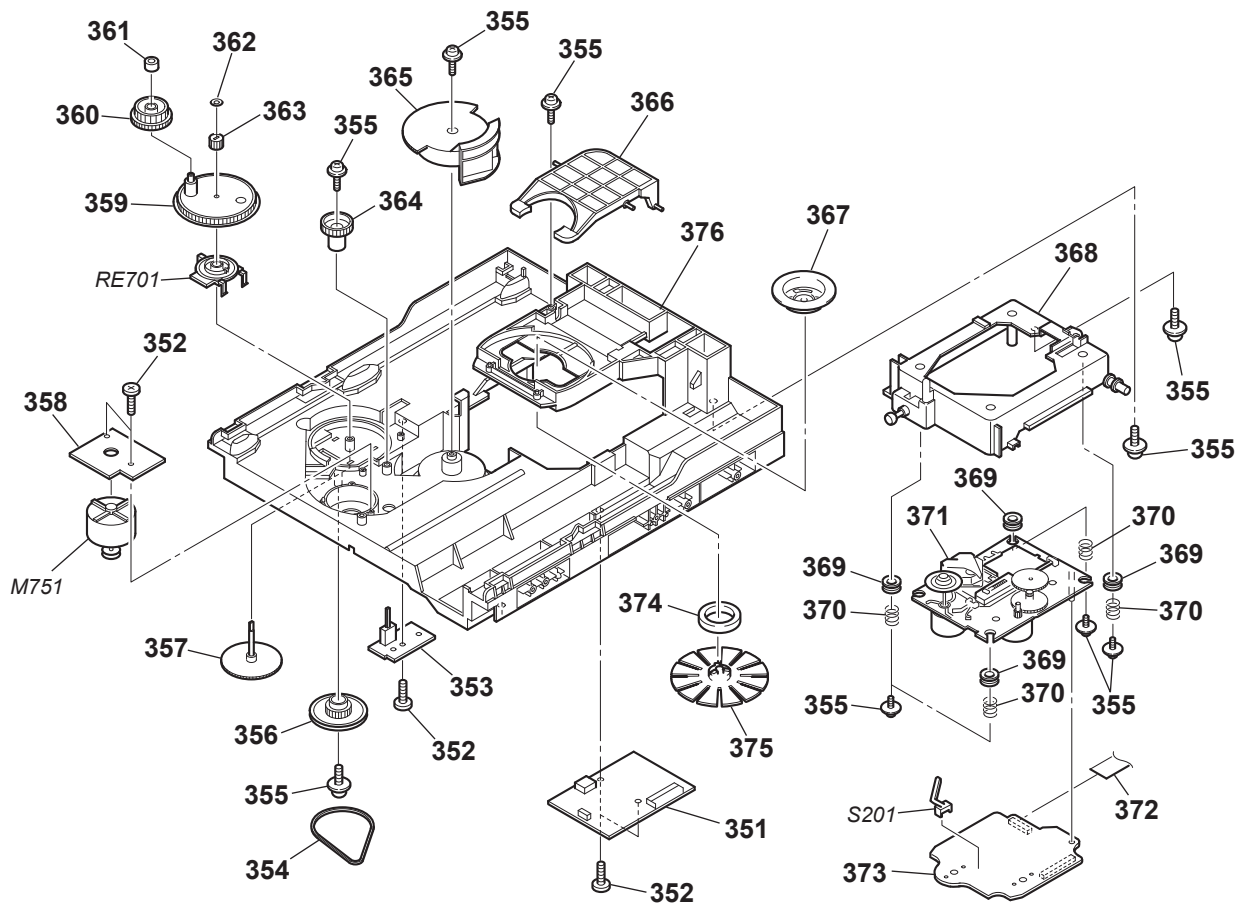
6-7. CD MECHANISM DECK SECTION-1 (CDM74KF-F2BD82F-A)



Ref. No.	Part No.	Description	Remark	Ref. No.	Part No.	Description	Remark
301	4-218-253-62	SCREW (M2.6), +BTTP		310	4-243-820-01	GEAR (TABLE)	
302	1-828-938-51	WIRE (FLAT TYPE) (5 CORE)		311	4-243-819-01	GEAR (GENEVA)	
303	1-687-134-12	MOTOR (TB) BOARD		312	4-243-816-11	TRAY	
304	4-243-815-11	TABLE (LOADING)		313	4-243-823-11	BELT (TABLE)	
305	4-245-571-02	GEAR (STOPPER)		314	4-985-672-01	SCREW (+PTPWH M2.6), FLOATING	
306	4-218-252-61	SCREW (+PTPWH M2.6), FLOATING		315	4-243-821-01	PULLEY (TABLE)	
307	4-245-570-01	GEAR (JOINT)		316	3-231-598-01	SHEET (BA)	
308	4-245-572-01	BUSHING (GEAR)		M741	A-1108-965-A	MOTOR ASSY, TABLE (TABLE)	
309	1-687-132-12	SENSOR BOARD					

Note: If the wire (flat type) was replaced, fold it some as the wire (flat type) before replacement.

6-8. CD MECHANISM DECK SECTION-2
(CDM74KF-F2BD82F-A)



Ref. No.	Part No.	Description	Remark	Ref. No.	Part No.	Description	Remark
351	A-1103-756-B	DRIVER BOARD, COMPLETE		366	4-243-822-02	LEVER (LIFTER)	
352	4-218-253-52	SCREW (M2.6), +BTTP		367	4-231-189-01	PULLEY (B), CHUCKING	
353	1-687-669-12	SW BOARD		368	X-2055-190-1	HOLDER (213) ASSY	
354	4-244-034-11	BELT (LOADING)		369	4-227-549-11	INSULATOR	
355	4-985-672-01	SCREW (+PTPWH M2.6), FLOATING		370	4-227-045-11	SPRING (INSULATOR), COIL	
356	4-225-844-01	GEAR (LOADING A)		△ 371	8-820-272-02	OPTICAL PICK-UP (KSM-215DHAP/C2RP)	
357	4-224-613-11	GEAR (SHAFT)		372	1-834-268-11	WIRE (FLAT TYPE) (16 CORE)	
358	1-687-133-12	MOTOR (LD) BOARD		373	A-1643-077-A	BD BOARD, COMPLETE	
359	4-244-108-01	GEAR, SWING		374	1-471-035-21	MAGNET	
360	4-224-609-01	GEAR (LOADING C)		375	X-2102-809-3	PULLEY (KH) ASSY	
361	4-224-608-01	COLLAR, SWING		376	4-243-817-22	CHASSIS	
362	3-016-533-11	WASHER (FR), STOPPER		M751	A-1108-966-A	MOTOR ASSY, LOADING (LOADING)	
363	4-224-611-01	GEAR (LOADING B)		RE701	1-477-680-12	ENCODER, ROTARY (DISC TRAY ADDRESS DETECT)	
364	4-224-606-01	GEAR (RV)		S201	1-771-853-11	SWITCH, DETECTION (LIMIT IN)	
365	4-243-818-01	GEAR (U/D)					

Note: If the wire (flat type) was replaced, fold it some as the wire (flat type) before replacement.

SECTION 7
ELECTRICAL PARTS LIST

AMP

Note:

- Due to standardization, replacements in the parts list may be different from the parts specified in the diagrams or the components used on the set.
- -XX and -X mean standardized parts, so they may have some difference from the original one.
- Items marked "*" are not stocked since they are seldom required for routine service. Some delay should be anticipated when ordering these items.
- RESISTORS
All resistors are in ohms.
METAL: Metal-film resistor.
METAL OXIDE: Metal oxide-film resistor.
F: nonflammable

- CAPACITORS
uF: μF
- COILS
uH: μH
- SEMICONDUCTORS
In each case, u: μ, for example:
uA. . . : μA. . . , uPA. . . , μPA. . . ,
uPB. . . : μPB. . . , uPC. . . , μPC. . . ,
uPD. . . : μPD. . .
- Abbreviation
E2 : 120V AC area in E model
E3 : 240V AC area in E model
E51 : Chilean and Peruvian models
MX : Mexican model

When indicating parts by reference number, please include the board name.

The components identified by mark △ or dotted line with mark △ are critical for safety.
Replace only with part number specified.

Ref. No.	Part No.	Description	Remark	Ref. No.	Part No.	Description	Remark
		AMP BOARD *****		C964	1-136-497-81	FILM 0.1uF 5%	50V
				C965	1-136-497-81	FILM 0.1uF 5%	50V
	7-685-646-79	SCREW +BVTP 3X8 TYPE2 IT-3		C980	1-136-497-81	FILM 0.1uF 5%	50V
		< CAPACITOR >		C981	1-136-497-81	FILM 0.1uF 5%	50V
△ C850	1-130-777-00	MYLAR 0.1uF 5%	100V	C984	1-136-497-81	FILM 0.1uF 5%	50V
△ C851	1-130-777-00	MYLAR 0.1uF 5%	100V				
C852	1-136-497-81	FILM 0.1uF 5%	50V				
C853	1-136-497-81	FILM 0.1uF 5%	50V				
△ C854	1-127-815-11	ELECT(BLOCK) 3300uF 20%	100V	C985	1-136-497-81	FILM 0.1uF 5%	50V
		< CONNECTOR >					
△ C855	1-127-815-11	ELECT(BLOCK) 3300uF 20%	100V	* CN116	1-564-506-11	PLUG, CONNECTOR 3P	
C856	1-112-035-11	ELECT(BLOCK) 4700uF 20%	50V	CN854	1-785-106-11	PIN, CONNECTOR (3.96mm PITCH) 8P	
C857	1-112-035-11	ELECT(BLOCK) 4700uF 20%	50V	CN855	1-784-921-11	PIN, CONNECTOR 4P	
C858	1-126-923-91	ELECT 220uF 20%	10V	CN856	1-779-978-11	PIN, CONNECTOR 3P	
C859	1-104-662-91	ELECT 22uF 20%	25V	CN857	1-784-929-11	PIN, CONNECTOR 14P	
		< ENCAPSULATED COMPONENT >					
C860	1-126-959-11	ELECT 0.47uF 20%	50V	CP905	1-234-798-11	ENCAPSULATED COMPONENT	
C870	1-126-960-11	ELECT 1uF 20%	50V	CP915	1-234-798-11	ENCAPSULATED COMPONENT	
△ C901	1-128-563-11	ELECT 100uF 20%	100V	CP935	1-234-798-11	ENCAPSULATED COMPONENT	
△ C902	1-128-563-11	ELECT 100uF 20%	100V	CP945	1-234-798-11	ENCAPSULATED COMPONENT	
C905	1-162-908-11	CERAMIC CHIP 3PF 0.25PF	50V				
		< DIODE >					
C906	1-164-315-11	CERAMIC CHIP 470PF 5%	50V	D850	8-719-073-32	DIODE D25XB60	
C907	1-104-658-91	ELECT 100uF 20%	10V	D851	6-500-249-01	DIODE D15XB20	
C908	1-126-961-11	ELECT 2.2uF 20%	50V	D860	6-501-817-01	DIODE MA2J1110GLS0	
C909	1-162-962-11	CERAMIC CHIP 470PF 10%	50V	D861	6-501-817-01	DIODE MA2J1110GLS0	
C915	1-162-908-11	CERAMIC CHIP 3PF 0.25PF	50V	D870	6-500-335-01	DIODE MC2838-T112-1	
C916	1-164-315-11	CERAMIC CHIP 470PF 5%	50V	D875	6-501-817-01	DIODE MA2J1110GLS0	
C917	1-104-658-91	ELECT 100uF 20%	10V	D900	6-501-767-01	DIODE MAZ8120GLLS0	
C918	1-126-961-11	ELECT 2.2uF 20%	50V	D901	6-501-767-01	DIODE MAZ8120GLLS0	
C919	1-162-962-11	CERAMIC CHIP 470PF 10%	50V	D902	6-500-968-21	DIODE 30PRA20FC	
C925	1-100-597-91	CERAMIC CHIP 0.1uF 10%	25V	D903	6-500-968-21	DIODE 30PRA20FC	
△ C930	1-128-563-11	ELECT 100uF 20%	100V	D904	6-500-334-01	DIODE MC2836-T112-1	
△ C931	1-128-563-11	ELECT 100uF 20%	100V	D930	6-501-767-01	DIODE MAZ8120GLLS0	
C935	1-162-908-11	CERAMIC CHIP 3PF 0.25PF	50V	D931	6-501-767-01	DIODE MAZ8120GLLS0	
C936	1-164-315-11	CERAMIC CHIP 470PF 5%	50V	D932	6-500-968-21	DIODE 30PRA20FC	
C937	1-104-658-91	ELECT 100uF 20%	10V	D933	6-500-968-21	DIODE 30PRA20FC	
C938	1-126-961-11	ELECT 2.2uF 20%	50V	D934	6-500-334-01	DIODE MC2836-T112-1	
C939	1-162-962-11	CERAMIC CHIP 470PF 10%	50V	D960	6-501-817-01	DIODE MA2J1110GLS0	
C945	1-162-908-11	CERAMIC CHIP 3PF 0.25PF	50V	D980	6-501-817-01	DIODE MA2J1110GLS0	
C946	1-164-315-11	CERAMIC CHIP 470PF 5%	50V	D981	6-501-817-01	DIODE MA2J1110GLS0	
C947	1-104-658-91	ELECT 100uF 20%	10V	D982	6-501-730-01	DIODE MAZ8051GMLS0	
		< GROUND TERMINAL >					
C948	1-126-961-11	ELECT 2.2uF 20%	50V	ET850	1-537-771-21	TERMINAL BOARD, GROUND	
C949	1-162-962-11	CERAMIC CHIP 470PF 10%	50V	ET851	1-537-771-21	TERMINAL BOARD, GROUND	
C955	1-100-597-91	CERAMIC CHIP 0.1uF 10%	25V				
C960	1-136-497-81	FILM 0.1uF 5%	50V				
C961	1-136-497-81	FILM 0.1uF 5%	50V				

Ref. No.	Part No.	Description	Remark	Ref. No.	Part No.	Description	Remark
		< IC >		R891	1-216-864-11	SHORT CHIP	0
IC900	6-714-165-01	IC STK412-740-E		R892	1-216-864-11	SHORT CHIP	0
IC930	6-714-165-01	IC STK412-740-E		R893	1-216-864-11	SHORT CHIP	0
		< JUMPER RESISTOR >		R894	1-216-864-11	SHORT CHIP	0
				R895	1-216-864-11	SHORT CHIP	0
JR801	1-216-864-11	SHORT CHIP	0	△ R900	1-215-872-11	METAL OXIDE	3.3K 5% 1W F
JR802	1-216-864-11	SHORT CHIP	0	△ R901	1-215-872-11	METAL OXIDE	3.3K 5% 1W F
JR803	1-216-864-11	SHORT CHIP	0	△ R902	1-217-637-55	FUSIBLE	1 5% 1/4W F
JR804	1-216-864-11	SHORT CHIP	0	△ R903	1-212-982-00	FUSIBLE	100 5% 1/2W F
JR805	1-216-864-11	SHORT CHIP	0	△ R904	1-212-982-00	FUSIBLE	100 5% 1/2W F
JR806	1-216-864-11	SHORT CHIP	0	R905	1-216-817-11	METAL CHIP	470 5% 1/10W
JR807	1-216-864-11	SHORT CHIP	0	R906	1-216-837-11	METAL CHIP	22K 5% 1/10W
JR808	1-216-864-11	SHORT CHIP	0	R908	1-216-845-11	METAL CHIP	100K 5% 1/10W
		< TRANSISTOR >		R909	1-216-818-11	METAL CHIP	560 5% 1/10W
Q850	8-729-620-07	TRANSISTOR	2SC3052EF-T1-LEF	R910	1-216-842-11	METAL CHIP	56K 5% 1/10W
Q855	8-729-620-07	TRANSISTOR	2SC3052EF-T1-LEF	R911	1-216-825-11	METAL CHIP	2.2K 5% 1/10W
Q856	8-729-620-07	TRANSISTOR	2SC3052EF-T1-LEF	R912	1-216-842-11	METAL CHIP	56K 5% 1/10W
Q860	6-551-696-01	TRANSISTOR	ISA1235AC1TP-1EF	R915	1-216-817-11	METAL CHIP	470 5% 1/10W
Q861	6-551-268-01	TRANSISTOR	2SC5625	R916	1-216-837-11	METAL CHIP	22K 5% 1/10W
Q865	6-551-268-01	TRANSISTOR	2SC5625	R918	1-216-845-11	METAL CHIP	100K 5% 1/10W
Q866	6-551-268-01	TRANSISTOR	2SC5625	R919	1-216-818-11	METAL CHIP	560 5% 1/10W
Q870	6-551-268-01	TRANSISTOR	2SC5625	R920	1-216-842-11	METAL CHIP	56K 5% 1/10W
Q905	6-551-268-01	TRANSISTOR	2SC5625	R921	1-216-825-11	METAL CHIP	2.2K 5% 1/10W
Q915	6-551-268-01	TRANSISTOR	2SC5625	R922	1-216-842-11	METAL CHIP	56K 5% 1/10W
Q935	6-551-268-01	TRANSISTOR	2SC5625	R923	1-216-845-11	METAL CHIP	100K 5% 1/10W
Q945	6-551-268-01	TRANSISTOR	2SC5625	R924	1-216-821-11	METAL CHIP	1K 5% 1/10W
Q960	8-729-620-07	TRANSISTOR	2SC3052EF-T1-LEF	△ R930	1-215-872-11	METAL OXIDE	3.3K 5% 1W F
Q980	8-729-620-07	TRANSISTOR	2SC3052EF-T1-LEF	△ R931	1-215-872-11	METAL OXIDE	3.3K 5% 1W F
Q981	6-551-690-01	TRANSISTOR	RT3N11M-TP-1	△ R932	1-217-637-55	FUSIBLE	1 5% 1/4W F
		< RESISTOR >		△ R933	1-212-982-00	FUSIBLE	100 5% 1/2W F
R851	1-216-849-11	METAL CHIP	220K 5% 1/10W	△ R934	1-212-982-00	FUSIBLE	100 5% 1/2W F
R852	1-216-849-11	METAL CHIP	220K 5% 1/10W	R935	1-216-817-11	METAL CHIP	470 5% 1/10W
R854	1-216-845-11	METAL CHIP	100K 5% 1/10W	R936	1-216-837-11	METAL CHIP	22K 5% 1/10W
R855	1-216-845-11	METAL CHIP	100K 5% 1/10W	R938	1-216-845-11	METAL CHIP	100K 5% 1/10W
R856	1-216-821-11	METAL CHIP	1K 5% 1/10W	R939	1-216-818-11	METAL CHIP	560 5% 1/10W
R857	1-216-821-11	METAL CHIP	1K 5% 1/10W	R940	1-216-842-11	METAL CHIP	56K 5% 1/10W
R860	1-216-841-11	METAL CHIP	47K 5% 1/10W	R941	1-216-825-11	METAL CHIP	2.2K 5% 1/10W
R861	1-216-833-11	METAL CHIP	10K 5% 1/10W	R942	1-216-842-11	METAL CHIP	56K 5% 1/10W
R862	1-216-837-11	METAL CHIP	22K 5% 1/10W	R943	1-216-841-11	METAL CHIP	47K 5% 1/10W
R863	1-216-821-11	METAL CHIP	1K 5% 1/10W	R944	1-216-841-11	METAL CHIP	47K 5% 1/10W
R864	1-216-829-11	METAL CHIP	4.7K 5% 1/10W	R945	1-216-817-11	METAL CHIP	470 5% 1/10W
R865	1-216-815-11	METAL CHIP	330 5% 1/10W	R946	1-216-837-11	METAL CHIP	22K 5% 1/10W
R866	1-216-840-11	METAL CHIP	39K 5% 1/10W	R948	1-216-845-11	METAL CHIP	100K 5% 1/10W
R867	1-216-841-11	METAL CHIP	47K 5% 1/10W	R949	1-216-818-11	METAL CHIP	560 5% 1/10W
R868	1-216-841-11	METAL CHIP	47K 5% 1/10W	R950	1-216-842-11	METAL CHIP	56K 5% 1/10W
R869	1-216-845-11	METAL CHIP	100K 5% 1/10W	R951	1-216-825-11	METAL CHIP	2.2K 5% 1/10W
R870	1-216-837-11	METAL CHIP	22K 5% 1/10W	R952	1-216-845-11	METAL CHIP	100K 5% 1/10W
R871	1-216-829-11	METAL CHIP	4.7K 5% 1/10W	R953	1-216-842-11	METAL CHIP	56K 5% 1/10W
R875	1-216-837-11	METAL CHIP	22K 5% 1/10W	R954	1-216-841-11	METAL CHIP	47K 5% 1/10W
R876	1-216-837-11	METAL CHIP	22K 5% 1/10W	R960	1-216-797-11	METAL CHIP	10 5% 1/10W
R877	1-216-837-11	METAL CHIP	22K 5% 1/10W	R961	1-216-797-11	METAL CHIP	10 5% 1/10W
R878	1-216-837-11	METAL CHIP	22K 5% 1/10W	R962	1-216-797-11	METAL CHIP	10 5% 1/10W
R879	1-216-827-11	METAL CHIP	3.3K 5% 1/10W	R963	1-216-797-11	METAL CHIP	10 5% 1/10W
R880	1-216-837-11	METAL CHIP	22K 5% 1/10W	R964	1-216-797-11	METAL CHIP	10 5% 1/10W
R881	1-216-841-11	METAL CHIP	47K 5% 1/10W	R965	1-216-797-11	METAL CHIP	10 5% 1/10W
R882	1-216-842-11	METAL CHIP	56K 5% 1/10W	R966	1-216-797-11	METAL CHIP	10 5% 1/10W
R883	1-216-841-11	METAL CHIP	47K 5% 1/10W	R967	1-216-797-11	METAL CHIP	10 5% 1/10W
R884	1-216-842-11	METAL CHIP	56K 5% 1/10W	R968	1-216-807-11	METAL CHIP	68 5% 1/10W
				R969	1-216-809-11	METAL CHIP	100 5% 1/10W
				R970	1-216-809-11	METAL CHIP	100 5% 1/10W

AMP **BD**

Ref. No.	Part No.	Description	Remark	Ref. No.	Part No.	Description	Remark
R971	1-216-807-11	METAL CHIP	68 5% 1/10W	C217	1-164-360-11	CERAMIC CHIP 0.1uF	16V
R972	1-216-809-11	METAL CHIP	100 5% 1/10W	C218	1-164-360-11	CERAMIC CHIP 0.1uF	16V
R973	1-216-809-11	METAL CHIP	100 5% 1/10W	C219	1-164-360-11	CERAMIC CHIP 0.1uF	16V
R974	1-216-829-11	METAL CHIP	4.7K 5% 1/10W	C220	1-164-360-11	CERAMIC CHIP 0.1uF	16V
R975	1-216-845-11	METAL CHIP	100K 5% 1/10W	C232	1-164-360-11	CERAMIC CHIP 0.1uF	16V
R976	1-216-840-11	METAL CHIP	39K 5% 1/10W	C251	1-164-315-11	CERAMIC CHIP 470PF	5% 50V
R977	1-216-840-11	METAL CHIP	39K 5% 1/10W	C252	1-162-967-11	CERAMIC CHIP 0.0033uF	10% 50V
R980	1-216-797-11	METAL CHIP	10 5% 1/10W	C253	1-164-315-11	CERAMIC CHIP 470PF	5% 50V
R981	1-216-797-11	METAL CHIP	10 5% 1/10W	C254	1-162-967-11	CERAMIC CHIP 0.0033uF	10% 50V
R982	1-216-797-11	METAL CHIP	10 5% 1/10W	C256	1-107-826-11	CERAMIC CHIP 0.1uF	10% 16V
R983	1-216-797-11	METAL CHIP	10 5% 1/10W	C257	1-107-826-11	CERAMIC CHIP 0.1uF	10% 16V
R984	1-216-797-11	METAL CHIP	10 5% 1/10W	C258	1-164-388-91	CERAMIC CHIP 270PF	5% 50V
R985	1-216-797-11	METAL CHIP	10 5% 1/10W	C259	1-162-927-11	CERAMIC CHIP 100PF	5% 50V
R986	1-216-797-11	METAL CHIP	10 5% 1/10W	C260	1-117-863-11	CERAMIC CHIP 0.47uF	10% 6.3V
R987	1-216-797-11	METAL CHIP	10 5% 1/10W	C261	1-162-970-11	CERAMIC CHIP 0.01uF	10% 25V
R988	1-216-807-11	METAL CHIP	68 5% 1/10W	C264	1-162-965-11	CERAMIC CHIP 0.0015uF	10% 50V
R989	1-216-809-11	METAL CHIP	100 5% 1/10W	C265	1-107-826-11	CERAMIC CHIP 0.1uF	10% 16V
R990	1-216-809-11	METAL CHIP	100 5% 1/10W	C267	1-162-910-11	CERAMIC CHIP 5PF	0.25PF 50V
R991	1-216-807-11	METAL CHIP	68 5% 1/10W	C268	1-162-910-11	CERAMIC CHIP 5PF	0.25PF 50V
R992	1-216-809-11	METAL CHIP	100 5% 1/10W	C269	1-124-778-00	ELECT CHIP 22uF	20% 6.3V
R993	1-216-809-11	METAL CHIP	100 5% 1/10W	C270	1-124-778-00	ELECT CHIP 22uF	20% 6.3V
R994	1-216-829-11	METAL CHIP	4.7K 5% 1/10W	C271	1-107-826-11	CERAMIC CHIP 0.1uF	10% 16V
R995	1-216-845-11	METAL CHIP	100K 5% 1/10W	C272	1-164-360-11	CERAMIC CHIP 0.1uF	16V
R996	1-216-840-11	METAL CHIP	39K 5% 1/10W	C291	1-164-315-11	CERAMIC CHIP 470PF	5% 50V
R997	1-216-840-11	METAL CHIP	39K 5% 1/10W	C292	1-164-315-11	CERAMIC CHIP 470PF	5% 50V
R998	1-216-837-11	METAL CHIP	22K 5% 1/10W	C301	1-164-360-11	CERAMIC CHIP 0.1uF	16V
R999	1-216-827-11	METAL CHIP	3.3K 5% 1/10W	C302	1-137-710-91	CERAMIC CHIP 10uF	20% 6.3V
		< RELAY >		C303	1-137-710-91	CERAMIC CHIP 10uF	20% 6.3V
△ RY960	1-755-308-21	RELAY		C321	1-162-964-11	CERAMIC CHIP 0.001uF	10% 50V
△ RY980	1-755-308-21	RELAY		C322	1-115-156-11	CERAMIC CHIP 1uF	10V
		< THERMISTOR >		C323	1-128-995-21	ELECT CHIP 100uF	20% 10V
△ TH851	1-807-796-11	THERMISTOR		C401	1-128-396-11	ELECT CHIP 470uF	20% 10V
*****				C403	1-164-360-11	CERAMIC CHIP 0.1uF	16V
	A-1643-077-A	BD BOARD, COMPLETE		C404	1-164-360-11	CERAMIC CHIP 0.1uF	16V
		*****		C405	1-164-360-11	CERAMIC CHIP 0.1uF	16V
		< CAPACITOR >		C421	1-107-826-11	CERAMIC CHIP 0.1uF	10% 16V
C101	1-162-919-11	CERAMIC CHIP 22PF	5% 50V	C422	1-107-826-11	CERAMIC CHIP 0.1uF	10% 16V
C102	1-162-919-11	CERAMIC CHIP 22PF	5% 50V	C423	1-162-927-11	CERAMIC CHIP 100PF	5% 50V
C103	1-162-919-11	CERAMIC CHIP 22PF	5% 50V	C424	1-162-970-11	CERAMIC CHIP 0.01uF	10% 25V
C104	1-164-230-11	CERAMIC CHIP 220PF	5% 50V	C425	1-162-968-11	CERAMIC CHIP 0.0047uF	10% 50V
C105	1-162-919-11	CERAMIC CHIP 22PF	5% 50V	C428	1-107-826-11	CERAMIC CHIP 0.1uF	10% 16V
C106	1-164-230-11	CERAMIC CHIP 220PF	5% 50V	C429	1-107-826-11	CERAMIC CHIP 0.1uF	10% 16V
C201	1-128-995-21	ELECT CHIP 100uF	20% 10V	C430	1-107-826-11	CERAMIC CHIP 0.1uF	10% 16V
C202	1-164-360-11	CERAMIC CHIP 0.1uF	16V	C440	1-164-230-11	CERAMIC CHIP 220PF	5% 50V
C203	1-128-995-21	ELECT CHIP 100uF	20% 10V			< CONNECTOR >	
C204	1-164-360-11	CERAMIC CHIP 0.1uF	16V	CN101	1-770-702-21	CONNECTOR, FFC/FPC 19P	
C205	1-164-360-11	CERAMIC CHIP 0.1uF	16V	CN301	1-770-425-51	CONNECTOR, FFC/FPC 16P	
C206	1-164-360-11	CERAMIC CHIP 0.1uF	16V			< DIODE >	
C207	1-128-995-21	ELECT CHIP 100uF	20% 10V	D440	8-719-058-24	DIODE RB501V-40TE-17	
C208	1-164-360-11	CERAMIC CHIP 0.1uF	16V	D441	8-719-058-24	DIODE RB501V-40TE-17	
C210	1-164-360-11	CERAMIC CHIP 0.1uF	16V			< IC >	
C211	1-128-995-21	ELECT CHIP 100uF	20% 10V	IC201	8-752-425-12	IC CXD3059AR	
C212	1-164-360-11	CERAMIC CHIP 0.1uF	16V	IC401	8-759-713-71	IC AN41050	
C213	1-164-360-11	CERAMIC CHIP 0.1uF	16V			< TRANSISTOR >	
C214	1-164-360-11	CERAMIC CHIP 0.1uF	16V	Q321	6-551-120-01	TRANSISTOR 2SA2119K	
C215	1-164-360-11	CERAMIC CHIP 0.1uF	16V				

BD **BOTTOM SIRCS** **CROSS FADER** **DISC FUNCTION** **DRIVER**

Ref. No.	Part No.	Description	Remark
< RESISTOR >			
R101	1-216-809-11	METAL CHIP 100 5%	1/10W
R102	1-216-809-11	METAL CHIP 100 5%	1/10W
R103	1-216-809-11	METAL CHIP 100 5%	1/10W
R104	1-216-809-11	METAL CHIP 100 5%	1/10W
R105	1-216-809-11	METAL CHIP 100 5%	1/10W
R106	1-216-809-11	METAL CHIP 100 5%	1/10W
R201	1-500-445-21	FERRITE, EMI (SMD) (2012)	
R202	1-500-445-21	FERRITE, EMI (SMD) (2012)	
R203	1-216-295-91	SHORT CHIP 0	
R206	1-216-864-11	SHORT CHIP 0	
R252	1-216-835-11	METAL CHIP 15K 5%	1/10W
R253	1-216-821-11	METAL CHIP 1K 5%	1/10W
R254	1-216-835-11	METAL CHIP 15K 5%	1/10W
R255	1-216-821-11	METAL CHIP 1K 5%	1/10W
R256	1-216-835-11	METAL CHIP 15K 5%	1/10W
R257	1-216-857-11	METAL CHIP 1M 5%	1/10W
R258	1-216-841-11	METAL CHIP 47K 5%	1/10W
R259	1-216-833-11	METAL CHIP 10K 5%	1/10W
R260	1-216-864-11	SHORT CHIP 0	
R265	1-216-827-11	METAL CHIP 3.3K 5%	1/10W
R266	1-216-821-11	METAL CHIP 1K 5%	1/10W
R267	1-216-829-11	METAL CHIP 4.7K 5%	1/10W
R268	1-216-864-11	SHORT CHIP 0	
R269	1-216-809-11	METAL CHIP 100 5%	1/10W
R270	1-216-809-11	METAL CHIP 100 5%	1/10W
R272	1-216-864-11	SHORT CHIP 0	
R275	1-216-809-11	METAL CHIP 100 5%	1/10W
R276	1-216-841-11	METAL CHIP 47K 5%	1/10W
R277	1-216-809-11	METAL CHIP 100 5%	1/10W
R278	1-216-864-11	SHORT CHIP 0	
R279	1-216-864-11	SHORT CHIP 0	
R280	1-216-864-11	SHORT CHIP 0	
R281	1-469-324-21	FERRITE, EMI (SMD) (2012)	
R291	1-216-809-11	METAL CHIP 100 5%	1/10W
R292	1-216-809-11	METAL CHIP 100 5%	1/10W
R301	1-216-295-91	SHORT CHIP 0	
R302	1-216-295-91	SHORT CHIP 0	
R321	1-218-446-11	METAL CHIP 1 5%	1/10W
R322	1-216-791-11	METAL CHIP 3.3 5%	1/10W
R323	1-216-864-11	SHORT CHIP 0	
R324	1-216-845-11	METAL CHIP 100K 5%	1/10W
R325	1-216-864-11	SHORT CHIP 0	
R326	1-216-864-11	SHORT CHIP 0	
R401	1-216-295-91	SHORT CHIP 0	
R421	1-216-821-11	METAL CHIP 1K 5%	1/10W
R422	1-216-840-11	METAL CHIP 39K 5%	1/10W
R423	1-216-864-11	SHORT CHIP 0	
R425	1-216-833-11	METAL CHIP 10K 5%	1/10W
R426	1-216-837-11	METAL CHIP 22K 5%	1/10W
R432	1-216-864-11	SHORT CHIP 0	
R440	1-216-829-11	METAL CHIP 4.7K 5%	1/10W
< VIBRATOR >			
X201	1-813-379-11	VIBRATOR, CRYSTAL (67.7376MHz)	

Ref. No.	Part No.	Description	Remark
BOTTOM SIRCS BOARD *****			
< CAPACITOR >			
C1441	1-127-804-91	CERAMIC CHIP 100PF 1%	50V
C1442	1-162-966-11	CERAMIC CHIP 0.0022uF 10%	50V
C1443	1-126-157-11	ELECT 10uF 20%	16V
< IC >			
IC1441	6-600-768-01	IC PNA4823M03SO	
< RESISTOR >			
R1451	1-216-809-11	METAL CHIP 100 5%	1/10W

CROSS FADER BOARD *****			
< CAPACITOR >			
C1550	1-100-597-91	CERAMIC CHIP 0.1uF 10%	25V
C1551	1-127-804-91	CERAMIC CHIP 100PF 1%	50V
< CONNECTOR >			
CN1551	1-564-719-11	PIN, CONNECTOR (SMALL TYPE) 3P	
< RESISTOR >			
R1550	1-216-805-11	METAL CHIP 47 5%	1/10W
R1551	1-216-809-11	METAL CHIP 100 5%	1/10W
< VARIABLE RESISTOR >			
RV1550	1-227-860-11	RES, VAR (SLIDE TYPE) 10K (CROSS FADER (DJ MODE))	

DISC FUNCTION BOARD *****			
< RESISTOR >			
R1426	1-216-835-11	METAL CHIP 15K 5%	1/10W
R1427	1-216-837-11	METAL CHIP 22K 5%	1/10W
R1428	1-216-839-11	METAL CHIP 33K 5%	1/10W
< SWITCH >			
S1426	1-771-410-21	SWITCH, TACTILE (DISC 1)	
S1427	1-771-410-21	SWITCH, TACTILE (DISC 2)	
S1428	1-771-410-21	SWITCH, TACTILE (DISC 3)	

A-1103-756-B	DRIVER BOARD, COMPLETE *****		
< CAPACITOR >			
C715	1-126-933-11	ELECT 100uF 20%	16V
C731	1-126-964-11	ELECT 10uF 20%	50V
C735	1-164-159-21	CERAMIC 0.1uF	50V
C736	1-164-159-21	CERAMIC 0.1uF	50V
C737	1-164-159-21	CERAMIC 0.1uF	50V
C741	1-114-708-41	CERAMIC 0.01uF 10%	50V
C751	1-114-708-41	CERAMIC 0.01uF 10%	50V
C752	1-164-159-21	CERAMIC 0.1uF	50V

HCD-ZUX999

DRIVER **FL-TUBE** **HEADPHONE**

Ref. No.	Part No.	Description	Remark	Ref. No.	Part No.	Description	Remark
		< CONNECTOR >				< DIODE >	
CN701	1-784-735-11	CONNECTOR, FFC 13P		D1456	6-502-257-01	DIODE KDZTR9.1B	
CN702	1-784-766-11	CONNECTOR, FFC 5P				< IC >	
CN703	1-564-720-11	PIN, CONNECTOR (SMALL TYPE) 4P		IC1453	6-600-627-01	IC RPM7240-H13R (IR)	
CN704	1-785-328-11	PIN, CONNECTOR (LIGHT ANGLE) 2P				< FLUORESCENT INDICATOR TUBE >	
		< DIODE >		ND1453	1-483-086-11	INDICATOR TUBE, FLUORESCENT	
D701	8-719-921-42	DIODE MTZJ-5.1A				< TRANSISTOR >	
D711	8-719-109-69	DIODE RD3.6ESB2		Q1453	8-729-620-07	TRANSISTOR 2SC3052EF-T1-LEF	
		< IC >		Q1454	8-729-620-07	TRANSISTOR 2SC3052EF-T1-LEF	
IC701	8-759-598-69	IC BA6956AN		Q1455	8-729-620-07	TRANSISTOR 2SC3052EF-T1-LEF	
IC712	8-759-598-69	IC BA6956AN		Q1456	8-729-620-07	TRANSISTOR 2SC3052EF-T1-LEF	
		< TRANSISTOR >		Q1457	8-729-620-07	TRANSISTOR 2SC3052EF-T1-LEF	
Q731	8-729-029-66	TRANSISTOR DTC114ESA				< RESISTOR >	
		< RESISTOR >		R1453	1-216-797-11	METAL CHIP 10 5% 1/10W	
R701	1-249-413-11	CARBON 470 5% 1/4W		R1454	1-216-797-11	METAL CHIP 10 5% 1/10W	
R702	1-247-807-31	CARBON 100 5% 1/4W		R1455	1-216-843-11	METAL CHIP 68K 5% 1/10W	
R711	1-249-417-11	CARBON 1K 5% 1/4W		R1456	1-216-843-11	METAL CHIP 68K 5% 1/10W	
R712	1-249-425-11	CARBON 4.7K 5% 1/4W		R1457	1-216-809-11	METAL CHIP 100 5% 1/10W	
R713	1-249-433-11	CARBON 22K 5% 1/4W		R1458	1-216-809-11	METAL CHIP 100 5% 1/10W	
R721	1-249-425-11	CARBON 4.7K 5% 1/4W		R1459	1-216-845-11	METAL CHIP 100K 5% 1/10W	
R722	1-249-425-11	CARBON 4.7K 5% 1/4W		R1460	1-216-809-11	METAL CHIP 100 5% 1/10W	
R723	1-249-425-11	CARBON 4.7K 5% 1/4W		R1461	1-216-809-11	METAL CHIP 100 5% 1/10W	
R731	1-247-807-31	CARBON 100 5% 1/4W		R1462	1-216-845-11	METAL CHIP 100K 5% 1/10W	
R732	1-249-429-11	CARBON 10K 5% 1/4W		R1463	1-216-809-11	METAL CHIP 100 5% 1/10W	
R733	1-249-417-11	CARBON 1K 5% 1/4W		R1464	1-216-845-11	METAL CHIP 100K 5% 1/10W	
R734	1-249-430-11	CARBON 12K 5% 1/4W		R1465	1-216-845-11	METAL CHIP 100K 5% 1/10W	
R736	1-249-412-11	CARBON 390 5% 1/4W		R1466	1-216-845-11	METAL CHIP 100K 5% 1/10W	
R751	1-249-425-11	CARBON 4.7K 5% 1/4W		R1467	1-216-843-11	METAL CHIP 68K 5% 1/10W	

		FL-TUBE BOARD		R1468	1-216-843-11	METAL CHIP 68K 5% 1/10W	
		*****		R1469	1-216-843-11	METAL CHIP 68K 5% 1/10W	
		< CAPACITOR >		R1470	1-216-843-11	METAL CHIP 68K 5% 1/10W	
C1453	1-124-261-00	ELECT 10uF 20% 50V		R1471	1-216-843-11	METAL CHIP 68K 5% 1/10W	
C1454	1-124-261-00	ELECT 10uF 20% 50V		R1472	1-216-813-11	METAL CHIP 220 5% 1/10W	
C1455	1-100-597-91	CERAMIC CHIP 0.1uF 10% 25V		R1473	1-216-813-11	METAL CHIP 220 5% 1/10W	
C1456	1-100-597-91	CERAMIC CHIP 0.1uF 10% 25V		R1474	1-216-841-11	METAL CHIP 47K 5% 1/10W	
C1457	1-127-804-91	CERAMIC CHIP 100PF 1% 50V		R1475	1-216-841-11	METAL CHIP 47K 5% 1/10W	
C1458	1-162-966-11	CERAMIC CHIP 0.0022uF 10% 50V		R1476	1-216-809-11	METAL CHIP 100 5% 1/10W	
C1459	1-124-261-00	ELECT 10uF 20% 50V		R1477	1-216-809-11	METAL CHIP 100 5% 1/10W	
C1460	1-127-804-91	CERAMIC CHIP 100PF 1% 50V		R1478	1-216-809-11	METAL CHIP 100 5% 1/10W	
C1461	1-127-804-91	CERAMIC CHIP 100PF 1% 50V		R1479	1-216-809-11	METAL CHIP 100 5% 1/10W	
C1462	1-127-804-91	CERAMIC CHIP 100PF 1% 50V		*****			
C1463	1-126-967-11	ELECT 47uF 20% 50V				HEADPHONE BOARD	
C1464	1-100-597-91	CERAMIC CHIP 0.1uF 10% 25V				*****	
C1465	1-164-388-91	CERAMIC CHIP 270PF 5% 50V				< CAPACITOR >	
C1466	1-164-388-91	CERAMIC CHIP 270PF 5% 50V		C451	1-115-416-11	CERAMIC CHIP 0.001uF 5% 25V	
C1467	1-164-388-91	CERAMIC CHIP 270PF 5% 50V		C452	1-115-416-11	CERAMIC CHIP 0.001uF 5% 25V	
C1468	1-164-388-91	CERAMIC CHIP 270PF 5% 50V		C453	1-164-156-11	CERAMIC CHIP 0.1uF 25V	
C1469	1-164-388-91	CERAMIC CHIP 270PF 5% 50V				< GROUND TERMINAL >	
C1470	1-107-911-11	ELECT 220uF 20% 50V		ET451	1-537-771-21	TERMINAL BOARD, GROUND	
C1471	1-107-911-11	ELECT 220uF 20% 50V				< JACK >	
		< CONNECTOR >		J451	1-770-226-11	JACK (LARGE TYPE) (♂)	
CN1453	1-784-735-11	CONNECTOR, FFC 13P					

HEADPHONE

L-SHAPE ILLUMINATION-A

L-SHAPE ILLUMINATION-B

LEFT ENTER

LEFT PANEL

MAIN

Ref. No.	Part No.	Description	Remark	Ref. No.	Part No.	Description	Remark
		< RESISTOR >					
R451	1-216-864-11	SHORT CHIP 0		D1310	6-502-412-01	LED SDPG31H3C0100 (SEAMLESS SHUFFLE PLAY (USB 1))	
R452	1-216-864-11	SHORT CHIP 0		D1311	6-502-401-11	LED 1L434FA22E0TDT01 (SEAMLESS ON/OFF (USB 1))	
*****				D1312	6-502-803-01	LED SELG6E14CTP5 (DJ MODE)	
L-SHAPE ILLUMINATION-A BOARD				D1313	6-500-335-01	DIODE MC2838-T112-1	
*****				D1314	6-502-412-01	LED SDPG31H3C0100 (SEAMLESS SHUFFLE PLAY (USB 1))	
		< DIODE >		D1315	6-502-401-11	LED 1L434FA22E0TDT01 (SEAMLESS ON/OFF (USB 1))	
D1480	6-502-876-01	LED 1L0593A2B12CAT05 (SHAPE ILLUMINATION (LEFT))		D1316	6-500-335-01	DIODE MC2838-T112-1	
		< RESISTOR >		< RESISTOR >			
R1479	1-216-818-11	METAL CHIP 560 5% 1/10W		R1301	1-216-816-11	METAL CHIP 390 5% 1/10W	
R1480	1-216-818-11	METAL CHIP 560 5% 1/10W		R1308	1-216-817-11	METAL CHIP 470 5% 1/10W	
R1481	1-216-816-11	METAL CHIP 390 5% 1/10W		R1309	1-216-835-11	METAL CHIP 15K 5% 1/10W	
R1482	1-216-816-11	METAL CHIP 390 5% 1/10W		R1310	1-216-837-11	METAL CHIP 22K 5% 1/10W	
*****				R1311	1-216-821-11	METAL CHIP 1K 5% 1/10W	
L-SHAPE ILLUMINATION-B BOARD				R1313	1-216-839-11	METAL CHIP 33K 5% 1/10W	
*****				R1314	1-216-818-11	METAL CHIP 560 5% 1/10W	
		< DIODE >		R1315	1-216-816-11	METAL CHIP 390 5% 1/10W	
D1493	6-502-876-01	LED 1L0593A2B12CAT05 (SHAPE ILLUMINATION (RIGHT))		R1316	1-216-818-11	METAL CHIP 560 5% 1/10W	
		< RESISTOR >		R1317	1-216-816-11	METAL CHIP 390 5% 1/10W	
R1493	1-216-816-11	METAL CHIP 390 5% 1/10W		R1320	1-216-816-11	METAL CHIP 390 5% 1/10W	
R1494	1-216-816-11	METAL CHIP 390 5% 1/10W		R1321	1-216-816-11	METAL CHIP 390 5% 1/10W	
R1495	1-216-818-11	METAL CHIP 560 5% 1/10W		R1322	1-216-816-11	METAL CHIP 390 5% 1/10W	
R1496	1-216-818-11	METAL CHIP 560 5% 1/10W		R1323	1-216-818-11	METAL CHIP 560 5% 1/10W	
*****				R1324	1-216-818-11	METAL CHIP 560 5% 1/10W	
LEFT ENTER BOARD				R1325	1-216-816-11	METAL CHIP 390 5% 1/10W	
*****				R1326	1-216-816-11	METAL CHIP 390 5% 1/10W	
		< CONNECTOR >		< SWITCH >			
CN1437	1-564-721-11	PIN, CONNECTOR (SMALL TYPE) 5P		S1301	1-478-218-11	ENCODER, ROTARY (HIGH)	
		< DIODE >		S1302	1-478-218-11	ENCODER, ROTARY (MID)	
D1436	6-502-401-11	LED 1L434FA22E0TDT01 (ENTER (CHANNEL A))		S1303	1-478-218-11	ENCODER, ROTARY (LOW)	
		< RESISTOR >		S1304	1-771-410-21	SWITCH, TACTILE (I/⏏)	
R1436	1-216-835-11	METAL CHIP 15K 5% 1/10W		S1305	1-771-410-21	SWITCH, TACTILE (SEAMLESS ON/OFF (USB 1))	
R1437	1-216-818-11	METAL CHIP 560 5% 1/10W		S1306	1-771-410-21	SWITCH, TACTILE (DJ MODE)	
R1439	1-216-818-11	METAL CHIP 560 5% 1/10W		S1307	1-771-410-21	SWITCH, TACTILE (SEAMLESS SHUFFLE PLAY (USB 1))	
		< SWITCH >		*****			
S1436	1-771-410-21	SWITCH, TACTILE (ENTER (CHANNEL A))		A-1707-066-A	MAIN BOARD, COMPLETE (E2)		
*****				A-1707-067-A	MAIN BOARD, COMPLETE (E51)		
LEFT PANEL BOARD				A-1707-069-A	MAIN BOARD, COMPLETE (MX)		
*****				A-1707-071-A	MAIN BOARD, COMPLETE (E3)		
		< CONNECTOR >		7-685-646-79	SCREW +BVTP 3X8 TYPE2 IT-3		
CN1304	1-784-739-11	CONNECTOR, FFC 17P		< CAPACITOR >			
CN1307	1-564-718-11	PIN, CONNECTOR (SMALL TYPE) 2P		C101	1-104-665-11	ELECT 100uF 20% 25V	
		< DIODE >		C102	1-164-156-11	CERAMIC CHIP 0.1uF 25V	
D1305	6-501-691-01	LED 1L434FV22D0TDF01 (I/⏏)		C103	1-126-964-11	ELECT 10uF 20% 50V	
D1309	6-502-803-01	LED SELG6E14CTP5 (DJ MODE)		C104	1-126-964-11	ELECT 10uF 20% 50V	
		< RESISTOR >		C105	1-126-964-11	ELECT 10uF 20% 50V	
		< DIODE >		C106	1-126-964-11	ELECT 10uF 20% 50V	
		< RESISTOR >		C107	1-126-964-11	ELECT 10uF 20% 50V	
		< DIODE >		C108	1-126-964-11	ELECT 10uF 20% 50V	
		< RESISTOR >		C109	1-164-360-11	CERAMIC CHIP 0.1uF 16V	
		< DIODE >		C110	1-104-662-91	ELECT 22uF 20% 25V	
		< RESISTOR >		C111	1-104-662-91	ELECT 22uF 20% 25V	

MAIN

Ref. No.	Part No.	Description			Remark	Ref. No.	Part No.	Description			Remark
C112	1-126-960-11	ELECT	1uF	20%	50V	C177	1-162-962-11	CERAMIC CHIP	470PF	10%	50V
C113	1-126-933-11	ELECT	100uF	20%	16V	C178	1-126-925-91	ELECT	470uF	20%	10V
C114	1-126-960-11	ELECT	1uF	20%	50V	C179	1-162-968-11	CERAMIC CHIP	0.0047uF	10%	50V
C115	1-162-974-11	CERAMIC CHIP	0.01uF		50V	C180	1-125-837-91	CERAMIC CHIP	1uF	10%	6.3V
C116	1-126-947-11	ELECT	47uF	20%	35V	C181	1-162-968-11	CERAMIC CHIP	0.0047uF	10%	50V
C117	1-126-963-11	ELECT	4.7uF	20%	50V	C182	1-125-837-91	CERAMIC CHIP	1uF	10%	6.3V
C119	1-126-924-11	ELECT	330uF	20%	10V	C183	1-164-227-11	CERAMIC CHIP	0.022uF	10%	25V
C120	1-126-964-11	ELECT	10uF	20%	50V	C184	1-125-837-91	CERAMIC CHIP	1uF	10%	6.3V
C121	1-162-974-11	CERAMIC CHIP	0.01uF		50V	C185	1-164-227-11	CERAMIC CHIP	0.022uF	10%	25V
C122	1-136-497-81	FILM	0.1uF	5%	50V	C186	1-125-837-91	CERAMIC CHIP	1uF	10%	6.3V
C123	1-126-960-11	ELECT	1uF	20%	50V	C187	1-165-176-11	CERAMIC CHIP	0.047uF	10%	16V
C124	1-126-960-11	ELECT	1uF	20%	50V	C188	1-125-837-91	CERAMIC CHIP	1uF	10%	6.3V
C125	1-136-497-81	FILM	0.1uF	5%	50V	C189	1-165-176-11	CERAMIC CHIP	0.047uF	10%	16V
C126	1-126-960-11	ELECT	1uF	20%	50V	C190	1-126-964-11	ELECT	10uF	20%	50V
C127	1-126-960-11	ELECT	1uF	20%	50V	C191	1-164-360-11	CERAMIC CHIP	0.1uF		16V
C128	1-126-933-11	ELECT	100uF	20%	16V	C192	1-164-360-11	CERAMIC CHIP	0.1uF		16V
C129	1-107-826-11	CERAMIC CHIP	0.1uF	10%	16V	C193	1-107-826-11	CERAMIC CHIP	0.1uF	10%	16V
C130	1-136-159-00	FILM	0.033uF	5%	50V	C194	1-164-156-11	CERAMIC CHIP	0.1uF		25V
C131	1-126-947-11	ELECT	47uF	20%	35V	C195	1-107-826-11	CERAMIC CHIP	0.1uF	10%	16V
C132	1-126-964-11	ELECT	10uF	20%	50V	C196	1-107-826-11	CERAMIC CHIP	0.1uF	10%	16V
C133	1-126-960-11	ELECT	1uF	20%	50V	C197	1-164-360-11	CERAMIC CHIP	0.1uF		16V
C134	1-126-960-11	ELECT	1uF	20%	50V	C198	1-100-597-91	CERAMIC CHIP	0.1uF	10%	25V
C135	1-136-159-00	FILM	0.033uF	5%	50V	C201	1-126-960-11	ELECT	1uF	20%	50V
C138	1-126-963-11	ELECT	4.7uF	20%	50V	C202	1-164-360-11	CERAMIC CHIP	0.1uF		16V
C140	1-126-964-11	ELECT	10uF	20%	50V	C203	1-126-964-11	ELECT	10uF	20%	50V
C141	1-162-974-11	CERAMIC CHIP	0.01uF		50V	C204	1-107-826-11	CERAMIC CHIP	0.1uF	10%	16V
C142	1-126-964-11	ELECT	10uF	20%	50V	C206	1-165-730-11	ELECT	680uF	20%	16V
C143	1-126-964-11	ELECT	10uF	20%	50V	C207	1-164-360-11	CERAMIC CHIP	0.1uF		16V
C144	1-126-933-11	ELECT	100uF	20%	16V	C208	1-162-964-11	CERAMIC CHIP	0.001uF	10%	50V
C145	1-126-964-11	ELECT	10uF	20%	50V	C210	1-126-943-11	ELECT	2200uF	20%	25V
C146	1-126-964-11	ELECT	10uF	20%	50V	C211	1-104-658-91	ELECT	100uF	20%	10V
C147	1-162-927-11	CERAMIC CHIP	100PF	5%	50V	C212	1-126-961-11	ELECT	2.2uF	20%	50V
C148	1-126-961-11	ELECT	2.2uF	20%	50V	C214	1-128-548-11	ELECT	4700uF	20%	25V
C149	1-126-964-11	ELECT	10uF	20%	50V	C215	1-100-597-91	CERAMIC CHIP	0.1uF	10%	25V
C150	1-162-927-11	CERAMIC CHIP	100PF	5%	50V	C216	1-126-961-11	ELECT	2.2uF	20%	50V
C151	1-126-964-11	ELECT	10uF	20%	50V	C217	1-136-497-81	FILM	0.1uF	5%	50V
C152	1-126-964-11	ELECT	10uF	20%	50V	C218	1-100-597-91	CERAMIC CHIP	0.1uF	10%	25V
C153	1-126-964-11	ELECT	10uF	20%	50V	C219	1-126-961-11	ELECT	2.2uF	20%	50V
C154	1-126-964-11	ELECT	10uF	20%	50V	C220	1-126-961-11	ELECT	2.2uF	20%	50V
C155	1-162-927-11	CERAMIC CHIP	100PF	5%	50V	C221	1-136-497-81	FILM	0.1uF	5%	50V
C156	1-162-927-11	CERAMIC CHIP	100PF	5%	50V	C222	1-107-826-11	CERAMIC CHIP	0.1uF	10%	16V
C157	1-164-230-11	CERAMIC CHIP	220PF	5%	50V	C223	1-162-919-11	CERAMIC CHIP	22PF	5%	50V
C158	1-136-497-81	FILM	0.1uF	5%	50V	C224	1-126-916-11	ELECT	1000uF	20%	6.3V
C159	1-136-497-81	FILM	0.1uF	5%	50V	C225	1-107-826-11	CERAMIC CHIP	0.1uF	10%	16V
C160	1-136-159-00	FILM	0.033uF	5%	50V	C226	1-162-918-11	CERAMIC CHIP	18PF	5%	50V
C161	1-136-159-00	FILM	0.033uF	5%	50V	C227	1-164-156-11	CERAMIC CHIP	0.1uF		25V
C162	1-100-566-91	CERAMIC CHIP	0.1uF	10%	25V	C228	1-127-804-91	CERAMIC CHIP	100PF	1%	50V
C163	1-100-566-91	CERAMIC CHIP	0.1uF	10%	25V	C229	1-127-715-11	CERAMIC CHIP	0.22uF	10%	16V
C164	1-126-923-91	ELECT	220uF	20%	10V	C230	1-164-360-11	CERAMIC CHIP	0.1uF		16V
C165	1-162-974-11	CERAMIC CHIP	0.01uF		50V	C231	1-164-156-11	CERAMIC CHIP	0.1uF		25V
C166	1-126-964-11	ELECT	10uF	20%	50V	C232	1-126-947-11	ELECT	47uF	20%	35V
C167	1-126-933-11	ELECT	100uF	20%	16V	C233	1-126-960-11	ELECT	1uF	20%	50V
C168	1-126-964-11	ELECT	10uF	20%	50V	C234	1-164-156-11	CERAMIC CHIP	0.1uF		25V
C169	1-126-934-11	ELECT	220uF	20%	16V	C236	1-107-826-11	CERAMIC CHIP	0.1uF	10%	16V
C171	1-126-963-11	ELECT	4.7uF	20%	50V	C237	1-162-964-11	CERAMIC CHIP	0.001uF	10%	50V
C172	1-126-963-11	ELECT	4.7uF	20%	50V	C238	1-126-933-11	ELECT	100uF	20%	16V
C173	1-125-837-91	CERAMIC CHIP	1uF	10%	6.3V	C239	1-162-927-11	CERAMIC CHIP	100PF	5%	50V
C174	1-162-962-11	CERAMIC CHIP	470PF	10%	50V	C240	1-126-963-11	ELECT	4.7uF	20%	50V
C175	1-125-837-91	CERAMIC CHIP	1uF	10%	6.3V	C241	1-126-963-11	ELECT	4.7uF	20%	50V
C176	1-126-767-11	ELECT	1000uF	20%	16V	C243	1-104-658-91	ELECT	100uF	20%	10V

Ref. No.	Part No.	Description	Remark	Ref. No.	Part No.	Description	Remark
C244	1-126-933-11	ELECT	100uF 20% 16V	D115	6-500-334-01	DIODE MC2836-T112-1	
C247	1-126-935-11	ELECT	470uF 20% 16V	D116	6-502-777-01	DIODE RM4ZLF-T1	
C248	1-126-960-11	ELECT	1uF 20% 50V	D117	8-719-079-47	DIODE RK36LF-A4	
C249	1-104-662-91	ELECT	22uF 20% 25V	D118	6-501-817-01	DIODE MA2J1110GLS0	
C252	1-104-658-91	ELECT	100uF 20% 10V	D119	6-501-817-01	DIODE MA2J1110GLS0	
C253	1-162-927-11	CERAMIC CHIP	100PF 5% 50V	D120	6-500-848-01	DIODE MC2840-T112-1	
C254	1-107-826-11	CERAMIC CHIP	0.1uF 10% 16V	D121	6-501-817-01	DIODE MA2J1110GLS0	
C255	1-107-826-11	CERAMIC CHIP	0.1uF 10% 16V	D122	8-719-500-60	DIODE D5SBA20	
C256	1-127-715-11	CERAMIC CHIP	0.22uF 10% 16V	D123	6-500-848-01	DIODE MC2840-T112-1	
C257	1-136-497-81	FILM	0.1uF 5% 50V	D124	6-500-848-01	DIODE MC2840-T112-1	
C258	1-136-497-81	FILM	0.1uF 5% 50V	D125	6-500-334-01	DIODE MC2836-T112-1	
C259	1-136-497-81	FILM	0.1uF 5% 50V	D126	6-501-817-01	DIODE MA2J1110GLS0	
C260	1-136-497-81	FILM	0.1uF 5% 50V	D127	6-501-817-01	DIODE MA2J1110GLS0	
C261	1-126-961-11	ELECT	2.2uF 20% 50V	D128	6-500-522-21	DIODE 10EDB40-TB3	
C272	1-162-970-11	CERAMIC CHIP	0.01uF 10% 25V	D129	6-501-744-01	DIODE MAZ8068GHLS0	
C273	1-162-970-11	CERAMIC CHIP	0.01uF 10% 25V	D130	6-501-773-01	DIODE MAZ8140GMLS0	
C601	1-126-961-11	ELECT	2.2uF 20% 50V	D131	6-500-334-01	DIODE MC2836-T112-1	
C602	1-126-961-11	ELECT	2.2uF 20% 50V	D132	6-500-848-01	DIODE MC2840-T112-1	
C604	1-126-947-11	ELECT	47uF 20% 35V	D133	6-501-817-01	DIODE MA2J1110GLS0	
C605	1-162-919-11	CERAMIC CHIP	22PF 5% 50V	D136	6-501-817-01	DIODE MA2J1110GLS0	
C606	1-162-919-11	CERAMIC CHIP	22PF 5% 50V			< GROUND TERMINAL >	
C608	1-126-947-11	ELECT	47uF 20% 35V	ET101	1-537-771-21	TERMINAL BOARD, GROUND	
C609	1-162-919-11	CERAMIC CHIP	22PF 5% 50V	ET102	1-537-771-21	TERMINAL BOARD, GROUND	
C610	1-162-919-11	CERAMIC CHIP	22PF 5% 50V			< IC >	
C611	1-107-826-11	CERAMIC CHIP	0.1uF 10% 16V	IC101	8-759-278-58	IC NJM4558V-TE2	
C612	1-126-964-11	ELECT	10uF 20% 50V	IC102	6-712-209-01	IC TDA744813TR	
C613	1-107-826-11	CERAMIC CHIP	0.1uF 10% 16V	IC103	6-702-945-01	IC NJM14558V-TE2	
C614	1-126-925-91	ELECT	470uF 20% 10V	IC104	6-702-945-01	IC NJM14558V-TE2	
C615	1-104-658-91	ELECT	100uF 20% 10V	IC105	6-705-678-01	IC NJM2760V-TE2	
C616	1-126-935-11	ELECT	470uF 20% 16V	IC106	8-759-549-00	IC SN74LV123APWR	
C617	1-126-925-91	ELECT	470uF 20% 10V	IC107	6-713-500-01	IC BR24S16F-WE2	
		< CONNECTOR >		IC108	6-808-290-01	IC ML2252-259GAZ03A	
CN101	1-779-299-11	CONNECTOR, FFC (LIF(NON-ZIF)) 31P		IC109	6-712-052-01	IC SI-8001FFE	
CN103	1-784-925-11	PIN, CONNECTOR 10P		IC110	6-712-723-01	IC PST8429NR	
CN104	1-784-770-11	CONNECTOR, FFC 9P		IC111	(Not supplied)	IC R5F3640MDFAR	
CN105	1-779-289-11	CONNECTOR, FFC (LIF(NON-ZIF)) 21P		IC112	6-712-179-01	IC NJM2370R04(TE1)	
CN106	1-779-287-11	CONNECTOR, FFC (LIF(NON-ZIF)) 19P		IC113	6-701-761-01	IC uPC3533AHF	
CN107	1-779-799-11	PIN, CONNECTOR 9P		IC601	8-759-711-85	IC NJM4580E-D	
CN109	1-784-774-11	CONNECTOR, FFC 13P				< JUMPER RESISTOR >	
CN111	1-691-773-11	PLUG (MICRO CONNECTOR) 11P		JR101	1-216-864-11	SHORT CHIP 0	
CN113	1-779-277-11	CONNECTOR, FFC (LIF(NON-ZIF)) 9P		JR102	1-216-864-11	SHORT CHIP 0	
CN114	1-784-921-11	PIN, CONNECTOR 4P		JR103	1-216-864-11	SHORT CHIP 0	
CN115	1-784-925-11	PIN, CONNECTOR 10P		JR104	1-216-864-11	SHORT CHIP 0	
CN118	1-784-792-11	CONNECTOR, FFC 31P		JR105	1-216-864-11	SHORT CHIP 0	
CN120	1-784-922-21	PIN, CONNECTOR 5P		JR106	1-216-864-11	SHORT CHIP 0	
		< DIODE >		JR107	1-216-864-11	SHORT CHIP 0	
D102	6-501-744-01	DIODE MAZ8068GHLS0		JR108	1-216-864-11	SHORT CHIP 0	
D103	6-501-773-01	DIODE MAZ8140GMLS0		JR109	1-216-864-11	SHORT CHIP 0	
D105	6-500-522-21	DIODE 10EDB40-TB3		JR110	1-216-864-11	SHORT CHIP 0	
D106	6-500-522-21	DIODE 10EDB40-TB3		JR111	1-216-864-11	SHORT CHIP 0	
D107	6-500-522-21	DIODE 10EDB40-TB3		JR112	1-216-864-11	SHORT CHIP 0	
D108	6-501-817-01	DIODE MA2J1110GLS0		JR113	1-216-864-11	SHORT CHIP 0	
D109	6-501-817-01	DIODE MA2J1110GLS0		JR114	1-216-864-11	SHORT CHIP 0	
D110	6-501-817-01	DIODE MA2J1110GLS0		JR115	1-216-864-11	SHORT CHIP 0	
D111	6-500-335-01	DIODE MC2838-T112-1		JR116	1-216-295-91	SHORT CHIP 0	
D112	6-500-335-01	DIODE MC2838-T112-1					
D113	6-501-727-01	DIODE MAZ8047GHLS0					
D114	6-500-334-01	DIODE MC2836-T112-1					

MAIN

Ref. No.	Part No.	Description	Remark	Ref. No.	Part No.	Description	Remark
		< COIL >				< RESISTOR >	
L101	1-400-424-21	COIL, CHOKE 47uH		R101	1-216-809-11	METAL CHIP 100 5%	1/10W
		< TRANSISTOR >		R102	1-216-809-11	METAL CHIP 100 5%	1/10W
Q101	8-729-620-07	TRANSISTOR 2SC3052EF-T1-LEF		R103	1-216-809-11	METAL CHIP 100 5%	1/10W
Q102	8-729-620-07	TRANSISTOR 2SC3052EF-T1-LEF		R104	1-216-809-11	METAL CHIP 100 5%	1/10W
Q103	8-729-620-07	TRANSISTOR 2SC3052EF-T1-LEF		R105	1-216-829-11	METAL CHIP 4.7K 5%	1/10W (EXCEPT E2)
Q104	8-729-620-07	TRANSISTOR 2SC3052EF-T1-LEF		R105	1-216-834-11	METAL CHIP 12K 5%	1/10W (E2)
Q105	8-729-620-07	TRANSISTOR 2SC3052EF-T1-LEF		R107	1-216-864-11	SHORT CHIP 0	
Q106	8-729-620-07	TRANSISTOR 2SC3052EF-T1-LEF		R108	1-216-829-11	METAL CHIP 4.7K 5%	1/10W (EXCEPT E2)
Q107	8-729-620-07	TRANSISTOR 2SC3052EF-T1-LEF		R108	1-216-834-11	METAL CHIP 12K 5%	1/10W (E2)
Q108	6-551-714-01	FET INK0001AC1-T112A-1		R111	1-216-801-11	METAL CHIP 22 5%	1/10W
Q109	8-729-036-86	TRANSISTOR KTC3203Y-AT		R113	1-216-801-11	METAL CHIP 22 5%	1/10W
Q110	6-551-714-01	FET INK0001AC1-T112A-1		R114	1-216-797-11	METAL CHIP 10 5%	1/10W
Q111	8-729-620-07	TRANSISTOR 2SC3052EF-T1-LEF		R115	1-216-837-11	METAL CHIP 22K 5%	1/10W
Q112	8-729-620-07	TRANSISTOR 2SC3052EF-T1-LEF		R116	1-216-849-11	METAL CHIP 220K 5%	1/10W
Q113	8-729-620-07	TRANSISTOR 2SC3052EF-T1-LEF		R117	1-216-849-11	METAL CHIP 220K 5%	1/10W
Q114	8-729-620-07	TRANSISTOR 2SC3052EF-T1-LEF		R118	1-216-841-11	METAL CHIP 47K 5%	1/10W
Q115	8-729-620-07	TRANSISTOR 2SC3052EF-T1-LEF		R119	1-216-797-11	METAL CHIP 10 5%	1/10W
Q116	8-729-620-07	TRANSISTOR 2SC3052EF-T1-LEF		R120	1-216-841-11	METAL CHIP 47K 5%	1/10W
Q117	8-729-037-13	TRANSISTOR KTA1271Y		R121	1-216-849-11	METAL CHIP 220K 5%	1/10W
Q118	8-729-620-07	TRANSISTOR 2SC3052EF-T1-LEF		R122	1-216-837-11	METAL CHIP 22K 5%	1/10W
Q119	8-729-620-07	TRANSISTOR 2SC3052EF-T1-LEF		△ R123	1-243-688-21	METAL OXIDE 120 5%	1W F
Q120	8-729-620-07	TRANSISTOR 2SC3052EF-T1-LEF		R124	1-216-809-11	METAL CHIP 100 5%	1/10W
Q121	8-729-620-07	TRANSISTOR 2SC3052EF-T1-LEF		R125	1-216-833-11	METAL CHIP 10K 5%	1/10W
Q122	8-729-620-07	TRANSISTOR 2SC3052EF-T1-LEF		R126	1-216-825-11	METAL CHIP 2.2K 5%	1/10W
Q123	6-551-714-01	FET INK0001AC1-T112A-1		R127	1-216-825-11	METAL CHIP 2.2K 5%	1/10W
Q124	6-551-714-01	FET INK0001AC1-T112A-1		R128	1-216-850-11	METAL CHIP 270K 5%	1/10W
Q126	8-729-620-07	TRANSISTOR 2SC3052EF-T1-LEF		R129	1-216-833-11	METAL CHIP 10K 5%	1/10W
Q127	8-729-620-07	TRANSISTOR 2SC3052EF-T1-LEF		R130	1-216-849-11	METAL CHIP 220K 5%	1/10W
Q128	8-729-027-23	TRANSISTOR DTA114EKA-T146		R131	1-216-850-11	METAL CHIP 270K 5%	1/10W
Q129	8-729-027-43	TRANSISTOR DTC114EKA-T146		R132	1-216-849-11	METAL CHIP 220K 5%	1/10W
Q130	8-729-620-07	TRANSISTOR 2SC3052EF-T1-LEF		R133	1-216-833-11	METAL CHIP 10K 5%	1/10W
Q131	8-729-620-07	TRANSISTOR 2SC3052EF-T1-LEF		R134	1-216-833-11	METAL CHIP 10K 5%	1/10W
Q132	8-729-620-07	TRANSISTOR 2SC3052EF-T1-LEF		R135	8-719-058-24	DIODE RB501V-40TE-17	
Q133	8-729-620-07	TRANSISTOR 2SC3052EF-T1-LEF		R136	1-216-832-11	METAL CHIP 8.2K 5%	1/10W
Q134	8-729-620-07	TRANSISTOR 2SC3052EF-T1-LEF		R137	1-216-847-11	METAL CHIP 150K 5%	1/10W
Q135	8-729-038-28	TRANSISTOR RT1N441C-TP-1		R138	1-216-832-11	METAL CHIP 8.2K 5%	1/10W
Q136	8-729-620-07	TRANSISTOR 2SC3052EF-T1-LEF		R139	1-216-849-11	METAL CHIP 220K 5%	1/10W
Q137	8-729-620-07	TRANSISTOR 2SC3052EF-T1-LEF		R140	1-216-847-11	METAL CHIP 150K 5%	1/10W
Q138	8-729-037-13	TRANSISTOR KTA1271Y		R141	1-216-833-11	METAL CHIP 10K 5%	1/10W
Q139	8-729-037-13	TRANSISTOR KTA1271Y		R142	1-216-833-11	METAL CHIP 10K 5%	1/10W
Q140	8-729-620-07	TRANSISTOR 2SC3052EF-T1-LEF		R143	1-216-801-11	METAL CHIP 22 5%	1/10W
Q141	8-729-620-07	TRANSISTOR 2SC3052EF-T1-LEF		R144	1-216-809-11	METAL CHIP 100 5%	1/10W
Q142	6-551-681-01	TRANSISTOR RT1P431C-TP-1		R146	1-216-841-11	METAL CHIP 47K 5%	1/10W
Q143	8-729-620-07	TRANSISTOR 2SC3052EF-T1-LEF		R147	1-216-833-11	METAL CHIP 10K 5%	1/10W
Q144	8-729-036-86	TRANSISTOR KTC3203Y-AT		R148	1-216-833-11	METAL CHIP 10K 5%	1/10W
Q146	6-551-696-01	TRANSISTOR ISA1235AC1TP-1EF		R149	1-216-825-11	METAL CHIP 2.2K 5%	1/10W
Q147	8-729-620-07	TRANSISTOR 2SC3052EF-T1-LEF		R150	1-216-295-91	SHORT CHIP 0	
Q148	6-551-714-01	FET INK0001AC1-T112A-1		R151	1-216-295-91	SHORT CHIP 0	
Q149	6-551-714-01	FET INK0001AC1-T112A-1		R153	1-216-809-11	METAL CHIP 100 5%	1/10W
Q150	6-551-714-01	FET INK0001AC1-T112A-1		R154	1-216-809-11	METAL CHIP 100 5%	1/10W
Q151	6-551-714-01	FET INK0001AC1-T112A-1		R155	1-216-825-11	METAL CHIP 2.2K 5%	1/10W
Q152	8-729-027-23	TRANSISTOR DTA114EKA-T146		R156	1-216-825-11	METAL CHIP 2.2K 5%	1/10W
Q153	8-729-023-22	TRANSISTOR 2SD2114K		R157	1-216-841-11	METAL CHIP 47K 5%	1/10W
Q154	8-729-023-22	TRANSISTOR 2SD2114K		R159	1-216-864-11	SHORT CHIP 0	
Q601	8-729-056-46	TRANSISTOR 2SC5053T100Q		R160	1-216-841-11	METAL CHIP 47K 5%	1/10W

Ref. No.	Part No.	Description			Remark	Ref. No.	Part No.	Description			Remark	
R161	1-216-841-11	METAL CHIP	47K	5%	1/10W	R226	1-216-801-11	METAL CHIP	22	5%	1/10W	
R162	1-216-841-11	METAL CHIP	47K	5%	1/10W	R227	1-216-801-11	METAL CHIP	22	5%	1/10W	
△ R163	1-215-857-11	METAL OXIDE	10	5%	1W	F	R228	1-216-837-11	METAL CHIP	22K	5%	1/10W
R165	1-216-857-11	METAL CHIP	1M	5%	1/10W	R229	1-216-833-11	METAL CHIP	10K	5%	1/10W	
R166	1-216-843-11	METAL CHIP	68K	5%	1/10W	R230	1-216-841-11	METAL CHIP	47K	5%	1/10W	
R167	1-216-825-11	METAL CHIP	2.2K	5%	1/10W	R231	1-216-837-11	METAL CHIP	22K	5%	1/10W	
R168	1-216-825-11	METAL CHIP	2.2K	5%	1/10W	R232	1-216-833-11	METAL CHIP	10K	5%	1/10W	
R169	1-216-829-11	METAL CHIP	4.7K	5%	1/10W	R233	1-216-845-11	METAL CHIP	100K	5%	1/10W	
R170	1-216-864-11	SHORT CHIP	0			R234	1-216-821-11	METAL CHIP	1K	5%	1/10W	
R171	1-216-801-11	METAL CHIP	22	5%	1/10W	R235	1-216-841-11	METAL CHIP	47K	5%	1/10W	
R172	1-216-864-11	SHORT CHIP	0			R236	1-216-829-11	METAL CHIP	4.7K	5%	1/10W	
R173	1-216-833-11	METAL CHIP	10K	5%	1/10W	R237	1-216-809-11	METAL CHIP	100	5%	1/10W	
R174	1-216-864-11	SHORT CHIP	0			R238	1-216-841-11	METAL CHIP	47K	5%	1/10W	
R175	1-216-833-11	METAL CHIP	10K	5%	1/10W	R239	1-216-833-11	METAL CHIP	10K	5%	1/10W	
R176	1-216-864-11	SHORT CHIP	0			R240	1-216-821-11	METAL CHIP	1K	5%	1/10W	
R177	1-216-864-11	SHORT CHIP	0			R241	1-216-833-11	METAL CHIP	10K	5%	1/10W	
R178	1-216-857-11	METAL CHIP	1M	5%	1/10W	R242	1-216-837-11	METAL CHIP	22K	5%	1/10W	
R179	1-216-841-11	METAL CHIP	47K	5%	1/10W	R243	1-216-833-11	METAL CHIP	10K	5%	1/10W	
R180	1-216-864-11	SHORT CHIP	0			R244	1-216-833-11	METAL CHIP	10K	5%	1/10W	
R181	1-216-841-11	METAL CHIP	47K	5%	1/10W	R245	1-216-825-11	METAL CHIP	2.2K	5%	1/10W	
R182	1-216-821-11	METAL CHIP	1K	5%	1/10W	R246	1-216-825-11	METAL CHIP	2.2K	5%	1/10W	
R183	1-216-864-11	SHORT CHIP	0			R247	1-216-809-11	METAL CHIP	100	5%	1/10W	
R184	1-216-864-11	SHORT CHIP	0			R248	1-216-845-11	METAL CHIP	100K	5%	1/10W	
R185	1-216-833-11	METAL CHIP	10K	5%	1/10W	R249	1-216-833-11	METAL CHIP	10K	5%	1/10W	
R186	1-216-850-11	METAL CHIP	270K	5%	1/10W	R250	1-216-809-11	METAL CHIP	100	5%	1/10W	
R187	1-216-833-11	METAL CHIP	10K	5%	1/10W	R251	1-216-837-11	METAL CHIP	22K	5%	1/10W	
R188	1-216-829-11	METAL CHIP	4.7K	5%	1/10W	R252	1-216-809-11	METAL CHIP	100	5%	1/10W	
R189	1-216-850-11	METAL CHIP	270K	5%	1/10W	R253	1-216-809-11	METAL CHIP	100	5%	1/10W	
R190	1-216-829-11	METAL CHIP	4.7K	5%	1/10W	R254	1-216-809-11	METAL CHIP	100	5%	1/10W	
R191	1-216-864-11	SHORT CHIP	0			R256	1-216-809-11	METAL CHIP	100	5%	1/10W	
R192	1-216-832-11	METAL CHIP	8.2K	5%	1/10W	R258	1-216-809-11	METAL CHIP	100	5%	1/10W	
R193	1-216-847-11	METAL CHIP	150K	5%	1/10W	R259	1-216-809-11	METAL CHIP	100	5%	1/10W	
R194	1-216-832-11	METAL CHIP	8.2K	5%	1/10W	R260	1-216-809-11	METAL CHIP	100	5%	1/10W	
R195	1-216-847-11	METAL CHIP	150K	5%	1/10W	R261	1-216-809-11	METAL CHIP	100	5%	1/10W	
R196	1-216-845-11	METAL CHIP	100K	5%	1/10W	R262	1-216-801-11	METAL CHIP	22	5%	1/10W	
R197	1-216-833-11	METAL CHIP	10K	5%	1/10W	R263	1-216-801-11	METAL CHIP	22	5%	1/10W	
R199	1-216-833-11	METAL CHIP	10K	5%	1/10W	R264	1-216-809-11	METAL CHIP	100	5%	1/10W	
R200	1-216-825-11	METAL CHIP	2.2K	5%	1/10W	R265	1-216-809-11	METAL CHIP	100	5%	1/10W	
R201	1-216-825-11	METAL CHIP	2.2K	5%	1/10W	R266	1-216-864-11	SHORT CHIP	0			
R202	1-216-841-11	METAL CHIP	47K	5%	1/10W	R267	1-216-809-11	METAL CHIP	100	5%	1/10W	
R203	1-216-841-11	METAL CHIP	47K	5%	1/10W	R268	1-218-855-11	METAL CHIP	2.2K	0.5%	1/10W	
R206	1-216-809-11	METAL CHIP	100	5%	1/10W	R269	1-218-855-11	METAL CHIP	2.2K	0.5%	1/10W	
R207	1-216-809-11	METAL CHIP	100	5%	1/10W	R270	1-216-825-11	METAL CHIP	2.2K	5%	1/10W	
R208	1-216-809-11	METAL CHIP	100	5%	1/10W	R271	1-216-825-11	METAL CHIP	2.2K	5%	1/10W	
R209	1-216-825-11	METAL CHIP	2.2K	5%	1/10W	R272	1-216-845-11	METAL CHIP	100K	5%	1/10W	
R210	1-216-825-11	METAL CHIP	2.2K	5%	1/10W	R274	1-216-864-11	SHORT CHIP	0			
R211	1-216-809-11	METAL CHIP	100	5%	1/10W	R275	1-216-849-11	METAL CHIP	220K	5%	1/10W	
R212	1-216-841-11	METAL CHIP	47K	5%	1/10W	R276	1-216-809-11	METAL CHIP	100	5%	1/10W	
R213	1-216-843-11	METAL CHIP	68K	5%	1/10W	R277	1-218-835-11	METAL CHIP	330	0.5%	1/10W	
R214	1-216-853-11	METAL CHIP	470K	5%	1/10W	R278	1-218-839-11	METAL CHIP	470	0.5%	1/10W	
R215	1-216-829-11	METAL CHIP	4.7K	5%	1/10W	R279	1-216-837-11	METAL CHIP	22K	5%	1/10W	
R216	1-216-843-11	METAL CHIP	68K	5%	1/10W	R280	1-216-809-11	METAL CHIP	100	5%	1/10W	
R217	1-218-867-11	METAL CHIP	6.8K	0.5%	1/10W	R281	1-216-837-11	METAL CHIP	22K	5%	1/10W	
R218	1-216-830-11	METAL CHIP	5.6K	5%	1/10W	R282	1-216-809-11	METAL CHIP	100	5%	1/10W	
R220	1-216-833-11	METAL CHIP	10K	5%	1/10W	R283	1-216-809-11	METAL CHIP	100	5%	1/10W	
R221	1-216-837-11	METAL CHIP	22K	5%	1/10W	R285	1-216-809-11	METAL CHIP	100	5%	1/10W	
R222	1-216-833-11	METAL CHIP	10K	5%	1/10W	R286	1-216-809-11	METAL CHIP	100	5%	1/10W	
R223	1-216-801-11	METAL CHIP	22	5%	1/10W	R287	1-216-809-11	METAL CHIP	100	5%	1/10W	
R224	1-216-864-11	SHORT CHIP	0			R288	1-216-845-11	METAL CHIP	100K	5%	1/10W	
R225	1-216-833-11	METAL CHIP	10K	5%	1/10W	R289	1-216-809-11	METAL CHIP	100	5%	1/10W	

HCD-ZUX999

MAIN

Ref. No.	Part No.	Description	Quantity	Unit	Percentage	Remark	Ref. No.	Part No.	Description	Quantity	Unit	Percentage	Remark
R290	1-216-809-11	METAL CHIP	100		5%	1/10W	R351	1-216-809-11	METAL CHIP	100		5%	1/10W
R291	1-216-809-11	METAL CHIP	100		5%	1/10W	R352	1-216-809-11	METAL CHIP	100		5%	1/10W
R292	1-216-809-11	METAL CHIP	100		5%	1/10W	R353	1-216-809-11	METAL CHIP	100		5%	1/10W
R293	1-216-849-11	METAL CHIP	220K		5%	1/10W	R354	1-216-809-11	METAL CHIP	100		5%	1/10W
R294	1-216-841-11	METAL CHIP	47K		5%	1/10W	R355	1-216-809-11	METAL CHIP	100		5%	1/10W
R295	1-216-815-11	METAL CHIP	330		5%	1/10W	R356	1-216-833-11	METAL CHIP	10K		5%	1/10W
R296	1-216-809-11	METAL CHIP	100		5%	1/10W	R357	1-216-809-11	METAL CHIP	100		5%	1/10W
R297	1-216-815-11	METAL CHIP	330		5%	1/10W	R358	1-216-809-11	METAL CHIP	100		5%	1/10W
R298	1-216-809-11	METAL CHIP	100		5%	1/10W	R359	1-216-809-11	METAL CHIP	100		5%	1/10W
R299	1-216-809-11	METAL CHIP	100		5%	1/10W	R360	1-216-809-11	METAL CHIP	100		5%	1/10W
R300	1-216-797-11	METAL CHIP	10		5%	1/10W	R361	1-216-809-11	METAL CHIP	100		5%	1/10W
R301	1-216-809-11	METAL CHIP	100		5%	1/10W	R362	1-216-809-11	METAL CHIP	100		5%	1/10W
R302	1-216-815-11	METAL CHIP	330		5%	1/10W	R363	1-216-809-11	METAL CHIP	100		5%	1/10W
R303	1-216-809-11	METAL CHIP	100		5%	1/10W	R364	1-216-833-11	METAL CHIP	10K		5%	1/10W
R304	1-216-825-11	METAL CHIP	2.2K		5%	1/10W	R365	1-216-809-11	METAL CHIP	100		5%	1/10W
R305	1-216-809-11	METAL CHIP	100		5%	1/10W	R366	1-216-825-11	METAL CHIP	2.2K		5%	1/10W
R306	1-216-809-11	METAL CHIP	100		5%	1/10W	R367	1-216-809-11	METAL CHIP	100		5%	1/10W
R307	1-216-809-11	METAL CHIP	100		5%	1/10W	R369	1-216-839-11	METAL CHIP	33K		5%	1/10W
R308	1-216-809-11	METAL CHIP	100		5%	1/10W	R369	1-216-853-11	METAL CHIP	470K		5%	1/10W (E3)
R309	1-216-813-11	METAL CHIP	220		5%	1/10W	R370	1-216-849-11	METAL CHIP	220K		5%	1/10W (EXCEPT E3)
R310	1-216-841-11	METAL CHIP	47K		5%	1/10W	R371	1-216-847-11	METAL CHIP	150K		5%	1/10W
R311	1-216-809-11	METAL CHIP	100		5%	1/10W	R372	1-216-826-11	METAL CHIP	2.7K		5%	1/10W
R312	1-216-825-11	METAL CHIP	2.2K		5%	1/10W	R373	1-216-825-11	METAL CHIP	2.2K		5%	1/10W
R313	1-216-845-11	METAL CHIP	100K		5%	1/10W	R374	1-216-841-11	METAL CHIP	47K		5%	1/10W
R314	1-218-867-11	METAL CHIP	6.8K		0.5%	1/10W	R376	1-216-837-11	METAL CHIP	22K		5%	1/10W
R315	1-216-848-11	METAL CHIP	180K		5%	1/10W	R377	1-216-835-11	METAL CHIP	15K		5%	1/10W
R316	1-216-813-11	METAL CHIP	220		5%	1/10W	R378	1-216-835-11	METAL CHIP	15K		5%	1/10W
R317	1-216-809-11	METAL CHIP	100		5%	1/10W	R379	1-216-835-11	METAL CHIP	15K		5%	1/10W
R318	1-218-867-11	METAL CHIP	6.8K		0.5%	1/10W	R380	1-216-835-11	METAL CHIP	15K		5%	1/10W
R319	1-216-848-11	METAL CHIP	180K		5%	1/10W	R381	1-216-835-11	METAL CHIP	15K		5%	1/10W
R320	1-216-809-11	METAL CHIP	100		5%	1/10W	R382	1-216-849-11	METAL CHIP	220K		5%	1/10W
R321	1-216-849-11	METAL CHIP	220K		5%	1/10W	R383	1-216-843-11	METAL CHIP	68K		5%	1/10W (MX)
R322	1-216-809-11	METAL CHIP	100		5%	1/10W	R383	1-216-845-11	METAL CHIP	100K		5%	1/10W (E2,E51)
R323	1-216-833-11	METAL CHIP	10K		5%	1/10W	R383	1-216-853-11	METAL CHIP	470K		5%	1/10W (E3)
R324	1-216-826-11	METAL CHIP	2.7K		5%	1/10W	△ R384	1-215-860-11	METAL OXIDE	33		5%	1W F
R325	1-216-829-11	METAL CHIP	4.7K		5%	1/10W	R385	1-216-849-11	METAL CHIP	220K		5%	1/10W
R326	1-219-570-11	METAL CHIP	10M		5%	1/10W	R386	1-216-839-11	METAL CHIP	33K		5%	1/10W
R327	1-216-809-11	METAL CHIP	100		5%	1/10W	R387	1-216-837-11	METAL CHIP	22K		5%	1/10W
R328	1-216-833-11	METAL CHIP	10K		5%	1/10W	R388	1-216-825-11	METAL CHIP	2.2K		5%	1/10W
R329	1-216-813-11	METAL CHIP	220		5%	1/10W	R389	1-216-853-11	METAL CHIP	470K		5%	1/10W
R330	1-216-809-11	METAL CHIP	100		5%	1/10W	R392	1-216-837-11	METAL CHIP	22K		5%	1/10W
R331	1-216-847-11	METAL CHIP	150K		5%	1/10W	R393	1-216-796-11	METAL CHIP	8.2		5%	1/10W
R332	1-216-833-11	METAL CHIP	10K		5%	1/10W	R394	1-216-796-11	METAL CHIP	8.2		5%	1/10W
R333	1-216-833-11	METAL CHIP	10K		5%	1/10W	R397	1-216-857-11	METAL CHIP	1M		5%	1/10W
R334	1-216-809-11	METAL CHIP	100		5%	1/10W	R404	1-216-797-11	METAL CHIP	10		5%	1/10W
R335	1-216-849-11	METAL CHIP	220K		5%	1/10W	R410	1-216-813-11	METAL CHIP	220		5%	1/10W
R336	1-216-864-11	SHORT CHIP	0				R411	1-216-797-11	METAL CHIP	10		5%	1/10W
R337	1-216-809-11	METAL CHIP	100		5%	1/10W	R412	1-216-797-11	METAL CHIP	10		5%	1/10W
R338	1-216-809-11	METAL CHIP	100		5%	1/10W	R413	1-216-845-11	METAL CHIP	100K		5%	1/10W
R339	1-216-809-11	METAL CHIP	100		5%	1/10W	R414	1-216-845-11	METAL CHIP	100K		5%	1/10W
R340	1-216-809-11	METAL CHIP	100		5%	1/10W	R415	1-216-809-11	METAL CHIP	100		5%	1/10W
R341	1-216-809-11	METAL CHIP	100		5%	1/10W	R416	1-216-837-11	METAL CHIP	22K		5%	1/10W
R342	1-216-809-11	METAL CHIP	100		5%	1/10W	R417	1-216-839-11	METAL CHIP	33K		5%	1/10W
R343	1-216-809-11	METAL CHIP	100		5%	1/10W	R418	1-216-845-11	METAL CHIP	100K		5%	1/10W
R344	1-216-809-11	METAL CHIP	100		5%	1/10W	R419	1-216-833-11	METAL CHIP	10K		5%	1/10W
R345	1-216-845-11	METAL CHIP	100K		5%	1/10W	R420	1-216-841-11	METAL CHIP	47K		5%	1/10W
R347	1-216-825-11	METAL CHIP	2.2K		5%	1/10W							
R348	1-216-825-11	METAL CHIP	2.2K		5%	1/10W							
R349	1-216-825-11	METAL CHIP	2.2K		5%	1/10W							
R350	1-216-809-11	METAL CHIP	100		5%	1/10W							

Ref. No.	Part No.	Description	Remark
R421	1-216-821-11	METAL CHIP 1K 5%	1/10W
R422	1-216-833-11	METAL CHIP 10K 5%	1/10W
R424	1-216-841-11	METAL CHIP 47K 5%	1/10W
R425	1-216-829-11	METAL CHIP 4.7K 5%	1/10W
R426	1-216-829-11	METAL CHIP 4.7K 5%	1/10W
R427	1-216-829-11	METAL CHIP 4.7K 5%	1/10W
R428	1-216-829-11	METAL CHIP 4.7K 5%	1/10W
R429	1-216-833-11	METAL CHIP 10K 5%	1/10W
R430	1-216-833-11	METAL CHIP 10K 5%	1/10W
R431	1-216-833-11	METAL CHIP 10K 5%	1/10W
R432	1-216-833-11	METAL CHIP 10K 5%	1/10W
R433	1-216-841-11	METAL CHIP 47K 5%	1/10W
R434	1-216-833-11	METAL CHIP 10K 5%	1/10W
R435	1-216-829-11	METAL CHIP 4.7K 5%	1/10W
R436	1-216-825-11	METAL CHIP 2.2K 5%	1/10W
R437	1-216-833-11	METAL CHIP 10K 5%	1/10W
R438	1-216-833-11	METAL CHIP 10K 5%	1/10W
R439	1-216-841-11	METAL CHIP 47K 5%	1/10W
R445	1-216-821-11	METAL CHIP 1K 5%	1/10W
R446	1-216-821-11	METAL CHIP 1K 5%	1/10W
R447	1-216-841-11	METAL CHIP 47K 5%	1/10W
R448	1-216-841-11	METAL CHIP 47K 5%	1/10W
R449	1-216-839-11	METAL CHIP 33K 5%	1/10W
R450	1-216-849-11	METAL CHIP 220K 5%	1/10W
R454	1-216-853-11	METAL CHIP 470K 5%	1/10W
R455	1-216-829-11	METAL CHIP 4.7K 5%	1/10W
R456	1-216-841-11	METAL CHIP 47K 5%	1/10W
R457	1-216-825-11	METAL CHIP 2.2K 5%	1/10W
R458	1-216-825-11	METAL CHIP 2.2K 5%	1/10W
R459	1-216-797-11	METAL CHIP 10 5%	1/10W
R460	1-216-797-11	METAL CHIP 10 5%	1/10W
R461	1-216-797-11	METAL CHIP 10 5%	1/10W
R462	1-216-797-11	METAL CHIP 10 5%	1/10W
R601	1-216-835-11	METAL CHIP 15K 5%	1/10W
R602	1-216-829-11	METAL CHIP 4.7K 5%	1/10W
R603	1-216-834-11	METAL CHIP 12K 5%	1/10W
R604	1-216-841-11	METAL CHIP 47K 5%	1/10W
R605	1-216-835-11	METAL CHIP 15K 5%	1/10W
R606	1-216-829-11	METAL CHIP 4.7K 5%	1/10W
R607	1-216-834-11	METAL CHIP 12K 5%	1/10W
R608	1-216-841-11	METAL CHIP 47K 5%	1/10W
R609	1-216-821-11	METAL CHIP 1K 5%	1/10W
R611	1-216-821-11	METAL CHIP 1K 5%	1/10W
R612	1-216-821-11	METAL CHIP 1K 5%	1/10W
R1002	1-216-864-11	SHORT CHIP 0 (E2)	
R1004	1-216-864-11	SHORT CHIP 0 (E51)	
R1006	1-216-864-11	SHORT CHIP 0 (E3)	
R1010	1-216-864-11	SHORT CHIP 0 (MX)	
		< VIBRATOR >	
X101	1-781-282-51	VIBRATOR, CERAMIC (4MHz)	
X102	1-795-058-21	VIBRATOR, CERAMIC (5MHz)	
X103	1-814-067-11	OSCILLATOR, CRYSTAL (32.768kHz)	

Ref. No.	Part No.	Description	Remark
		MASTER VOLUME BOARD	

		< CAPACITOR >	
C1391	1-100-831-91	CERAMIC CHIP 0.001uF 2% 50V	
		< CONNECTOR >	
CN1393	1-784-735-11	CONNECTOR, FFC 13P	
		< DIODE >	
D1391	6-502-401-11	LED 1L434FA22E0TDT01	(POWER ILLUMINATION)
D1392	6-502-401-11	LED 1L434FA22E0TDT01	(POWER ILLUMINATION)
D1393	6-502-401-11	LED 1L434FA22E0TDT01	(POWER ILLUMINATION)
D1394	6-502-401-11	LED 1L434FA22E0TDT01	(POWER ILLUMINATION)
D1395	6-502-401-11	LED 1L434FA22E0TDT01	(POWER ILLUMINATION)
D1396	6-502-401-11	LED 1L434FA22E0TDT01	(POWER ILLUMINATION)
D1397	6-502-840-01	LED SDPB31L3C0100-A	(POWER ILLUMINATION)
D1398	6-502-840-01	LED SDPB31L3C0100-A	(POWER ILLUMINATION)
D1399	6-502-840-01	LED SDPB31L3C0100-A	(POWER ILLUMINATION)
D1400	6-502-840-01	LED SDPB31L3C0100-A	(POWER ILLUMINATION)
D1401	6-502-840-01	LED SDPB31L3C0100-A	(POWER ILLUMINATION)
D1402	6-502-840-01	LED SDPB31L3C0100-A	(POWER ILLUMINATION)
D1403	6-502-401-11	LED 1L434FA22E0TDT01 (X-MAXIMIZER)	
D1404	6-502-401-11	LED 1L434FA22E0TDT01	(AUTO MP3 BOOSTER+)
D1405	6-501-817-01	DIODE MA2J1110GLS0	
D1406	6-501-817-01	DIODE MA2J1110GLS0	
D1408	6-500-335-01	DIODE MC2838-T112-1	
D1409	6-500-335-01	DIODE MC2838-T112-1	
		< RESISTOR >	
R1391	1-216-823-11	METAL CHIP 1.5K 5%	1/10W
R1392	1-216-825-11	METAL CHIP 2.2K 5%	1/10W
R1393	1-216-827-11	METAL CHIP 3.3K 5%	1/10W
R1394	1-216-829-11	METAL CHIP 4.7K 5%	1/10W
R1395	1-218-867-11	METAL CHIP 6.8K 0.5%	1/10W
R1396	1-216-833-11	METAL CHIP 10K 5%	1/10W
R1397	1-216-818-11	METAL CHIP 560 5%	1/10W
R1398	1-216-818-11	METAL CHIP 560 5%	1/10W
R1399	1-216-818-11	METAL CHIP 560 5%	1/10W
R1400	1-216-818-11	METAL CHIP 560 5%	1/10W
R1401	1-216-818-11	METAL CHIP 560 5%	1/10W
R1402	1-216-818-11	METAL CHIP 560 5%	1/10W
R1403	1-216-818-11	METAL CHIP 560 5%	1/10W
R1404	1-216-818-11	METAL CHIP 560 5%	1/10W
R1405	1-216-818-11	METAL CHIP 560 5%	1/10W
R1406	1-216-818-11	METAL CHIP 560 5%	1/10W
R1407	1-216-818-11	METAL CHIP 560 5%	1/10W
R1409	1-216-818-11	METAL CHIP 560 5%	1/10W
R1410	1-216-816-11	METAL CHIP 390 5%	1/10W

HCD-ZUX999

MASTER VOLUME	MICROPHONE	MOTOR (LD)
MOTOR (TB)	OPEN/CLOSE KEY	PANEL FUNCTION

Ref. No.	Part No.	Description	Remark
R1411	1-216-816-11	METAL CHIP 390 5%	1/10W
R1412	1-216-816-11	METAL CHIP 390 5%	1/10W
R1413	1-216-816-11	METAL CHIP 390 5%	1/10W
R1414	1-216-816-11	METAL CHIP 390 5%	1/10W
R1415	1-216-816-11	METAL CHIP 390 5%	1/10W
R1416	1-216-816-11	METAL CHIP 390 5%	1/10W
R1417	1-216-816-11	METAL CHIP 390 5%	1/10W
R1418	1-216-816-11	METAL CHIP 390 5%	1/10W
R1419	1-216-816-11	METAL CHIP 390 5%	1/10W
R1424	1-216-816-11	METAL CHIP 390 5%	1/10W
R1425	1-216-816-11	METAL CHIP 390 5%	1/10W
R1570	1-216-818-11	METAL CHIP 560 5%	1/10W
R1581	1-216-818-11	METAL CHIP 560 5%	1/10W
R1582	1-216-818-11	METAL CHIP 560 5%	1/10W
R1583	1-216-818-11	METAL CHIP 560 5%	1/10W
< SWITCH >			
S1391	1-786-417-11	ENCODER, ROTARY (MASTER VOLUME)	
S1392	1-771-410-21	SWITCH, TACTILE (GROOVE)	
S1393	1-771-410-21	SWITCH, TACTILE (ILLUMINATION)	
S1394	1-771-410-21	SWITCH, TACTILE (LEVEL INDICATOR)	
S1395	1-771-410-21	SWITCH, TACTILE (SURROUND)	
S1396	1-771-410-21	SWITCH, TACTILE (AUTO MP3 BOOSTER+)	
S1397	1-771-410-21	SWITCH, TACTILE (X-MAXIMIZER)	

MICROPHONE BOARD *****			
< CAPACITOR >			
C501	1-164-156-11	CERAMIC CHIP 0.1uF 25V	
C502	1-162-971-11	CERAMIC CHIP 0.001uF 10% 50V	
C503	1-115-872-11	ELECT 2.2uF 20% 50V	
C504	1-115-871-11	ELECT 1uF 20% 50V	
C505	1-162-965-11	CERAMIC CHIP 0.0015uF 10% 50V	
C506	1-126-382-11	ELECT 100uF 20% 16V	
C508	1-115-871-11	ELECT 1uF 20% 50V	
C510	1-126-794-11	ELECT 4.7uF 20% 50V	
C511	1-115-870-11	ELECT 0.47uF 20% 50V	
C512	1-115-870-11	ELECT 0.47uF 20% 50V	
C513	1-126-933-11	ELECT 100uF 20% 16V	
C514	1-162-974-11	CERAMIC CHIP 0.01uF 50V	
C515	1-126-794-11	ELECT 4.7uF 20% 50V	
C516	1-162-974-11	CERAMIC CHIP 0.01uF 50V	
C517	1-126-382-11	ELECT 100uF 20% 16V	
C518	1-162-964-11	CERAMIC CHIP 0.001uF 10% 50V	
< GROUND TERMINAL >			
ET501	1-537-771-21	TERMINAL BOARD, GROUND	
< IC >			
IC501	6-713-989-01	IC NJM2783V(TE2)	
< JACK >			
J501	1-770-226-11	JACK (LARGE TYPE) (MIC)	
< RESISTOR >			
R501	1-216-821-11	METAL CHIP 1K 5%	1/10W
R502	1-216-845-11	METAL CHIP 100K 5%	1/10W
R503	1-216-821-11	METAL CHIP 1K 5%	1/10W

Ref. No.	Part No.	Description	Remark
R504	1-216-857-11	METAL CHIP 1M 5%	1/10W
R505	1-216-838-11	METAL CHIP 27K 5%	1/10W
R506	1-216-826-11	METAL CHIP 2.7K 5%	1/10W
R507	1-216-841-11	METAL CHIP 47K 5%	1/10W
R508	1-216-833-11	METAL CHIP 10K 5%	1/10W
R510	1-216-837-11	METAL CHIP 22K 5%	1/10W
R511	1-216-837-11	METAL CHIP 22K 5%	1/10W
R512	1-216-801-11	METAL CHIP 22 5%	1/10W
R513	1-216-833-11	METAL CHIP 10K 5%	1/10W
R515	1-216-864-11	SHORT CHIP 0	
R516	1-216-837-11	METAL CHIP 22K 5%	1/10W

1-687-133-12		MOTOR (LD) BOARD	*****

1-687-134-12		MOTOR (TB) BOARD	*****

< CONNECTOR >			
CN742	1-784-727-11	CONNECTOR, FFC 5P	

OPEN/CLOSE KEY BOARD *****			
< CONNECTOR >			
CN1429	1-564-719-11	PIN, CONNECTOR (SMALL TYPE) 3P	
< RESISTOR >			
R1429	1-218-867-11	METAL CHIP 6.8K 0.5%	1/10W
R1430	1-216-833-11	METAL CHIP 10K 5%	1/10W
< SWITCH >			
S1429	1-771-410-21	SWITCH, TACTILE (▲ OPEN/CLOSE)	
S1430	1-771-410-21	SWITCH, TACTILE (DISC SKIP/EX-CHANGE)	

A-1707-040-A		PANEL FUNCTION BOARD, COMPLETE	*****

< CAPACITOR >			
C1001	1-100-597-91	CERAMIC CHIP 0.1uF 10% 25V	
C1002	1-100-597-91	CERAMIC CHIP 0.1uF 10% 25V	
C1006	1-124-589-11	ELECT 47uF 20% 16V	
C1007	1-124-589-11	ELECT 47uF 20% 16V	
C1008	1-125-972-91	ELECT 100uF 20% 16V	
C1021	1-125-972-91	ELECT 100uF 20% 16V	
< CONNECTOR >			
CN1001	1-784-739-11	CONNECTOR, FFC 17P	
CN1003	1-784-735-11	CONNECTOR, FFC 13P	
CN1005	1-784-753-11	CONNECTOR, FFC 31P	
CN1008	1-784-735-11	CONNECTOR, FFC 13P	
CN1010	1-564-720-11	PIN, CONNECTOR (SMALL TYPE) 4P	
CN1011	1-564-720-11	PIN, CONNECTOR (SMALL TYPE) 4P	
CN1012	1-784-735-11	CONNECTOR, FFC 13P	
< DIODE >			
D1001	6-502-401-11	LED 1L434FA22E0TDT01 (USB 1)	

PANEL FUNCTION

Ref. No.	Part No.	Description	Remark	Ref. No.	Part No.	Description	Remark
D1003	6-502-401-11	LED 1L434FA22E0TDT01 (TUNER/BAND)		D1056	6-502-401-11	LED 1L434FA22E0TDT01 (CD/DISC)	
D1004	6-502-401-11	LED 1L434FA22E0TDT01 (▶▶ (CHANNEL B))		D1057	6-502-401-11	LED 1L434FA22E0TDT01 (USB 1)	
D1005	6-502-401-11	LED 1L434FA22E0TDT01 (CD/DISC)		D1059	6-502-401-11	LED 1L434FA22E0TDT01 (USB 2)	
D1006	6-502-401-11	LED 1L434FA22E0TDT01 (▶▶ (CHANNEL A))		D1060	6-502-401-11	LED 1L434FA22E0TDT01 (AUDIO IN 1)	
D1008	6-502-401-11	LED 1L434FA22E0TDT01 (USB 2)		D1061	6-502-401-11	LED 1L434FA22E0TDT01 (AUDIO IN 2)	
D1009	6-502-401-11	LED 1L434FA22E0TDT01 (AUDIO IN 2)				< IC >	
D1010	6-502-401-11	LED 1L434FA22E0TDT01 (AUDIO IN 1)		IC1001	6-707-095-01	IC BH2210FV-E2	
D1012	6-502-840-01	LED SDPB31L3C0100-A (SOUND FLASH)		IC1002	6-707-095-01	IC BH2210FV-E2	
D1013	6-502-808-01	LED SLR343BC7TT32XK (BAR ILLUMINATION RIGHT)				< JUMPER RESISTOR >	
D1014	6-502-840-01	LED SDPB31L3C0100-A (CROSS FADER R)		JR1000	1-216-864-11	SHORT CHIP	0
D1015	6-502-808-01	LED SLR343BC7TT32XK (BAR ILLUMINATION LEFT)		JR1001	1-216-296-11	SHORT CHIP	0
D1016	6-502-808-01	LED SLR343BC7TT32XK (BAR ILLUMINATION LEFT)		JR1002	1-216-864-11	SHORT CHIP	0
D1017	6-502-808-01	LED SLR343BC7TT32XK (BAR ILLUMINATION LEFT)		JR1003	1-216-296-11	SHORT CHIP	0
D1018	6-502-808-01	LED SLR343BC7TT32XK (BAR ILLUMINATION LEFT)		JR1005	1-216-296-11	SHORT CHIP	0
D1019	6-502-840-01	LED SDPB31L3C0100-A (X-ROUND ON/OFF)		JR1006	1-216-296-11	SHORT CHIP	0
D1020	6-502-840-01	LED SDPB31L3C0100-A (MAX PAD)		JR1007	1-216-296-11	SHORT CHIP	0
D1021	6-502-840-01	LED SDPB31L3C0100-A (X-ROUND AUTO)		JR1008	1-216-864-11	SHORT CHIP	0
D1022	6-502-840-01	LED SDPB31L3C0100-A (X-ROUND MANUAL)		JR1009	1-216-296-11	SHORT CHIP	0
D1023	6-502-840-01	LED SDPB31L3C0100-A (DELAY)		JR1010	1-216-296-11	SHORT CHIP	0
D1024	6-502-808-01	LED SLR343BC7TT32XK (BAR ILLUMINATION RIGHT)		JR1011	1-216-864-11	SHORT CHIP	0
D1025	6-502-808-01	LED SLR343BC7TT32XK (BAR ILLUMINATION LEFT)		JR1013	1-216-296-11	SHORT CHIP	0
D1026	6-502-808-01	LED SLR343BC7TT32XK (BAR ILLUMINATION LEFT)		JR1014	1-216-296-11	SHORT CHIP	0
D1027	6-502-808-01	LED SLR343BC7TT32XK (BAR ILLUMINATION RIGHT)		JR1015	1-216-864-11	SHORT CHIP	0
D1028	6-502-808-01	LED SLR343BC7TT32XK (BAR ILLUMINATION RIGHT)		JR1016	1-216-296-11	SHORT CHIP	0
D1029	6-502-808-01	LED SLR343BC7TT32XK (BAR ILLUMINATION RIGHT)		JR1017	1-216-296-11	SHORT CHIP	0
D1030	6-502-808-01	LED SLR343BC7TT32XK (BAR ILLUMINATION RIGHT)		JR1019	1-216-296-11	SHORT CHIP	0
D1031	6-502-840-01	LED SDPB31L3C0100-A (FLANGER)		JR1020	1-216-296-11	SHORT CHIP	0
D1032	6-502-840-01	LED SDPB31L3C0100-A (ISOLATOR)		JR1025	1-216-296-11	SHORT CHIP	0
D1033	6-501-691-01	LED 1L434FV22D0TDF01 (Ⓜ CUE A (DJ MODE))		JR1027	1-216-296-11	SHORT CHIP	0
D1034	6-501-691-01	LED 1L434FV22D0TDF01 (Ⓜ CUE B (DJ MODE))		JR1028	1-216-296-11	SHORT CHIP	0
D1035	6-502-412-01	LED SDPG31H3C0100 (▶▶ (CHANNEL A))		JR1029	1-216-296-11	SHORT CHIP	0
D1036	6-502-412-01	LED SDPG31H3C0100 (▶▶ (CHANNEL B))		JR1031	1-216-296-11	SHORT CHIP	0
D1037	6-502-840-01	LED SDPB31L3C0100-A (CROSS FADER L)		JR1032	1-216-296-11	SHORT CHIP	0
D1038	6-500-335-01	DIODE MC2838-T112-1		JR1033	1-216-296-11	SHORT CHIP	0
D1039	6-500-335-01	DIODE MC2838-T112-1		JR1034	1-216-296-11	SHORT CHIP	0
D1040	6-500-335-01	DIODE MC2838-T112-1		JR1035	1-216-296-11	SHORT CHIP	0
D1041	6-500-335-01	DIODE MC2838-T112-1		JR1036	1-216-296-11	SHORT CHIP	0
D1042	6-500-335-01	DIODE MC2838-T112-1		JR1038	1-216-864-11	SHORT CHIP	0
D1043	6-500-335-01	DIODE MC2838-T112-1		JR1039	1-216-296-11	SHORT CHIP	0
D1044	6-500-335-01	DIODE MC2838-T112-1		JR1040	1-216-296-11	SHORT CHIP	0
D1045	6-501-817-01	DIODE MA2J1110GLSO		JR1041	1-216-296-11	SHORT CHIP	0
D1046	6-501-817-01	DIODE MA2J1110GLSO		JR1042	1-216-864-11	SHORT CHIP	0
D1047	6-501-817-01	DIODE MA2J1110GLSO		JR1043	1-216-296-11	SHORT CHIP	0
D1049	6-501-817-01	DIODE MA2J1110GLSO		JR1045	1-216-296-11	SHORT CHIP	0
D1050	6-501-817-01	DIODE MA2J1110GLSO		JR1046	1-216-296-11	SHORT CHIP	0
D1051	6-501-817-01	DIODE MA2J1110GLSO		JR1131	1-216-296-11	SHORT CHIP	0
D1052	6-501-817-01	DIODE MA2J1110GLSO		JR1132	1-216-296-11	SHORT CHIP	0
D1053	6-501-817-01	DIODE MA2J1110GLSO				< TRANSISTOR >	
D1054	6-501-817-01	DIODE MA2J1110GLSO		Q1002	8-729-037-13	TRANSISTOR KTA1271Y	
D1055	6-502-401-11	LED 1L434FA22E0TDT01 (TUNER/BAND)		Q1003	8-729-620-07	TRANSISTOR 2SC3052EF-T1-LEF	
				Q1006	8-729-027-56	TRANSISTOR DTC143TKA-T146	
				Q1007	8-729-027-56	TRANSISTOR DTC143TKA-T146	
				Q1008	8-729-027-56	TRANSISTOR DTC143TKA-T146	
				Q1009	8-729-027-56	TRANSISTOR DTC143TKA-T146	
				Q1010	8-729-027-43	TRANSISTOR DTC114EKA-T146	
				Q1013	8-729-037-13	TRANSISTOR KTA1271Y	
				Q1014	8-729-037-13	TRANSISTOR KTA1271Y	
				Q1015	8-729-027-56	TRANSISTOR DTC143TKA-T146	

PANEL FUNCTION

Ref. No.	Part No.	Description	Remark	Ref. No.	Part No.	Description	Remark
Q1016	8-729-027-56	TRANSISTOR DTC143TKA-T146		R1048	1-216-823-11	METAL CHIP 1.5K	5% 1/10W
Q1017	8-729-027-56	TRANSISTOR DTC143TKA-T146		R1049	1-216-835-11	METAL CHIP 15K	5% 1/10W
Q1018	8-729-027-56	TRANSISTOR DTC143TKA-T146		R1050	1-216-835-11	METAL CHIP 15K	5% 1/10W
Q1019	8-729-027-56	TRANSISTOR DTC143TKA-T146		R1051	1-216-837-11	METAL CHIP 22K	5% 1/10W
Q1020	8-729-027-56	TRANSISTOR DTC143TKA-T146		R1052	1-216-817-11	METAL CHIP 470	5% 1/10W
Q1021	8-729-027-56	TRANSISTOR DTC143TKA-T146		R1053	1-216-837-11	METAL CHIP 22K	5% 1/10W
Q1022	8-729-027-56	TRANSISTOR DTC143TKA-T146		R1054	1-216-817-11	METAL CHIP 470	5% 1/10W
Q1023	8-729-052-82	TRANSISTOR KTA1281Y-AT		R1061	1-216-833-11	METAL CHIP 10K	5% 1/10W
Q1032	8-729-027-43	TRANSISTOR DTC114EKA-T146		R1062	1-216-833-11	METAL CHIP 10K	5% 1/10W
Q1038	8-729-027-56	TRANSISTOR DTC143TKA-T146		R1063	1-216-825-11	METAL CHIP 2.2K	5% 1/10W
Q1043	8-729-027-56	TRANSISTOR DTC143TKA-T146		R1064	1-216-817-11	METAL CHIP 470	5% 1/10W
Q1049	8-729-027-56	TRANSISTOR DTC143TKA-T146		R1066	1-216-817-11	METAL CHIP 470	5% 1/10W
Q1050	8-729-027-56	TRANSISTOR DTC143TKA-T146		R1067	1-216-817-11	METAL CHIP 470	5% 1/10W
Q1051	8-729-027-56	TRANSISTOR DTC143TKA-T146		R1070	1-216-825-11	METAL CHIP 2.2K	5% 1/10W
Q1052	8-729-027-56	TRANSISTOR DTC143TKA-T146		R1071	1-216-825-11	METAL CHIP 2.2K	5% 1/10W
Q1053	8-729-027-56	TRANSISTOR DTC143TKA-T146		R1075	1-216-823-11	METAL CHIP 1.5K	5% 1/10W
Q1055	6-551-690-01	TRANSISTOR RT3N11M-TP-1		R1077	1-216-816-11	METAL CHIP 390	5% 1/10W
Q1056	8-729-027-56	TRANSISTOR DTC143TKA-T146		R1078	1-216-816-11	METAL CHIP 390	5% 1/10W
Q1057	8-729-027-43	TRANSISTOR DTC114EKA-T146		R1079	1-216-816-11	METAL CHIP 390	5% 1/10W
		< RESISTOR >		R1080	1-216-816-11	METAL CHIP 390	5% 1/10W
R1001	1-216-821-11	METAL CHIP 1K	5% 1/10W	R1081	1-216-816-11	METAL CHIP 390	5% 1/10W
R1002	1-216-821-11	METAL CHIP 1K	5% 1/10W	R1082	1-216-816-11	METAL CHIP 390	5% 1/10W
R1004	1-216-816-11	METAL CHIP 390	5% 1/10W	R1083	1-216-816-11	METAL CHIP 390	5% 1/10W
R1005	1-216-816-11	METAL CHIP 390	5% 1/10W	R1084	1-216-816-11	METAL CHIP 390	5% 1/10W
R1006	1-216-818-11	METAL CHIP 560	5% 1/10W	R1085	1-216-816-11	METAL CHIP 390	5% 1/10W
R1007	1-216-818-11	METAL CHIP 560	5% 1/10W	R1086	1-216-816-11	METAL CHIP 390	5% 1/10W
R1008	1-216-818-11	METAL CHIP 560	5% 1/10W	R1087	1-216-816-11	METAL CHIP 390	5% 1/10W
R1009	1-216-816-11	METAL CHIP 390	5% 1/10W	R1088	1-216-816-11	METAL CHIP 390	5% 1/10W
R1011	1-216-818-11	METAL CHIP 560	5% 1/10W	R1089	1-216-816-11	METAL CHIP 390	5% 1/10W
R1012	1-216-818-11	METAL CHIP 560	5% 1/10W	R1090	1-216-816-11	METAL CHIP 390	5% 1/10W
R1013	1-216-816-11	METAL CHIP 390	5% 1/10W	R1091	1-216-816-11	METAL CHIP 390	5% 1/10W
R1016	1-216-837-11	METAL CHIP 22K	5% 1/10W	R1092	1-216-816-11	METAL CHIP 390	5% 1/10W
R1017	1-216-837-11	METAL CHIP 22K	5% 1/10W	R1093	1-216-816-11	METAL CHIP 390	5% 1/10W
R1021	1-216-833-11	METAL CHIP 10K	5% 1/10W	R1094	1-216-816-11	METAL CHIP 390	5% 1/10W
R1022	1-216-833-11	METAL CHIP 10K	5% 1/10W	R1095	1-216-816-11	METAL CHIP 390	5% 1/10W
R1023	1-216-821-11	METAL CHIP 1K	5% 1/10W	R1096	1-216-816-11	METAL CHIP 390	5% 1/10W
R1024	1-216-819-11	METAL CHIP 680	5% 1/10W	R1097	1-216-816-11	METAL CHIP 390	5% 1/10W
R1025	1-216-819-11	METAL CHIP 680	5% 1/10W	R1099	1-216-816-11	METAL CHIP 390	5% 1/10W
R1026	1-216-819-11	METAL CHIP 680	5% 1/10W	R1100	1-216-816-11	METAL CHIP 390	5% 1/10W
R1027	1-216-821-11	METAL CHIP 1K	5% 1/10W	R1101	1-216-816-11	METAL CHIP 390	5% 1/10W
R1028	1-216-821-11	METAL CHIP 1K	5% 1/10W	R1105	1-216-816-11	METAL CHIP 390	5% 1/10W
R1029	1-216-823-11	METAL CHIP 1.5K	5% 1/10W	R1106	1-216-816-11	METAL CHIP 390	5% 1/10W
R1030	1-216-823-11	METAL CHIP 1.5K	5% 1/10W	R1107	1-216-816-11	METAL CHIP 390	5% 1/10W
R1031	1-216-823-11	METAL CHIP 1.5K	5% 1/10W	R1108	1-216-816-11	METAL CHIP 390	5% 1/10W
R1032	1-216-823-11	METAL CHIP 1.5K	5% 1/10W	R1109	1-216-818-11	METAL CHIP 560	5% 1/10W
R1033	1-216-825-11	METAL CHIP 2.2K	5% 1/10W	R1110	1-216-818-11	METAL CHIP 560	5% 1/10W
R1034	1-216-827-11	METAL CHIP 3.3K	5% 1/10W	R1111	1-216-816-11	METAL CHIP 390	5% 1/10W
R1035	1-216-825-11	METAL CHIP 2.2K	5% 1/10W	R1112	1-216-816-11	METAL CHIP 390	5% 1/10W
R1036	1-216-827-11	METAL CHIP 3.3K	5% 1/10W	R1113	1-216-818-11	METAL CHIP 560	5% 1/10W
R1037	1-216-827-11	METAL CHIP 3.3K	5% 1/10W	R1114	1-216-816-11	METAL CHIP 390	5% 1/10W
R1038	1-216-829-11	METAL CHIP 4.7K	5% 1/10W	R1115	1-216-816-11	METAL CHIP 390	5% 1/10W
R1039	1-216-829-11	METAL CHIP 4.7K	5% 1/10W	R1116	1-216-818-11	METAL CHIP 560	5% 1/10W
R1040	1-218-867-11	METAL CHIP 6.8K	0.5% 1/10W	R1117	1-216-818-11	METAL CHIP 560	5% 1/10W
R1041	1-216-829-11	METAL CHIP 4.7K	5% 1/10W	R1118	1-216-818-11	METAL CHIP 560	5% 1/10W
R1042	1-218-867-11	METAL CHIP 6.8K	0.5% 1/10W	R1119	1-216-816-11	METAL CHIP 390	5% 1/10W
R1043	1-216-833-11	METAL CHIP 10K	5% 1/10W	R1120	1-216-816-11	METAL CHIP 390	5% 1/10W
R1044	1-218-867-11	METAL CHIP 6.8K	0.5% 1/10W	R1121	1-216-816-11	METAL CHIP 390	5% 1/10W
R1045	1-216-833-11	METAL CHIP 10K	5% 1/10W	R1122	1-216-816-11	METAL CHIP 390	5% 1/10W
R1046	1-216-825-11	METAL CHIP 2.2K	5% 1/10W	R1123	1-216-818-11	METAL CHIP 560	5% 1/10W
R1047	1-216-833-11	METAL CHIP 10K	5% 1/10W	R1124	1-216-818-11	METAL CHIP 560	5% 1/10W

Ref. No.	Part No.	Description	Remark	Ref. No.	Part No.	Description	Remark
R1125	1-216-818-11	METAL CHIP	560 5%	1/10W	S1011	1-771-410-21	SWITCH, TACTILE (☐ - (CHANNEL B))
R1126	1-216-818-11	METAL CHIP	560 5%	1/10W	S1012	1-771-410-21	SWITCH, TACTILE (☐ + (CHANNEL B))
R1127	1-216-864-11	SHORT CHIP	0		S1013	1-771-410-21	SWITCH, TACTILE (X-ROUND ON/OFF)
R1128	1-216-864-11	SHORT CHIP	0		S1014	1-771-410-21	SWITCH, TACTILE (X-ROUND AUTO)
R1134	1-216-809-11	METAL CHIP	100 5%	1/10W	S1015	1-771-410-21	SWITCH, TACTILE (X-ROUND MANUAL)
R1135	1-216-809-11	METAL CHIP	100 5%	1/10W	S1016	1-771-410-21	SWITCH, TACTILE (DISPLAY B)
R1136	1-216-809-11	METAL CHIP	100 5%	1/10W	S1017	1-771-410-21	SWITCH, TACTILE (OPTIONS)
R1137	1-216-809-11	METAL CHIP	100 5%	1/10W	S1018	1-771-410-21	SWITCH, TACTILE (USB 2)
R1138	1-216-809-11	METAL CHIP	100 5%	1/10W	S1019	1-771-410-21	SWITCH, TACTILE (AUDIO IN 2)
R1139	1-216-833-11	METAL CHIP	10K 5%	1/10W	S1020	1-771-410-21	SWITCH, TACTILE (CD/DISC)
R1140	1-216-809-11	METAL CHIP	100 5%	1/10W	S1021	1-771-410-21	SWITCH, TACTILE (USB 1)
R1141	1-216-833-11	METAL CHIP	10K 5%	1/10W	S1022	1-771-410-21	SWITCH, TACTILE (TUNER/BAND)
R1142	1-216-833-11	METAL CHIP	10K 5%	1/10W	S1023	1-771-410-21	SWITCH, TACTILE (AUDIO IN 1)
R1143	1-216-833-11	METAL CHIP	10K 5%	1/10W	S1024	1-771-410-21	SWITCH, TACTILE (NIGHT MODE)
R1144	1-216-809-11	METAL CHIP	100 5%	1/10W	S1025	1-771-410-21	SWITCH, TACTILE (▶▶ (CHANNEL A))
R1145	1-216-809-11	METAL CHIP	100 5%	1/10W	S1026	1-771-410-21	SWITCH, TACTILE (■ (CHANNEL A))
R1146	1-216-809-11	METAL CHIP	100 5%	1/10W	S1027	1-771-410-21	SWITCH, TACTILE (RETURN (CHANNEL A))
R1147	1-216-833-11	METAL CHIP	10K 5%	1/10W	S1028	1-771-410-21	SWITCH, TACTILE (◀◀◀ (CHANNEL A))
R1148	1-216-833-11	METAL CHIP	10K 5%	1/10W	S1029	1-771-410-21	SWITCH, TACTILE (▶▶▶ (CHANNEL A))
R1149	1-216-833-11	METAL CHIP	10K 5%	1/10W	S1030	1-771-410-21	SWITCH, TACTILE (☐ - (CHANNEL A))
R1151	1-216-833-11	METAL CHIP	10K 5%	1/10W	S1031	1-771-410-21	SWITCH, TACTILE (☐ + (CHANNEL A))
R1152	1-216-809-11	METAL CHIP	100 5%	1/10W	S1032	1-771-410-21	SWITCH, TACTILE (ISOLATOR)
R1153	1-216-809-11	METAL CHIP	100 5%	1/10W	S1033	1-771-410-21	SWITCH, TACTILE (FLANGER)
R1154	1-216-809-11	METAL CHIP	100 5%	1/10W	S1034	1-771-410-21	SWITCH, TACTILE (DISPLAY A)
R1155	1-216-809-11	METAL CHIP	100 5%	1/10W	S1035	1-476-470-11	ENCODER (ROTARY) (MULTI JOG (CHANNEL A))
R1156	1-216-817-11	METAL CHIP	470 5%	1/10W	S1036	1-476-470-11	ENCODER (ROTARY) (MULTI JOG (CHANNEL B))
R1157	1-216-818-11	METAL CHIP	560 5%	1/10W	*****		
R1158	1-216-818-11	METAL CHIP	560 5%	1/10W	PT BOARD		
R1159	1-216-818-11	METAL CHIP	560 5%	1/10W	*****		
R1160	1-216-818-11	METAL CHIP	560 5%	1/10W	< CAPACITOR >		
R1161	1-216-818-11	METAL CHIP	560 5%	1/10W	△ C825	1-128-563-11	ELECT 100uF 20% 100V
R1162	1-216-816-11	METAL CHIP	390 5%	1/10W	C826	1-126-968-11	ELECT 100uF 20% 50V
R1163	1-216-816-11	METAL CHIP	390 5%	1/10W	C827	1-126-968-11	ELECT 100uF 20% 50V
R1164	1-216-816-11	METAL CHIP	390 5%	1/10W	< CONNECTOR >		
R1165	1-216-816-11	METAL CHIP	390 5%	1/10W	CN823	1-691-768-11	PLUG (MICRO CONNECTOR) 6P
R1166	1-216-818-11	METAL CHIP	560 5%	1/10W	CN824	1-564-242-00	PIN, CONNECTOR (3.96mm PITCH) 5P
R1167	1-216-818-11	METAL CHIP	560 5%	1/10W	< DIODE >		
R1168	1-216-818-11	METAL CHIP	560 5%	1/10W	D820	6-501-785-01	DIODE MAZ8200GMLS0
R1169	1-216-818-11	METAL CHIP	560 5%	1/10W	D821	6-501-785-01	DIODE MAZ8200GMLS0
R1170	1-216-818-11	METAL CHIP	560 5%	1/10W	D822	6-500-522-21	DIODE 10EDB40-TB3
R1171	1-216-818-11	METAL CHIP	560 5%	1/10W	< FUSE HOLDER >		
R1172	1-216-818-11	METAL CHIP	560 5%	1/10W	FH821	1-533-217-41	HOLDER, FUSE
R1173	1-216-818-11	METAL CHIP	560 5%	1/10W	FH822	1-533-217-41	HOLDER, FUSE
R1174	1-216-818-11	METAL CHIP	560 5%	1/10W	FH823	1-533-217-41	HOLDER, FUSE
R1175	1-216-818-11	METAL CHIP	560 5%	1/10W	FH824	1-533-217-41	HOLDER, FUSE
R1176	1-216-818-11	METAL CHIP	560 5%	1/10W	FH825	1-533-217-41	HOLDER, FUSE
R1177	1-216-818-11	METAL CHIP	560 5%	1/10W	FH826	1-533-217-41	HOLDER, FUSE
R1178	1-216-809-11	METAL CHIP	100 5%	1/10W	FH827	1-533-217-41	HOLDER, FUSE
< SWITCH >				FH828	1-533-217-41	HOLDER, FUSE	
S1001	1-771-410-21	SWITCH, TACTILE (DELAY)		FH829	1-533-217-41	HOLDER, FUSE	
S1002	1-771-410-21	SWITCH, TACTILE (SOUND FLASH)		FH830	1-533-217-41	HOLDER, FUSE	
S1003	1-771-410-21	SWITCH, TACTILE (☺ CUE B (DJ MODE))		< TRANSISTOR >			
S1004	1-771-410-21	SWITCH, TACTILE (MAX PAD)		Q820	8-729-026-68	TRANSISTOR 2SD2525(TP)	
S1005	1-771-410-21	SWITCH, TACTILE (☺ CUE A (DJ MODE))					
S1006	1-771-410-21	SWITCH, TACTILE (▶▶ (CHANNEL B))					
S1007	1-771-410-21	SWITCH, TACTILE (■ (CHANNEL B))					
S1008	1-771-410-21	SWITCH, TACTILE (RETURN (CHANNEL B))					
S1009	1-771-410-21	SWITCH, TACTILE (◀◀◀ (CHANNEL B))					
S1010	1-771-410-21	SWITCH, TACTILE (▶▶▶ (CHANNEL B))					

HCD-ZUX999

PT **REGULATOR** **RIGHT ENTER** **RIGHT PANEL** **SENSOR**

Ref. No.	Part No.	Description	Remark		
< RESISTOR >					
△ R820	1-217-637-55	FUSIBLE	1	5%	1/4W F
R822	1-216-833-11	METAL CHIP	10K	5%	1/10W
R823	1-216-833-11	METAL CHIP	10K	5%	1/10W
R824	1-216-821-11	METAL CHIP	1K	5%	1/10W

REGULATOR BOARD *****					
	7-685-646-79	SCREW +BVTP 3X8 TYPE2 IT-3			
< CAPACITOR >					
C055	1-126-947-11	ELECT	47uF	20%	35V
C056	1-126-947-11	ELECT	47uF	20%	35V
C057	1-126-947-11	ELECT	47uF	20%	35V
C058	1-126-947-11	ELECT	47uF	20%	35V
C059	1-126-960-11	ELECT	1uF	20%	50V
C060	1-126-960-11	ELECT	1uF	20%	50V
C061	1-126-960-11	ELECT	1uF	20%	50V
C062	1-126-960-11	ELECT	1uF	20%	50V
C063	1-100-597-91	CERAMIC CHIP	0.1uF	10%	25V
C064	1-100-597-91	CERAMIC CHIP	0.1uF	10%	25V
< DIODE >					
D051	6-500-522-21	DIODE 10EDB40-TB3			
D052	6-500-522-21	DIODE 10EDB40-TB3			
D053	6-500-522-21	DIODE 10EDB40-TB3			
D054	6-500-522-21	DIODE 10EDB40-TB3			
< IC >					
IC055	6-701-761-01	IC uPC3533AHF			
IC056	6-713-032-01	IC KIA7809API-U/PF			
IC057	6-713-032-01	IC KIA7809API-U/PF			
IC058	6-713-032-01	IC KIA7809API-U/PF			

RIGHT ENTER BOARD *****					
< CONNECTOR >					
CN1432	1-564-721-11	PIN, CONNECTOR (SMALL TYPE) 5P			
< DIODE >					
D1431	6-502-401-11	LED 1L434FA22E0TDT01 (ENTER (CHANNEL B))			
< RESISTOR >					
R1431	1-216-839-11	METAL CHIP	33K	5%	1/10W
R1432	1-216-818-11	METAL CHIP	560	5%	1/10W
R1434	1-216-818-11	METAL CHIP	560	5%	1/10W
< SWITCH >					
S1431	1-771-410-21	SWITCH, TACTILE (ENTER (CHANNEL B))			

Ref. No.	Part No.	Description	Remark		
RIGHT PANEL BOARD *****					
< CONNECTOR >					
CN1362	1-784-735-11	CONNECTOR, FFC 13P			
CN1364	1-564-719-11	PIN, CONNECTOR (SMALL TYPE) 3P			
< DIODE >					
D1367	6-502-401-11	LED 1L434FA22E0TDT01 (BEAT ON/OFF)			
D1368	6-502-401-11	LED 1L434FA22E0TDT01 (BEAT ON/OFF)			
< JUMPER RESISTOR >					
JR1370	1-216-296-11	SHORT CHIP	0		
< RESISTOR >					
R1362	1-216-817-11	METAL CHIP	470	5%	1/10W
R1364	1-216-823-11	METAL CHIP	1.5K	5%	1/10W
R1365	1-216-821-11	METAL CHIP	1K	5%	1/10W
R1366	1-216-819-11	METAL CHIP	680	5%	1/10W
R1367	1-216-821-11	METAL CHIP	1K	5%	1/10W
R1368	1-216-823-11	METAL CHIP	1.5K	5%	1/10W
R1369	1-216-823-11	METAL CHIP	1.5K	5%	1/10W
R1370	1-216-825-11	METAL CHIP	2.2K	5%	1/10W
R1371	1-216-827-11	METAL CHIP	3.3K	5%	1/10W
R1378	1-216-818-11	METAL CHIP	560	5%	1/10W
R1379	1-216-818-11	METAL CHIP	560	5%	1/10W
R1380	1-216-829-11	METAL CHIP	4.7K	5%	1/10W
R1381	1-216-819-11	METAL CHIP	680	5%	1/10W
R1382	1-216-818-11	METAL CHIP	560	5%	1/10W
R1383	1-216-818-11	METAL CHIP	560	5%	1/10W
< VARIABLE RESISTOR >					
RV1150	1-225-475-11	RES, VAR, CARBON 10K (MIC LEVEL)			
RV1151	1-225-475-11	RES, VAR, CARBON 10K (∅; LEVEL (DJ MODE))			
< SWITCH >					
S1361	1-771-410-21	SWITCH, TACTILE (PAD 1)			
S1362	1-771-410-21	SWITCH, TACTILE (PAD 3)			
S1363	1-771-410-21	SWITCH, TACTILE (BEAT PATTERN)			
S1364	1-771-410-21	SWITCH, TACTILE (BEAT SPEED)			
S1365	1-771-410-21	SWITCH, TACTILE (PAD 4)			
S1366	1-771-410-21	SWITCH, TACTILE (BEAT LEVEL)			
S1367	1-771-410-21	SWITCH, TACTILE (BEAT ON/OFF)			
S1368	1-771-410-21	SWITCH, TACTILE (BPM CONTROL)			
S1369	1-771-410-21	SWITCH, TACTILE (PAD 2)			
S1370	1-771-410-21	SWITCH, TACTILE (REC TO USB (USB 2))			
S1371	1-771-410-21	SWITCH, TACTILE (●/ERASE (USB 2))			

1-687-132-12 SENSOR BOARD *****					
< CONNECTOR >					
CN731	1-785-329-21	PIN, CONNECTOR (LIGHT ANGLE) 3P			
< IC >					
IC731	6-600-564-01	IC RPI-579N1			

Ref. No.	Part No.	Description	Remark			Ref. No.	Part No.	Description	Remark		
	A-1707-058-A	SH-TAS BOARD, COMPLETE *****									
		< CAPACITOR >									
C110	1-112-746-11	CERAMIC CHIP 4.7uF	10%	6.3V		C166	1-164-866-11	CERAMIC CHIP 47PF	5%	50V	
C111	1-112-746-11	CERAMIC CHIP 4.7uF	10%	6.3V		C167	1-164-856-81	CERAMIC CHIP 18PF	5%	50V	
C112	1-107-820-81	CERAMIC CHIP 0.1uF		16V		* C168	1-112-298-91	CERAMIC CHIP 1uF	10%	16V	
C113	1-107-820-81	CERAMIC CHIP 0.1uF		16V		C169	1-165-884-11	CERAMIC CHIP 2.2uF	10%	6.3V	
C114	1-107-820-81	CERAMIC CHIP 0.1uF		16V		C170	1-165-884-11	CERAMIC CHIP 2.2uF	10%	6.3V	
C115	1-107-820-81	CERAMIC CHIP 0.1uF		16V		C171	1-165-884-11	CERAMIC CHIP 2.2uF	10%	6.3V	
C116	1-107-820-81	CERAMIC CHIP 0.1uF		16V		C172	1-165-884-11	CERAMIC CHIP 2.2uF	10%	6.3V	
C117	1-126-205-11	ELECT CHIP 47uF	20%	6.3V		* C173	1-112-298-91	CERAMIC CHIP 1uF	10%	16V	
C118	1-125-777-11	CERAMIC CHIP 0.1uF	10%	10V		C174	1-125-777-11	CERAMIC CHIP 0.1uF	10%	10V	
C119	1-164-943-81	CERAMIC CHIP 0.01uF	10%	16V		C175	1-125-777-11	CERAMIC CHIP 0.1uF	10%	10V	
C120	1-164-943-81	CERAMIC CHIP 0.01uF	10%	16V		C176	1-126-204-11	ELECT CHIP 47uF	20%	16V	
C121	1-107-820-81	CERAMIC CHIP 0.1uF		16V		C177	1-164-947-11	CERAMIC CHIP 0.01uF		50V	
C122	1-125-777-11	CERAMIC CHIP 0.1uF	10%	10V		* C178	1-112-298-91	CERAMIC CHIP 1uF	10%	16V	
C123	1-107-820-81	CERAMIC CHIP 0.1uF		16V		* C179	1-112-298-91	CERAMIC CHIP 1uF	10%	16V	
C124	1-164-947-11	CERAMIC CHIP 0.01uF		50V		C180	1-165-989-11	CERAMIC CHIP 10uF	10%	6.3V	
C125	1-112-746-11	CERAMIC CHIP 4.7uF	10%	6.3V		C181	1-165-989-11	CERAMIC CHIP 10uF	10%	6.3V	
C126	1-107-820-81	CERAMIC CHIP 0.1uF		16V		C182	1-165-989-11	CERAMIC CHIP 10uF	10%	6.3V	
C127	1-107-820-81	CERAMIC CHIP 0.1uF		16V		C183	1-165-989-11	CERAMIC CHIP 10uF	10%	6.3V	
C128	1-164-850-11	CERAMIC CHIP 10PF	0.5PF	50V		C184	1-107-820-81	CERAMIC CHIP 0.1uF		16V	
C129	1-112-746-11	CERAMIC CHIP 4.7uF	10%	6.3V		C185	1-107-820-81	CERAMIC CHIP 0.1uF		16V	
C130	1-107-820-81	CERAMIC CHIP 0.1uF		16V		C186	1-165-989-11	CERAMIC CHIP 10uF	10%	6.3V	
C131	1-164-850-11	CERAMIC CHIP 10PF	0.5PF	50V		C187	1-107-820-81	CERAMIC CHIP 0.1uF		16V	
C132	1-107-820-81	CERAMIC CHIP 0.1uF		16V		C188	1-107-820-81	CERAMIC CHIP 0.1uF		16V	
C133	1-112-746-11	CERAMIC CHIP 4.7uF	10%	6.3V		C189	1-165-989-11	CERAMIC CHIP 10uF	10%	6.3V	
C134	1-107-820-81	CERAMIC CHIP 0.1uF		16V		C190	1-107-820-81	CERAMIC CHIP 0.1uF		16V	
C135	1-164-878-11	CERAMIC CHIP 150PF	5%	50V		C191	1-107-820-81	CERAMIC CHIP 0.1uF		16V	
C136	1-164-878-11	CERAMIC CHIP 150PF	5%	50V		C192	1-125-777-11	CERAMIC CHIP 0.1uF	10%	10V	
C137	1-164-866-11	CERAMIC CHIP 47PF	5%	50V		C193	1-107-820-81	CERAMIC CHIP 0.1uF		16V	
C138	1-164-866-11	CERAMIC CHIP 47PF	5%	50V		C194	1-165-989-11	CERAMIC CHIP 10uF	10%	6.3V	
C139	1-165-884-11	CERAMIC CHIP 2.2uF	10%	6.3V		C195	1-165-989-11	CERAMIC CHIP 10uF	10%	6.3V	
C140	1-165-884-11	CERAMIC CHIP 2.2uF	10%	6.3V		C196	1-164-947-11	CERAMIC CHIP 0.01uF		50V	
C141	1-124-779-00	ELECT CHIP 10uF	20%	16V		C197	1-126-603-11	ELECT CHIP 4.7uF	20%	35V	
C142	1-107-820-81	CERAMIC CHIP 0.1uF		16V		C198	1-126-603-11	ELECT CHIP 4.7uF	20%	35V	
C143	1-112-746-11	CERAMIC CHIP 4.7uF	10%	6.3V		C199	1-164-937-11	CERAMIC CHIP 0.001uF	10%	50V	
C144	1-107-820-81	CERAMIC CHIP 0.1uF		16V		C200	1-164-937-11	CERAMIC CHIP 0.001uF	10%	50V	
C145	1-107-820-81	CERAMIC CHIP 0.1uF		16V		C203	1-114-214-81	CERAMIC CHIP 470PF	5%	50V	
C146	1-126-205-11	ELECT CHIP 47uF	20%	6.3V		C204	1-114-214-81	CERAMIC CHIP 470PF	5%	50V	
C147	1-112-746-11	CERAMIC CHIP 4.7uF	10%	6.3V		C205	1-100-740-81	CERAMIC CHIP 390PF	5%	50V	
C148	1-107-820-81	CERAMIC CHIP 0.1uF		16V		C206	1-100-740-81	CERAMIC CHIP 390PF	5%	50V	
C149	1-164-878-11	CERAMIC CHIP 150PF	5%	50V		C207	1-164-947-11	CERAMIC CHIP 0.01uF		50V	
C150	1-164-878-11	CERAMIC CHIP 150PF	5%	50V		C208	1-128-995-21	ELECT CHIP 100uF	20%	10V	
C151	1-164-866-11	CERAMIC CHIP 47PF	5%	50V		C209	1-107-820-81	CERAMIC CHIP 0.1uF		16V	
C152	1-164-866-11	CERAMIC CHIP 47PF	5%	50V		C210	1-165-908-11	CERAMIC CHIP 1uF	10%	10V	
C153	1-124-779-00	ELECT CHIP 10uF	20%	16V		C211	1-107-820-81	CERAMIC CHIP 0.1uF		16V	
C154	1-107-820-81	CERAMIC CHIP 0.1uF		16V		C212	1-165-908-11	CERAMIC CHIP 1uF	10%	10V	
C155	1-107-820-81	CERAMIC CHIP 0.1uF		16V		C213	1-128-995-21	ELECT CHIP 100uF	20%	10V	
C156	1-124-779-00	ELECT CHIP 10uF	20%	16V		C215	1-128-995-21	ELECT CHIP 100uF	20%	10V	
C157	1-164-947-11	CERAMIC CHIP 0.01uF		50V		C217	1-164-937-11	CERAMIC CHIP 0.001uF	10%	50V	
C158	1-164-858-11	CERAMIC CHIP 22PF	5%	50V		C218	1-164-937-11	CERAMIC CHIP 0.001uF	10%	50V	
C159	1-164-878-11	CERAMIC CHIP 150PF	5%	50V		C219	1-128-995-21	ELECT CHIP 100uF	20%	10V	
C160	1-164-878-11	CERAMIC CHIP 150PF	5%	50V		C220	1-165-908-11	CERAMIC CHIP 1uF	10%	10V	
C161	1-124-779-00	ELECT CHIP 10uF	20%	16V		C221	1-165-908-11	CERAMIC CHIP 1uF	10%	10V	
C162	1-107-820-81	CERAMIC CHIP 0.1uF		16V		C222	1-128-995-21	ELECT CHIP 100uF	20%	10V	
C163	1-165-989-11	CERAMIC CHIP 10uF	10%	6.3V		C225	1-164-874-11	CERAMIC CHIP 100PF	5%	50V	
C164	1-107-820-81	CERAMIC CHIP 0.1uF		16V		C226	1-126-205-11	ELECT CHIP 47uF	20%	6.3V	
C165	1-164-866-11	CERAMIC CHIP 47PF	5%	50V		C227	1-126-205-11	ELECT CHIP 47uF	20%	6.3V	
						C228	1-126-204-11	ELECT CHIP 47uF	20%	16V	
						C229	1-126-204-11	ELECT CHIP 47uF	20%	16V	
						C239	1-112-300-91	CERAMIC CHIP 4.7uF	10%	10V	
						C240	1-112-300-91	CERAMIC CHIP 4.7uF	10%	10V	

SH-TAS

Ref. No.	Part No.	Description			Remark	Ref. No.	Part No.	Description			Remark
C241	1-112-300-91	CERAMIC CHIP	4.7uF	10%	10V	C641	1-125-777-11	CERAMIC CHIP	0.1uF	10%	10V
C242	1-112-300-91	CERAMIC CHIP	4.7uF	10%	10V	C643	1-125-777-11	CERAMIC CHIP	0.1uF	10%	10V
C247	1-164-866-11	CERAMIC CHIP	47PF	5%	50V	C644	1-165-989-11	CERAMIC CHIP	10uF	10%	6.3V
C248	1-164-866-11	CERAMIC CHIP	47PF	5%	50V	C645	1-125-777-11	CERAMIC CHIP	0.1uF	10%	10V
C249	1-164-866-11	CERAMIC CHIP	47PF	5%	50V	C646	1-165-989-11	CERAMIC CHIP	10uF	10%	6.3V
C250	1-164-866-11	CERAMIC CHIP	47PF	5%	50V	C648	1-165-989-11	CERAMIC CHIP	10uF	10%	6.3V
C251	1-164-878-11	CERAMIC CHIP	150PF	5%	50V	C649	1-125-777-11	CERAMIC CHIP	0.1uF	10%	10V
C252	1-164-878-11	CERAMIC CHIP	150PF	5%	50V	C650	1-125-777-11	CERAMIC CHIP	0.1uF	10%	10V
C253	1-164-878-11	CERAMIC CHIP	150PF	5%	50V	C651	1-125-777-11	CERAMIC CHIP	0.1uF	10%	10V
C254	1-164-878-11	CERAMIC CHIP	150PF	5%	50V	C652	1-164-845-11	CERAMIC CHIP	5PF	0.25PF	50V
C255	1-126-603-11	ELECT CHIP	4.7uF	20%	35V	C654	1-125-777-11	CERAMIC CHIP	0.1uF	10%	10V
C256	1-126-603-11	ELECT CHIP	4.7uF	20%	35V	C655	1-164-845-11	CERAMIC CHIP	5PF	0.25PF	50V
C257	1-128-995-21	ELECT CHIP	100uF	20%	10V	C656	1-125-777-11	CERAMIC CHIP	0.1uF	10%	10V
C258	1-165-908-11	CERAMIC CHIP	1uF	10%	10V	C657	1-125-777-11	CERAMIC CHIP	0.1uF	10%	10V
C259	1-165-908-11	CERAMIC CHIP	1uF	10%	10V	C659	1-125-777-11	CERAMIC CHIP	0.1uF	10%	10V
C260	1-128-995-21	ELECT CHIP	100uF	20%	10V	C660	1-125-777-11	CERAMIC CHIP	0.1uF	10%	10V
C272	1-100-567-81	CERAMIC CHIP	0.01uF	10%	25V	C662	1-125-777-11	CERAMIC CHIP	0.1uF	10%	10V
C278	1-107-820-81	CERAMIC CHIP	0.1uF		16V	C663	1-165-989-11	CERAMIC CHIP	10uF	10%	6.3V
C281	1-126-603-11	ELECT CHIP	4.7uF	20%	35V	C664	1-165-989-11	CERAMIC CHIP	10uF	10%	6.3V
C282	1-126-603-11	ELECT CHIP	4.7uF	20%	35V	C665	1-125-777-11	CERAMIC CHIP	0.1uF	10%	10V
C600	1-164-937-11	CERAMIC CHIP	0.001uF	10%	50V	C666	1-125-777-11	CERAMIC CHIP	0.1uF	10%	10V
C601	1-107-819-11	CERAMIC CHIP	0.022uF	10%	16V	C667	1-165-989-11	CERAMIC CHIP	10uF	10%	6.3V
C602	1-165-989-11	CERAMIC CHIP	10uF	10%	6.3V	C670	1-125-777-11	CERAMIC CHIP	0.1uF	10%	10V
C603	1-164-943-81	CERAMIC CHIP	0.01uF	10%	16V	C671	1-165-989-11	CERAMIC CHIP	10uF	10%	6.3V
C604	1-164-943-81	CERAMIC CHIP	0.01uF	10%	16V	C672	1-125-777-11	CERAMIC CHIP	0.1uF	10%	10V
C605	1-125-777-11	CERAMIC CHIP	0.1uF	10%	10V	C673	1-125-777-11	CERAMIC CHIP	0.1uF	10%	10V
C606	1-164-937-11	CERAMIC CHIP	0.001uF	10%	50V	C674	1-164-935-11	CERAMIC CHIP	470PF	10%	50V
C607	1-164-937-11	CERAMIC CHIP	0.001uF	10%	50V	C675	1-164-874-11	CERAMIC CHIP	100PF	5%	50V
C608	1-128-995-21	ELECT CHIP	100uF	20%	10V	C676	1-125-777-11	CERAMIC CHIP	0.1uF	10%	10V
C609	1-165-908-11	CERAMIC CHIP	1uF	10%	10V	C677	1-165-989-11	CERAMIC CHIP	10uF	10%	6.3V
C610	1-125-777-11	CERAMIC CHIP	0.1uF	10%	10V	C678	1-125-777-11	CERAMIC CHIP	0.1uF	10%	10V
C611	1-125-777-11	CERAMIC CHIP	0.1uF	10%	10V	C679	1-125-777-11	CERAMIC CHIP	0.1uF	10%	10V
C612	1-165-989-11	CERAMIC CHIP	10uF	10%	6.3V	C680	1-125-777-11	CERAMIC CHIP	0.1uF	10%	10V
C613	1-128-995-21	ELECT CHIP	100uF	20%	10V	C681	1-125-777-11	CERAMIC CHIP	0.1uF	10%	10V
C614	1-165-908-11	CERAMIC CHIP	1uF	10%	10V	C682	1-125-777-11	CERAMIC CHIP	0.1uF	10%	10V
C615	1-165-908-11	CERAMIC CHIP	1uF	10%	10V	C683	1-125-777-11	CERAMIC CHIP	0.1uF	10%	10V
C616	1-128-995-21	ELECT CHIP	100uF	20%	10V	C684	1-125-777-11	CERAMIC CHIP	0.1uF	10%	10V
C617	1-165-908-11	CERAMIC CHIP	1uF	10%	10V	C685	1-125-777-11	CERAMIC CHIP	0.1uF	10%	10V
C618	1-128-995-21	ELECT CHIP	100uF	20%	10V	C686	1-125-777-11	CERAMIC CHIP	0.1uF	10%	10V
C619	1-165-989-11	CERAMIC CHIP	10uF	10%	6.3V	C687	1-164-854-11	CERAMIC CHIP	15PF	5%	50V
C620	1-165-989-11	CERAMIC CHIP	10uF	10%	6.3V	C688	1-164-854-11	CERAMIC CHIP	15PF	5%	50V
C621	1-125-777-11	CERAMIC CHIP	0.1uF	10%	10V	C689	1-165-989-11	CERAMIC CHIP	10uF	10%	6.3V
C622	1-125-777-11	CERAMIC CHIP	0.1uF	10%	10V	C690	1-165-989-11	CERAMIC CHIP	10uF	10%	6.3V
C623	1-125-777-11	CERAMIC CHIP	0.1uF	10%	10V	C691	1-165-989-11	CERAMIC CHIP	10uF	10%	6.3V
C624	1-125-777-11	CERAMIC CHIP	0.1uF	10%	10V	C692	1-165-989-11	CERAMIC CHIP	10uF	10%	6.3V
C625	1-125-777-11	CERAMIC CHIP	0.1uF	10%	10V	C693	1-165-989-11	CERAMIC CHIP	10uF	10%	6.3V
C626	1-125-777-11	CERAMIC CHIP	0.1uF	10%	10V	C694	1-165-989-11	CERAMIC CHIP	10uF	10%	6.3V
C627	1-125-777-11	CERAMIC CHIP	0.1uF	10%	10V	C695	1-164-937-11	CERAMIC CHIP	0.001uF	10%	50V
C628	1-125-777-11	CERAMIC CHIP	0.1uF	10%	10V	C696	1-165-989-11	CERAMIC CHIP	10uF	10%	6.3V
C629	1-125-777-11	CERAMIC CHIP	0.1uF	10%	10V	C697	1-125-777-11	CERAMIC CHIP	0.1uF	10%	10V
C630	1-128-995-21	ELECT CHIP	100uF	20%	10V	C698	1-164-858-11	CERAMIC CHIP	22PF	5%	50V
C631	1-165-908-11	CERAMIC CHIP	1uF	10%	10V	C699	1-164-850-11	CERAMIC CHIP	10PF	0.5PF	50V
C632	1-165-908-11	CERAMIC CHIP	1uF	10%	10V	C700	1-125-777-11	CERAMIC CHIP	0.1uF	10%	10V
C633	1-125-777-11	CERAMIC CHIP	0.1uF	10%	10V	C701	1-125-777-11	CERAMIC CHIP	0.1uF	10%	10V
C634	1-128-995-21	ELECT CHIP	100uF	20%	10V	C702	1-165-989-11	CERAMIC CHIP	10uF	10%	6.3V
C635	1-125-777-11	CERAMIC CHIP	0.1uF	10%	10V	C703	1-125-777-11	CERAMIC CHIP	0.1uF	10%	10V
C637	1-125-777-11	CERAMIC CHIP	0.1uF	10%	10V	C704	1-125-777-11	CERAMIC CHIP	0.1uF	10%	10V
C638	1-165-989-11	CERAMIC CHIP	10uF	10%	6.3V	C705	1-164-937-11	CERAMIC CHIP	0.001uF	10%	50V
C639	1-125-777-11	CERAMIC CHIP	0.1uF	10%	10V	C706	1-125-777-11	CERAMIC CHIP	0.1uF	10%	10V
C640	1-165-989-11	CERAMIC CHIP	10uF	10%	6.3V	C709	1-125-777-11	CERAMIC CHIP	0.1uF	10%	10V

Ref. No.	Part No.	Description	Remark	Ref. No.	Part No.	Description	Remark
C710	1-125-777-11	CERAMIC CHIP 0.1uF 10%	10V	IC608	6-713-656-01	IC TPS2052BDR	
C711	1-125-777-11	CERAMIC CHIP 0.1uF 10%	10V	IC609	6-714-736-01	IC MX29LV160DBTI-70G-ZTX-110	
C712	1-165-989-11	CERAMIC CHIP 10uF 10%	6.3V			< RESISTOR >	
C713	1-125-777-11	CERAMIC CHIP 0.1uF 10%	10V	R101	1-218-941-81	METAL CHIP 100 5%	1/16W
C714	1-125-777-11	CERAMIC CHIP 0.1uF 10%	10V	R102	1-216-809-11	METAL CHIP 100 5%	1/10W
C715	1-125-777-11	CERAMIC CHIP 0.1uF 10%	10V	R103	1-218-941-81	METAL CHIP 100 5%	1/16W
C716	1-165-989-11	CERAMIC CHIP 10uF 10%	6.3V	R104	1-216-809-11	METAL CHIP 100 5%	1/10W
C717	1-165-989-11	CERAMIC CHIP 10uF 10%	6.3V	R105	1-216-838-11	METAL CHIP 27K 5%	1/10W
C718	1-125-777-11	CERAMIC CHIP 0.1uF 10%	10V	R106	1-216-838-11	METAL CHIP 27K 5%	1/10W
C719	1-125-777-11	CERAMIC CHIP 0.1uF 10%	10V	R107	1-216-838-11	METAL CHIP 27K 5%	1/10W
C720	1-125-777-11	CERAMIC CHIP 0.1uF 10%	10V	R108	1-216-838-11	METAL CHIP 27K 5%	1/10W
C723	1-125-777-11	CERAMIC CHIP 0.1uF 10%	10V	R117	1-220-199-81	METAL CHIP 24K 5%	1/16W
C724	1-164-937-11	CERAMIC CHIP 0.001uF 10%	50V	R118	1-216-864-11	SHORT CHIP 0	
C725	1-125-777-11	CERAMIC CHIP 0.1uF 10%	10V	R119	1-216-797-11	METAL CHIP 10 5%	1/10W
C726	1-125-777-11	CERAMIC CHIP 0.1uF 10%	10V	R120	1-218-945-11	METAL CHIP 220 5%	1/16W
C727	1-128-995-21	ELECT CHIP 100uF 20%	10V	R121	1-218-945-11	METAL CHIP 220 5%	1/16W
C728	1-128-995-21	ELECT CHIP 100uF 20%	10V	R122	1-218-989-11	METAL CHIP 1M 5%	1/16W
C731	1-165-989-11	CERAMIC CHIP 10uF 10%	6.3V	R123	1-216-841-11	METAL CHIP 47K 5%	1/10W
C732	1-125-777-11	CERAMIC CHIP 0.1uF 10%	10V	R124	1-218-941-81	METAL CHIP 100 5%	1/16W
C735	1-126-210-21	ELECT CHIP 220uF 20%	4V	R125	1-218-941-81	METAL CHIP 100 5%	1/16W
C736	1-126-210-21	ELECT CHIP 220uF 20%	4V	R126	1-218-965-11	METAL CHIP 10K 5%	1/16W
		< CONNECTOR >		R128	1-218-957-11	METAL CHIP 2.2K 5%	1/16W
CN101	1-784-879-51	CONNECTOR, FFC (LIF(NON-ZIF)) 31P		R129	1-218-957-11	METAL CHIP 2.2K 5%	1/16W
CN600	1-784-833-51	CONNECTOR, FFC (LIF(NON-ZIF)) 21P		R130	1-218-965-11	METAL CHIP 10K 5%	1/16W
CN601	1-784-865-51	CONNECTOR, FFC (LIF(NON-ZIF)) 13P		R131	1-218-970-11	METAL CHIP 27K 5%	1/16W
CN602	1-778-795-21	PIN, CONNECTOR (PC BOARD) 9P		R132	1-218-970-11	METAL CHIP 27K 5%	1/16W
CN603	1-774-731-21	PIN, CONNECTOR (PC BOARD) 5P		R133	1-218-970-11	METAL CHIP 27K 5%	1/16W
CN604	1-774-731-21	PIN, CONNECTOR (PC BOARD) 5P		R134	1-218-970-11	METAL CHIP 27K 5%	1/16W
		< DIODE >		R135	1-218-965-11	METAL CHIP 10K 5%	1/16W
D600	6-500-848-01	DIODE MC2840-T112-1		R136	1-218-965-11	METAL CHIP 10K 5%	1/16W
D601	6-500-848-01	DIODE MC2840-T112-1		R137	1-218-933-11	METAL CHIP 22 5%	1/16W
D602	6-500-848-01	DIODE MC2840-T112-1		R138	1-216-864-11	SHORT CHIP 0	
D603	6-500-848-01	DIODE MC2840-T112-1		R139	1-218-970-11	METAL CHIP 27K 5%	1/16W
		< IC >		R140	1-218-970-11	METAL CHIP 27K 5%	1/16W
IC101	6-712-974-01	IC CXD9926ATQ		R141	1-218-970-11	METAL CHIP 27K 5%	1/16W
IC102	8-759-278-58	IC NJM4558V-TE2		R142	1-218-970-11	METAL CHIP 27K 5%	1/16W
IC103	6-708-746-01	IC NJM2741F3(TE1)		R143	1-218-965-11	METAL CHIP 10K 5%	1/16W
IC104	8-759-591-61	IC TC7WHU04FU(TE12R)		R144	1-218-965-11	METAL CHIP 10K 5%	1/16W
IC105	6-703-636-01	IC NJM13403V(TE2)		R145	1-218-965-11	METAL CHIP 10K 5%	1/16W
IC106	8-759-680-48	IC TC7WH157FK(TE85R)		R146	1-218-965-11	METAL CHIP 10K 5%	1/16W
IC107	8-759-698-31	IC TC7WH74FK(TE85R)		R147	1-218-970-11	METAL CHIP 27K 5%	1/16W
IC108	6-713-862-01	IC AK4388AET-E2		R148	1-218-970-11	METAL CHIP 27K 5%	1/16W
IC109	6-710-554-01	IC PCM1808PWR		R149	1-218-970-11	METAL CHIP 27K 5%	1/16W
IC110	8-759-082-58	IC TC7W08FU		R150	1-218-970-11	METAL CHIP 27K 5%	1/16W
IC111	6-710-554-01	IC PCM1808PWR		R151	1-218-941-81	METAL CHIP 100 5%	1/16W
IC112	8-759-278-58	IC NJM4558V-TE2		R152	1-218-941-81	METAL CHIP 100 5%	1/16W
IC113	6-708-742-01	IC MM1663DTRE		R153	1-218-941-81	METAL CHIP 100 5%	1/16W
IC114	6-713-873-01	IC MM1665ATRE		R154	1-218-941-81	METAL CHIP 100 5%	1/16W
IC115	6-708-742-01	IC MM1663DTRE		R155	1-218-941-81	METAL CHIP 100 5%	1/16W
IC600	6-709-054-01	IC CS8416-CZZR		R156	1-218-933-11	METAL CHIP 22 5%	1/16W
IC601	6-708-742-01	IC MM1663DTRE		R157	1-218-933-11	METAL CHIP 22 5%	1/16W
IC602	6-710-288-01	IC MM1701CTRE		R159	1-216-295-91	SHORT CHIP 0	
IC603	6-708-742-01	IC MM1663DTRE		R160	1-218-953-11	METAL CHIP 1K 5%	1/16W
IC604	6-700-599-01	IC TC7SA08FU(TE85R)		R161	1-218-933-11	METAL CHIP 22 5%	1/16W
IC605	6-713-558-01	IC R5S72630P200FP		R162	1-216-801-11	METAL CHIP 22 5%	1/10W
IC606	6-714-034-01	IC USB2512A-AEZG		R163	1-218-989-11	METAL CHIP 1M 5%	1/16W
IC607	6-713-418-01	IC W9812G6IH-75-ER10		R164	1-218-933-11	METAL CHIP 22 5%	1/16W
				R165	1-218-953-11	METAL CHIP 1K 5%	1/16W
				R166	1-218-990-81	SHORT CHIP 0	

HCD-ZUX999

SH-TAS

Ref. No.	Part No.	Description	Remark	Ref. No.	Part No.	Description	Remark
R168	1-218-973-11	METAL CHIP	47K 5%	1/16W	R237	1-216-864-11	SHORT CHIP 0
R169	1-218-973-11	METAL CHIP	47K 5%	1/16W	R238	1-218-941-81	METAL CHIP 100 5% 1/16W
R170	1-218-969-11	METAL CHIP	22K 5%	1/16W	R239	1-218-941-81	METAL CHIP 100 5% 1/16W
R171	1-216-797-11	METAL CHIP	10 5%	1/10W	R240	1-218-941-81	METAL CHIP 100 5% 1/16W
R172	1-218-933-11	METAL CHIP	22 5%	1/16W	R242	1-216-295-91	SHORT CHIP 0
R173	1-218-941-81	METAL CHIP	100 5%	1/16W	R243	1-218-990-81	SHORT CHIP 0
R174	1-216-797-11	METAL CHIP	10 5%	1/10W	R247	1-218-990-81	SHORT CHIP 0
R175	1-218-977-11	METAL CHIP	100K 5%	1/16W	R248	1-218-990-81	SHORT CHIP 0
R176	1-218-969-11	METAL CHIP	22K 5%	1/16W	R251	1-218-990-81	SHORT CHIP 0
R177	1-218-957-11	METAL CHIP	2.2K 5%	1/16W	R252	1-218-990-81	SHORT CHIP 0
R178	1-216-797-11	METAL CHIP	10 5%	1/10W	R253	1-218-990-81	SHORT CHIP 0
R179	1-218-957-11	METAL CHIP	2.2K 5%	1/16W	R254	1-218-990-81	SHORT CHIP 0
R180	1-218-977-11	METAL CHIP	100K 5%	1/16W	R255	1-218-969-11	METAL CHIP 22K 5% 1/16W
R181	1-218-977-11	METAL CHIP	100K 5%	1/16W	R256	1-218-969-11	METAL CHIP 22K 5% 1/16W
R182	1-218-965-11	METAL CHIP	10K 5%	1/16W	R257	1-218-969-11	METAL CHIP 22K 5% 1/16W
R183	1-218-973-11	METAL CHIP	47K 5%	1/16W	R258	1-218-969-11	METAL CHIP 22K 5% 1/16W
R184	1-218-973-11	METAL CHIP	47K 5%	1/16W	R259	1-218-967-11	METAL CHIP 15K 5% 1/16W
R185	1-218-990-81	SHORT CHIP	0		R260	1-218-967-11	METAL CHIP 15K 5% 1/16W
R186	1-218-990-81	SHORT CHIP	0		R261	1-218-965-11	METAL CHIP 10K 5% 1/16W
R187	1-218-990-81	SHORT CHIP	0		R262	1-218-965-11	METAL CHIP 10K 5% 1/16W
R188	1-218-990-81	SHORT CHIP	0		R264	1-218-973-11	METAL CHIP 47K 5% 1/16W
R190	1-218-990-81	SHORT CHIP	0		R267	1-218-969-11	METAL CHIP 22K 5% 1/16W
R192	1-218-990-81	SHORT CHIP	0		R268	1-218-969-11	METAL CHIP 22K 5% 1/16W
R194	1-216-797-11	METAL CHIP	10 5%	1/10W	R269	1-216-864-11	SHORT CHIP 0
R195	1-216-797-11	METAL CHIP	10 5%	1/10W	R270	1-216-833-11	METAL CHIP 10K 5% 1/10W
R196	1-216-797-11	METAL CHIP	10 5%	1/10W	R271	1-216-295-91	SHORT CHIP 0
R197	1-216-797-11	METAL CHIP	10 5%	1/10W	R272	1-216-295-91	SHORT CHIP 0
R198	1-218-933-11	METAL CHIP	22 5%	1/16W	R273	1-216-295-91	SHORT CHIP 0
R199	1-218-965-11	METAL CHIP	10K 5%	1/16W	R274	1-216-295-91	SHORT CHIP 0
R200	1-216-797-11	METAL CHIP	10 5%	1/10W	R276	1-216-295-91	SHORT CHIP 0
R201	1-218-933-11	METAL CHIP	22 5%	1/16W	R277	1-216-295-91	SHORT CHIP 0
R203	1-216-797-11	METAL CHIP	10 5%	1/10W	R278	1-218-969-11	METAL CHIP 22K 5% 1/16W
R204	1-218-933-11	METAL CHIP	22 5%	1/16W	R283	1-218-953-11	METAL CHIP 1K 5% 1/16W
R205	1-218-941-81	METAL CHIP	100 5%	1/16W	R284	1-218-953-11	METAL CHIP 1K 5% 1/16W
R206	1-218-941-81	METAL CHIP	100 5%	1/16W	R285	1-216-864-11	SHORT CHIP 0
R208	1-218-990-81	SHORT CHIP	0		R286	1-216-864-11	SHORT CHIP 0
R209	1-218-933-11	METAL CHIP	22 5%	1/16W	R291	1-216-295-91	SHORT CHIP 0
R211	1-218-990-81	SHORT CHIP	0		R292	1-216-864-11	SHORT CHIP 0
R213	1-218-969-11	METAL CHIP	22K 5%	1/16W	R293	1-216-295-91	SHORT CHIP 0
R214	1-218-969-11	METAL CHIP	22K 5%	1/16W	R294	1-216-864-11	SHORT CHIP 0
R215	1-218-953-11	METAL CHIP	1K 5%	1/16W	R295	1-216-295-91	SHORT CHIP 0
R216	1-218-953-11	METAL CHIP	1K 5%	1/16W	R296	1-216-864-11	SHORT CHIP 0
R217	1-218-953-11	METAL CHIP	1K 5%	1/16W	R297	1-208-683-11	METAL CHIP 1K 0.5% 1/16W
R218	1-218-953-11	METAL CHIP	1K 5%	1/16W	R600	1-216-864-11	SHORT CHIP 0
R219	1-218-963-11	METAL CHIP	6.8K 5%	1/16W	R601	1-218-941-81	METAL CHIP 100 5% 1/16W
R220	1-218-963-11	METAL CHIP	6.8K 5%	1/16W	R602	1-218-990-81	SHORT CHIP 0
R221	1-218-958-11	METAL CHIP	2.7K 5%	1/16W	R603	1-218-953-11	METAL CHIP 1K 5% 1/16W
R222	1-218-958-11	METAL CHIP	2.7K 5%	1/16W	R604	1-218-953-11	METAL CHIP 1K 5% 1/16W
R223	1-218-960-11	METAL CHIP	3.9K 5%	1/16W	R605	1-218-953-11	METAL CHIP 1K 5% 1/16W
R224	1-218-960-11	METAL CHIP	3.9K 5%	1/16W	R606	1-218-973-11	METAL CHIP 47K 5% 1/16W
R225	1-218-961-11	METAL CHIP	4.7K 5%	1/16W	R607	1-218-941-81	METAL CHIP 100 5% 1/16W
R226	1-218-961-11	METAL CHIP	4.7K 5%	1/16W	R608	1-218-961-11	METAL CHIP 4.7K 5% 1/16W
R228	1-218-953-11	METAL CHIP	1K 5%	1/16W	R609	1-218-961-11	METAL CHIP 4.7K 5% 1/16W
R229	1-216-825-11	METAL CHIP	2.2K 5%	1/10W	R610	1-216-864-11	SHORT CHIP 0
R230	1-216-825-11	METAL CHIP	2.2K 5%	1/10W	R611	1-218-961-11	METAL CHIP 4.7K 5% 1/16W
R232	1-216-797-11	METAL CHIP	10 5%	1/10W	R612	1-218-941-81	METAL CHIP 100 5% 1/16W
R233	1-218-973-11	METAL CHIP	47K 5%	1/16W	R613	1-218-965-11	METAL CHIP 10K 5% 1/16W
R234	1-216-864-11	SHORT CHIP	0		R614	1-218-973-11	METAL CHIP 47K 5% 1/16W
R235	1-218-973-11	METAL CHIP	47K 5%	1/16W	R615	1-218-973-11	METAL CHIP 47K 5% 1/16W
R236	1-216-295-91	SHORT CHIP	0		R616	1-218-973-11	METAL CHIP 47K 5% 1/16W

Ref. No.	Part No.	Description			Remark	Ref. No.	Part No.	Description			Remark
R617	1-218-973-11	METAL CHIP	47K	5%	1/16W	R682	1-218-965-11	METAL CHIP	10K	5%	1/16W
R618	1-218-973-11	METAL CHIP	47K	5%	1/16W	R683	1-218-965-11	METAL CHIP	10K	5%	1/16W
R619	1-218-961-11	METAL CHIP	4.7K	5%	1/16W	R684	1-218-965-11	METAL CHIP	10K	5%	1/16W
R621	1-218-961-11	METAL CHIP	4.7K	5%	1/16W	R685	1-218-941-81	METAL CHIP	100	5%	1/16W
R622	1-218-953-11	METAL CHIP	1K	5%	1/16W	R686	1-216-864-11	SHORT CHIP	0		
R623	1-216-864-11	SHORT CHIP	0			R687	1-218-965-11	METAL CHIP	10K	5%	1/16W
R624	1-218-941-81	METAL CHIP	100	5%	1/16W	R688	1-208-683-11	METAL CHIP	1K	0.5%	1/16W
R625	1-218-941-81	METAL CHIP	100	5%	1/16W	R689	1-208-683-11	METAL CHIP	1K	0.5%	1/16W
R626	1-218-941-81	METAL CHIP	100	5%	1/16W	R690	1-218-941-81	METAL CHIP	100	5%	1/16W
R627	1-218-941-81	METAL CHIP	100	5%	1/16W	R691	1-218-965-11	METAL CHIP	10K	5%	1/16W
R628	1-218-941-81	METAL CHIP	100	5%	1/16W	R692	1-218-990-81	SHORT CHIP	0		
R629	1-218-941-81	METAL CHIP	100	5%	1/16W	R693	1-208-911-11	METAL CHIP	10K	0.5%	1/16W
R630	1-218-941-81	METAL CHIP	100	5%	1/16W	R694	1-218-989-11	METAL CHIP	1M	5%	1/16W
R631	1-218-941-81	METAL CHIP	100	5%	1/16W	R696	1-218-953-11	METAL CHIP	1K	5%	1/16W
R632	1-218-941-81	METAL CHIP	100	5%	1/16W	R697	1-218-965-11	METAL CHIP	10K	5%	1/16W
R633	1-218-941-81	METAL CHIP	100	5%	1/16W	R698	1-218-965-11	METAL CHIP	10K	5%	1/16W
R634	1-218-941-81	METAL CHIP	100	5%	1/16W	R699	1-218-965-11	METAL CHIP	10K	5%	1/16W
R635	1-218-941-81	METAL CHIP	100	5%	1/16W	R700	1-216-864-11	SHORT CHIP	0		
R636	1-218-953-11	METAL CHIP	1K	5%	1/16W	R701	1-218-965-11	METAL CHIP	10K	5%	1/16W
R637	1-216-295-91	SHORT CHIP	0			R702	1-218-965-11	METAL CHIP	10K	5%	1/16W
R638	1-216-295-91	SHORT CHIP	0			R703	1-218-941-81	METAL CHIP	100	5%	1/16W
R639	1-216-864-11	SHORT CHIP	0			R704	1-218-965-11	METAL CHIP	10K	5%	1/16W
R640	1-218-953-11	METAL CHIP	1K	5%	1/16W	R705	1-218-953-11	METAL CHIP	1K	5%	1/16W
R641	1-216-295-91	SHORT CHIP	0			R706	1-218-953-11	METAL CHIP	1K	5%	1/16W
R642	1-216-864-11	SHORT CHIP	0			R707	1-218-965-11	METAL CHIP	10K	5%	1/16W
R643	1-216-864-11	SHORT CHIP	0			R708	1-216-864-11	SHORT CHIP	0		
R644	1-216-864-11	SHORT CHIP	0			R709	1-218-990-81	SHORT CHIP	0		
R645	1-216-864-11	SHORT CHIP	0			R710	1-218-990-81	SHORT CHIP	0		
R646	1-218-961-11	METAL CHIP	4.7K	5%	1/16W	R711	1-216-295-91	SHORT CHIP	0		
R647	1-216-864-11	SHORT CHIP	0			R712	1-218-990-81	SHORT CHIP	0		
R648	1-218-961-11	METAL CHIP	4.7K	5%	1/16W	R713	1-218-990-81	SHORT CHIP	0		
R649	1-216-295-91	SHORT CHIP	0			R714	1-216-295-91	SHORT CHIP	0		
R650	1-216-295-91	SHORT CHIP	0			R715	1-216-295-91	SHORT CHIP	0		
R651	1-218-953-11	METAL CHIP	1K	5%	1/16W	R716	1-216-295-91	SHORT CHIP	0		
R652	1-216-864-11	SHORT CHIP	0			R717	1-218-965-11	METAL CHIP	10K	5%	1/16W
R653	1-216-864-11	SHORT CHIP	0			R718	1-218-965-11	METAL CHIP	10K	5%	1/16W
R654	1-218-990-81	SHORT CHIP	0			R719	1-218-965-11	METAL CHIP	10K	5%	1/16W
R655	1-208-905-11	METAL CHIP	5.6K	0.5%	1/16W	R728	1-218-961-11	METAL CHIP	4.7K	5%	1/16W
R656	1-216-864-11	SHORT CHIP	0			R729	1-218-965-11	METAL CHIP	10K	5%	1/16W
R658	1-216-864-11	SHORT CHIP	0			R730	1-218-965-11	METAL CHIP	10K	5%	1/16W
R659	1-218-941-81	METAL CHIP	100	5%	1/16W	R731	1-218-953-11	METAL CHIP	1K	5%	1/16W
R660	1-218-957-11	METAL CHIP	2.2K	5%	1/16W	R734	1-216-295-91	SHORT CHIP	0		
R661	1-218-949-11	METAL CHIP	470	5%	1/16W	R735	1-216-295-91	SHORT CHIP	0		
R664	1-218-965-11	METAL CHIP	10K	5%	1/16W	R736	1-216-295-91	SHORT CHIP	0		
R665	1-218-941-81	METAL CHIP	100	5%	1/16W	R737	1-218-990-81	SHORT CHIP	0		
R666	1-218-965-11	METAL CHIP	10K	5%	1/16W	R738	1-218-990-81	SHORT CHIP	0		
R667	1-218-941-81	METAL CHIP	100	5%	1/16W	R739	1-216-829-11	METAL CHIP	4.7K	5%	1/10W
R668	1-218-933-11	METAL CHIP	22	5%	1/16W	R740	1-216-829-11	METAL CHIP	4.7K	5%	1/10W
R669	1-218-933-11	METAL CHIP	22	5%	1/16W						
R670	1-218-965-11	METAL CHIP	10K	5%	1/16W			< NETWORK RESISTOR >			
R671	1-218-989-11	METAL CHIP	1M	5%	1/16W	RB600	1-234-370-21	RES, NETWORK 22X4 (1005)			
R672	1-218-947-11	METAL CHIP	330	5%	1/16W	RB601	1-234-370-21	RES, NETWORK 22X4 (1005)			
R673	1-218-941-81	METAL CHIP	100	5%	1/16W	RB602	1-234-372-11	RES, NETWORK 100X4 (1005)			
R674	1-216-864-11	SHORT CHIP	0			RB603	1-234-370-21	RES, NETWORK 22X4 (1005)			
R675	1-218-990-81	SHORT CHIP	0			RB604	1-234-372-11	RES, NETWORK 100X4 (1005)			
R676	1-218-965-11	METAL CHIP	10K	5%	1/16W	RB605	1-234-370-21	RES, NETWORK 22X4 (1005)			
R678	1-218-965-11	METAL CHIP	10K	5%	1/16W	RB606	1-234-372-11	RES, NETWORK 100X4 (1005)			
R679	1-218-965-11	METAL CHIP	10K	5%	1/16W	RB607	1-234-370-21	RES, NETWORK 22X4 (1005)			
R680	1-218-933-11	METAL CHIP	22	5%	1/16W	RB608	1-234-370-21	RES, NETWORK 22X4 (1005)			
R681	1-218-965-11	METAL CHIP	10K	5%	1/16W	RB609	1-234-370-21	RES, NETWORK 22X4 (1005)			

HCD-ZUX999

SH-TAS	SPEAKER TERMINAL	SUB PT
--------	------------------	--------

Ref. No.	Part No.	Description	Remark
RB610	1-234-370-21	RES, NETWORK 22X4 (1005)	
RB611	1-234-370-21	RES, NETWORK 22X4 (1005)	
RB612	1-234-370-21	RES, NETWORK 22X4 (1005)	
RB613	1-234-370-21	RES, NETWORK 22X4 (1005)	
RB614	1-234-370-21	RES, NETWORK 22X4 (1005)	
RB615	1-234-370-21	RES, NETWORK 22X4 (1005)	
RB616	1-234-370-21	RES, NETWORK 22X4 (1005)	
RB617	1-234-370-21	RES, NETWORK 22X4 (1005)	
< VIBRATOR >			
X101	1-814-106-21	VIBRATOR, CRYSTAL (24.576MHz)	
X102	1-795-535-21	VIBRATOR, CRYSTAL (11.2896MHz)	
X600	1-813-999-11	VIBRATOR, CRYSTAL (16.5MHz)	
X601	1-760-965-21	VIBRATOR, CRYSTAL (48MHz)	
X602	1-760-613-21	VIBRATOR, CRYSTAL (24MHz)	

SPEAKER TERMINAL BOARD *****			
< CAPACITOR >			
C001	1-136-497-81	FILM 0.1uF 5% 50V	
C002	1-136-497-81	FILM 0.1uF 5% 50V	
C003	1-136-497-81	FILM 0.1uF 5% 50V	
C004	1-136-497-81	FILM 0.1uF 5% 50V	
C005	1-136-497-81	FILM 0.1uF 5% 50V	
C006	1-136-497-81	FILM 0.1uF 5% 50V	
C007	1-136-497-81	FILM 0.1uF 5% 50V	
C008	1-136-497-81	FILM 0.1uF 5% 50V	
C009	1-162-960-11	CERAMIC CHIP 220PF 10% 50V	
C010	1-162-960-11	CERAMIC CHIP 220PF 10% 50V	
C011	1-162-960-11	CERAMIC CHIP 220PF 10% 50V	
C012	1-162-960-11	CERAMIC CHIP 220PF 10% 50V	
C018	1-164-156-11	CERAMIC CHIP 0.1uF 25V	
C019	1-164-156-11	CERAMIC CHIP 0.1uF 25V	
< CONNECTOR >			
* CN002	1-564-506-11	PLUG, CONNECTOR 3P	
CN004	1-779-277-11	CONNECTOR, FFC (LIF(NON-ZIF)) 9P	
CN005	1-779-546-11	CONNECTOR, FFC (LIF(NON-ZIF)) 9P	
* CN006	1-564-506-11	PLUG, CONNECTOR 3P	
< JACK >			
J001	1-778-940-11	JACK 2P (AUDIO IN 2)	
J002	1-778-940-11	JACK 2P (AUDIO IN 1)	
< COIL >			
L001	1-420-872-52	COIL, AIR-CORE	
L002	1-420-872-52	COIL, AIR-CORE	
L003	1-420-872-52	COIL, AIR-CORE	
L004	1-420-872-52	COIL, AIR-CORE	
< RESISTOR >			
R001	1-216-797-11	METAL CHIP 10 5% 1/10W	
R002	1-216-797-11	METAL CHIP 10 5% 1/10W	
R003	1-216-797-11	METAL CHIP 10 5% 1/10W	
R004	1-216-797-11	METAL CHIP 10 5% 1/10W	
R005	1-216-797-11	METAL CHIP 10 5% 1/10W	
R006	1-216-797-11	METAL CHIP 10 5% 1/10W	
R007	1-216-797-11	METAL CHIP 10 5% 1/10W	
R008	1-216-797-11	METAL CHIP 10 5% 1/10W	
R009	1-216-797-11	METAL CHIP 10 5% 1/10W	

Ref. No.	Part No.	Description	Remark
R010	1-216-797-11	METAL CHIP 10 5% 1/10W	
R011	1-216-797-11	METAL CHIP 10 5% 1/10W	
R012	1-216-797-11	METAL CHIP 10 5% 1/10W	
R013	1-216-797-11	METAL CHIP 10 5% 1/10W	
R014	1-216-797-11	METAL CHIP 10 5% 1/10W	
R015	1-216-797-11	METAL CHIP 10 5% 1/10W	
R016	1-216-797-11	METAL CHIP 10 5% 1/10W	
R017	1-216-797-11	METAL CHIP 10 5% 1/10W	
R018	1-216-797-11	METAL CHIP 10 5% 1/10W	
R019	1-216-797-11	METAL CHIP 10 5% 1/10W	
R020	1-216-797-11	METAL CHIP 10 5% 1/10W	
R021	1-216-797-11	METAL CHIP 10 5% 1/10W	
R022	1-216-797-11	METAL CHIP 10 5% 1/10W	
R023	1-216-797-11	METAL CHIP 10 5% 1/10W	
R024	1-216-797-11	METAL CHIP 10 5% 1/10W	
R025	1-216-797-11	METAL CHIP 10 5% 1/10W	
R026	1-216-797-11	METAL CHIP 10 5% 1/10W	
R027	1-216-797-11	METAL CHIP 10 5% 1/10W	
R028	1-216-797-11	METAL CHIP 10 5% 1/10W	
R029	1-216-797-11	METAL CHIP 10 5% 1/10W	
R030	1-216-797-11	METAL CHIP 10 5% 1/10W	
R031	1-216-797-11	METAL CHIP 10 5% 1/10W	
R032	1-216-797-11	METAL CHIP 10 5% 1/10W	
R033	1-216-845-11	METAL CHIP 100K 5% 1/10W	
R034	1-216-845-11	METAL CHIP 100K 5% 1/10W	
R035	1-216-845-11	METAL CHIP 100K 5% 1/10W	
R036	1-216-845-11	METAL CHIP 100K 5% 1/10W	
R037	1-216-821-11	METAL CHIP 1K 5% 1/10W	
R038	1-216-821-11	METAL CHIP 1K 5% 1/10W	
R039	1-216-821-11	METAL CHIP 1K 5% 1/10W	
R040	1-216-821-11	METAL CHIP 1K 5% 1/10W	
< TERMINAL BOARD >			
TB001	1-820-067-11	TERMINAL BOARD (SPEAKER) 4P (SPEAKER FRONT (SS-ZUX999 ONLY))	
TB002	1-820-067-11	TERMINAL BOARD (SPEAKER) 4P (SPEAKER REAR (SS-ZUX999 ONLY))	

SUB PT BOARD *****			
< CAPACITOR >			
C801	1-126-942-61	ELECT 1000uF 20% 25V	
C802	1-126-963-11	ELECT 4.7uF 20% 50V	
< CONNECTOR >			
* CN801	1-793-660-11	PIN, CONNECTOR (PC BOARD) 3P	
* CN803	1-564-687-11	PIN, CONNECTOR (3.96mm PITCH) 3P	
* CN805	1-695-294-11	PIN, CONNECTOR (PC BOARD) 6P	
< DIODE >			
D800	6-500-334-01	DIODE MC2836-T112-1	
D801	6-500-335-01	DIODE MC2838-T112-1	
D802	6-500-335-01	DIODE MC2838-T112-1	
D803	6-501-817-01	DIODE MA2J1110GLS0	
< TRANSISTOR >			
Q800	8-729-620-07	TRANSISTOR 2SC3052EF-T1-LEF	

SUB PT SW USB-A USB-B X-ROUND JOG

Ref. No.	Part No.	Description	Remark	Ref. No.	Part No.	Description	Remark
		< RESISTOR >				USB-B BOARD *****	
R800	1-216-841-11	METAL CHIP	47K 5% 1/10W			< CAPACITOR >	
R801	1-218-867-11	METAL CHIP	6.8K 0.5% 1/10W				
R801	1-216-835-11	METAL CHIP	15K 5% 1/10W (EXCEPT MX) (MX)	C1508	1-126-176-11	ELECT 220uF 20% 10V	
R802	1-216-838-11	METAL CHIP	27K 5% 1/10W	C1509	1-115-339-11	CERAMIC CHIP 0.1uF 10% 50V	
R803	1-216-825-11	METAL CHIP	2.2K 5% 1/10W	C1510	1-164-360-11	CERAMIC CHIP 0.1uF 16V	
R804	1-216-845-11	METAL CHIP	100K 5% 1/10W			< CONNECTOR >	
R805	1-216-801-11	METAL CHIP	22 5% 1/10W (MX)	CN1508	1-819-866-11	CONNECTOR, USB (A) 4P (USB 2)	
R805	1-216-864-11	SHORT CHIP	0 (EXCEPT MX)			< DIODE >	
R806	1-216-801-11	METAL CHIP	22 5% 1/10W (MX)	D1511	6-500-335-01	DIODE MC2838-T112-1	
R806	1-216-864-11	SHORT CHIP	0 (EXCEPT MX)	D1514	6-502-803-01	LED SELG6E14CTP5 (USB 2)	
		< RELAY >		D1515	6-501-691-01	LED 1L434FV22D0TDF01 (USB 2)	
△ RY800	1-755-496-11	RELAY		D1516	6-500-335-01	DIODE MC2838-T112-1	
		< VOLTAGE SELECTOR >				< RESISTOR >	
△ S800	1-786-408-11	SELECTOR, VOLTAGE (SWS-2301) (VOLTAGE SELECTOR) (E2,E3,E51)		R1509	1-216-813-11	METAL CHIP 220 5% 1/10W	
		< TRANSFORMER >		R1510	1-216-818-11	METAL CHIP 560 5% 1/10W	
△ T800	1-445-650-11	TRANSFORMER, POWER (SUB)		R1511	1-216-813-11	METAL CHIP 220 5% 1/10W	
		*****		R1512	1-216-818-11	METAL CHIP 560 5% 1/10W	
	1-687-669-12	SW BOARD *****		*****			
		< SWITCH >				X-ROUND JOG BOARD *****	
S751	1-786-514-11	SWITCH, LEVER (SLIDE) (OPEN/CLOSE DETECT)				< CONNECTOR >	
		*****		CN1301	1-564-722-11	PIN, CONNECTOR (SMALL TYPE) 6P	
		USB-A BOARD *****				< DIODE >	
		< CAPACITOR >		D1301	6-502-840-01	LED SDPB31L3C0100-A (OPERATION JOG ILLUMINATION)	
C1499	1-126-176-11	ELECT 220uF 20% 10V		D1302	6-502-840-01	LED SDPB31L3C0100-A (OPERATION JOG ILLUMINATION)	
C1500	1-115-339-11	CERAMIC CHIP 0.1uF 10% 50V		D1303	6-502-840-01	LED SDPB31L3C0100-A (OPERATION JOG ILLUMINATION)	
C1501	1-164-360-11	CERAMIC CHIP 0.1uF 16V		D1304	6-502-840-01	LED SDPB31L3C0100-A (OPERATION JOG ILLUMINATION)	
		< CONNECTOR >		D1305	6-502-840-01	LED SDPB31L3C0100-A (OPERATION JOG ILLUMINATION)	
CN1499	1-819-866-11	CONNECTOR, USB (A) 4P (USB 1)		D1306	6-502-840-01	LED SDPB31L3C0100-A (OPERATION JOG ILLUMINATION)	
		< DIODE >		D1307	6-501-817-01	DIODE MA2J1110GLS0	
D1504	6-500-335-01	DIODE MC2838-T112-1		D1308	6-501-817-01	DIODE MA2J1110GLS0	
D1505	6-502-803-01	LED SELG6E14CTP5 (USB 1)		D1309	6-501-817-01	DIODE MA2J1110GLS0	
D1506	6-501-817-01	DIODE MA2J1110GLS0				< RESISTOR >	
		< RESISTOR >		R1301	1-216-833-11	METAL CHIP 10K 5% 1/10W	
R1499	1-216-813-11	METAL CHIP 220 5% 1/10W		R1305	1-216-800-11	METAL CHIP 18 5% 1/10W	
R1500	1-216-813-11	METAL CHIP 220 5% 1/10W		R1306	1-216-800-11	METAL CHIP 18 5% 1/10W	
		*****		R1307	1-216-800-11	METAL CHIP 18 5% 1/10W	
						< ROTARY ENCODER >	
				S1301	1-487-417-11	ENCODER, ROTARY (OPERATION JOG)	

HCD-ZUX999

Ref. No.	Part No.	Description	Remark
		MISCELLANEOUS *****	
102	1-880-507-11	SH BOARD FFC PWB	
103	1-837-218-11	WIRE (FLAT TYPE) (21 CORE)	
104	1-837-219-11	WIRE (FLAT TYPE) (31 CORE)	
109	1-837-221-11	WIRE (FLAT TYPE) (17 CORE)	
110	1-828-971-11	WIRE (FLAT TYPE) (13 CORE)	
111	1-880-506-11	MAIN TO PANEL FFC PWB	
113	1-837-216-11	WIRE (FLAT TYPE) (31 CORE)	
155	1-457-368-11	CORE, FERRITE	
205	1-837-243-11	WIRE (FLAT TYPE) (13 CORE)	
252	1-837-214-11	WIRE (FLAT TYPE) (13 CORE)	
255	1-837-217-11	WIRE (FLAT TYPE) (9 CORE)	
256	1-837-215-11	WIRE (FLAT TYPE) (19 CORE)	
257	1-837-213-11	WIRE (FLAT TYPE) (9 CORE)	
259	1-457-368-11	CORE, FERRITE	
260	1-457-369-12	CORE, FERRITE	
△ 262	1-777-071-23	CORD, POWER (E2,E3,E51)	
△ 262	1-783-820-11	CORD, POWER (MX)	
△ 263	1-569-008-21	ADAPTOR, CONVERSION (E2,E3,E51)	
302	1-828-938-51	WIRE (FLAT TYPE) (5 CORE)	
△ 371	8-820-272-02	OPTICAL PICK-UP (KSM-215DHAP/C2RP)	
372	1-834-268-11	WIRE (FLAT TYPE) (16 CORE)	
374	1-471-035-21	MAGNET	
△ F821	1-576-332-33	FUSE, CYLINDRICAL (TIME LAG) (T10AL/250V)	
△ F823	1-576-332-33	FUSE, CYLINDRICAL (TIME LAG) (T10AL/250V)	
△ F825	1-576-332-33	FUSE, CYLINDRICAL (TIME LAG) (T10AL/250V)	
△ F827	1-576-332-33	FUSE, CYLINDRICAL (TIME LAG) (T10AL/250V)	
△ F829	1-532-504-33	FUSE (4A/250V)	
FAN901	1-763-372-11	FAN, DC	
FAN902	1-763-372-11	FAN, DC	
FAN903	1-787-344-11	FAN, DC	
M741	A-1108-965-A	MOTOR ASSY, TABLE (TABLE)	
M751	A-1108-966-A	MOTOR ASSY, LOADING (LOADING)	
RE701	1-477-680-12	ENCODER, ROTARY (DISC TRAY ADDRESS DETECT)	
S201	1-771-853-11	SWITCH, DETECTION (LIMIT IN)	
△ T821	1-445-645-11	TRANSFORMER, POWER (MAIN) (E2,E3,E51)	
△ T821	1-445-646-11	TRANSFORMER, POWER (MAIN) (MX)	
TU901	1-693-778-11	TUNER (FM/AM) (ANTENNA)	

MEMO

